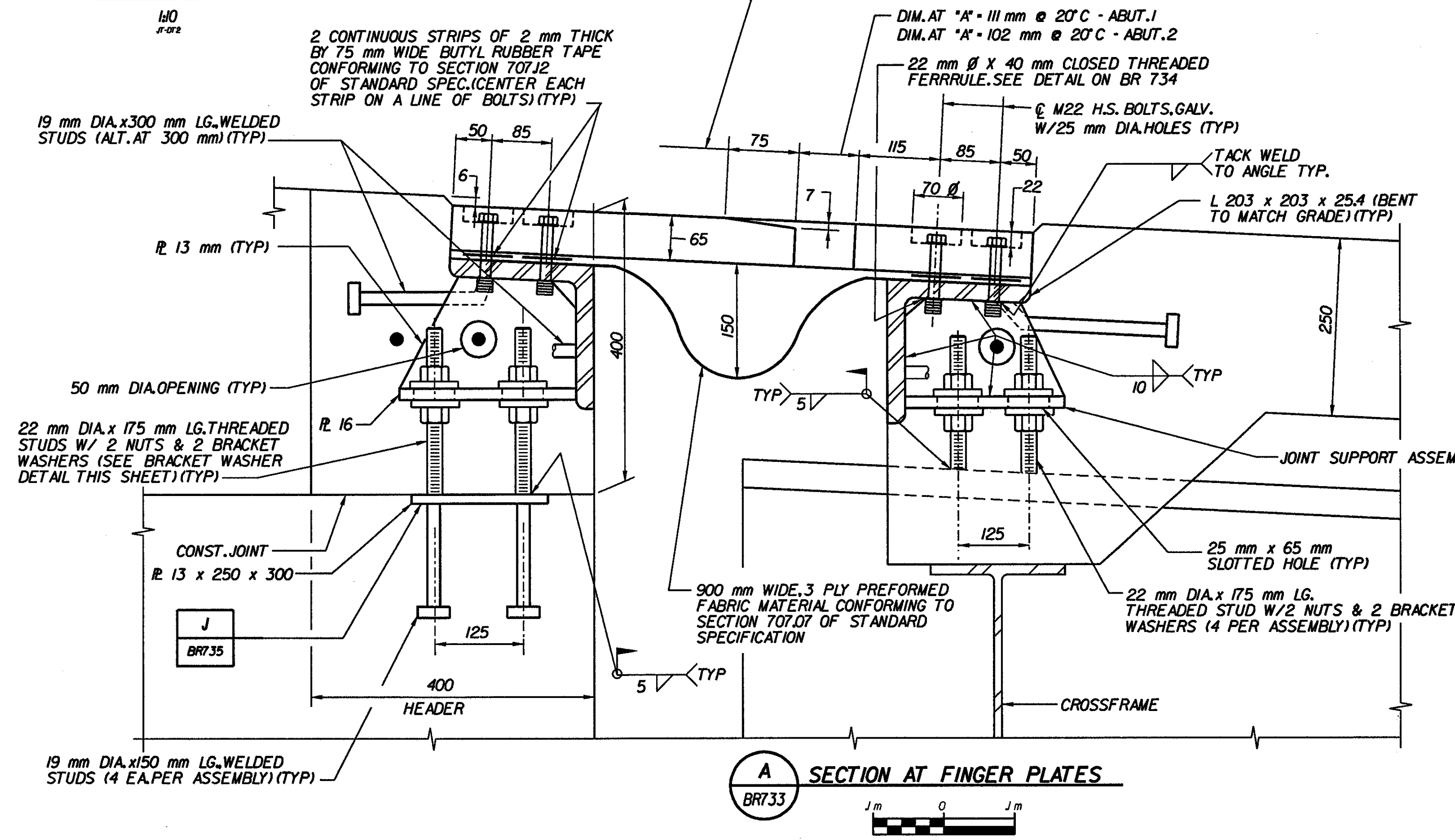


BRIDGE EXPANSION JOINT NOTES:

1. EXPANSION JOINTS SHALL MEET THE REQUIREMENTS OF SECTION 516, EXPANSION DEVICES AND PAID AS ITEM 516J0. BRIDGE EXPANSION JOINT (FINGER JOINT). ALL STRUCTURAL STEEL FOR THE BRIDGE EXPANSION JOINTS SHALL BE AASHTO M270/M 270M, GRADE 250 GALVANIZED OR METALIZED. HIGH STRENGTH BOLTS SHALL CONFORM TO AASHTO M 164M (ASTM A325M). NUTS - AASHTO M 294/M 294M AND AASHTO M 291M PER SUBSECTION 714.05. THREADED RODS, BOLTS, NUTS AND FERRULES SHALL CONFORM TO SUBSECTION 714.04.
2. THE 65 mm THICK EXPANSION JOINT PLATES SHALL BE CUT FROM 65 mm x 680 mm AND 730 mm PLATE AND FURNISHED IN 40 m (MAX.) LENGTHS. THE FABRIC TROUGH SHALL BE CONTINUOUS PREFORMED FABRIC MATERIAL CONFORMING TO SECTION 707.07 OF STANDARD SPECIFICATION.
3. THE CURB PLATES SHALL BE AASHTO M270/M 270M, GRADE 250 GALVANIZED OR METALIZED.
4. THE HOPPERS AND DOWNSPOUTS SHALL BE GALVANIZED. PAYMENT FOR THE HOPPERS AND DOWNSPOUTS SHALL BE INCLUDED IN THE UNIT PRICE BID STRUCTURAL STEEL (ITEM 50675).
5. DRIP BEADS OF 6 mm x 200 mm TWO-PLY POLYESTER MATERIAL SHALL BE CEMENTED TO THE CENTER OF EACH END OF THE FABRIC TROUGH WITH AN ADHESIVE APPROVED BY THE MANUFACTURER.
6. ALL STEEL SURFACES THAT WILL BE EMBEDDED IN CONCRETE SHALL BE COATED WITH EPOXY BONDING COMPOUND. (INCLUDED IN ITEM 516J0).
7. BRIDGE EXPANSION JOINT SHALL BE THE UNIT PRICE BID PER METER. (ITEM 516J0).
8. ALL CURB PLATES, WELDED STUDS AND EPOXY COATING OF STRUCTURAL STEEL SHALL BE INCLUDED IN ITEM 516J0.



LOCATION	DIMENSION "A" GIVEN AT 20°C									
	-9°C	-4°C	2°C	7°C	12°C	18°C	20°C	24°C	29°C	35°C
ABUTMENT 1	160	151	142	133	124	115	111	106	97	88
ABUTMENT 2	137	131	124	118	112	105	102	99	92	86

-DIMENSION "A" MEASURED ALONG SKEW

**STATE OF VERMONT
AGENCY OF TRANSPORTATION**

Town of	BENNINGTON	Bridge No.	BR700
Highway No.	VT. RTE. 9	Log Sta.	
		Surv. Sta.	16+800
VT. RTE. 9 OVER SILK ROAD AND WALLOOMSAC RIVER			
BRIDGE EXPANSION JOINT DETAILS - 2			
Designed By	M. GOGUEN	Drawn by	B. WEATHERBY
Checked By	D. VIENI	Date	11/99
		Bridge Design Supervisor	M.W. OLSTAD
		Date	9/00
PROJECT	BENNINGTON-HOOSICK	PROJECT NO.	D.P.L. 0146(1) C/4
I.G.C. Info.			
Bridge Sheet No.	BR733	Sheet	216 OF 385