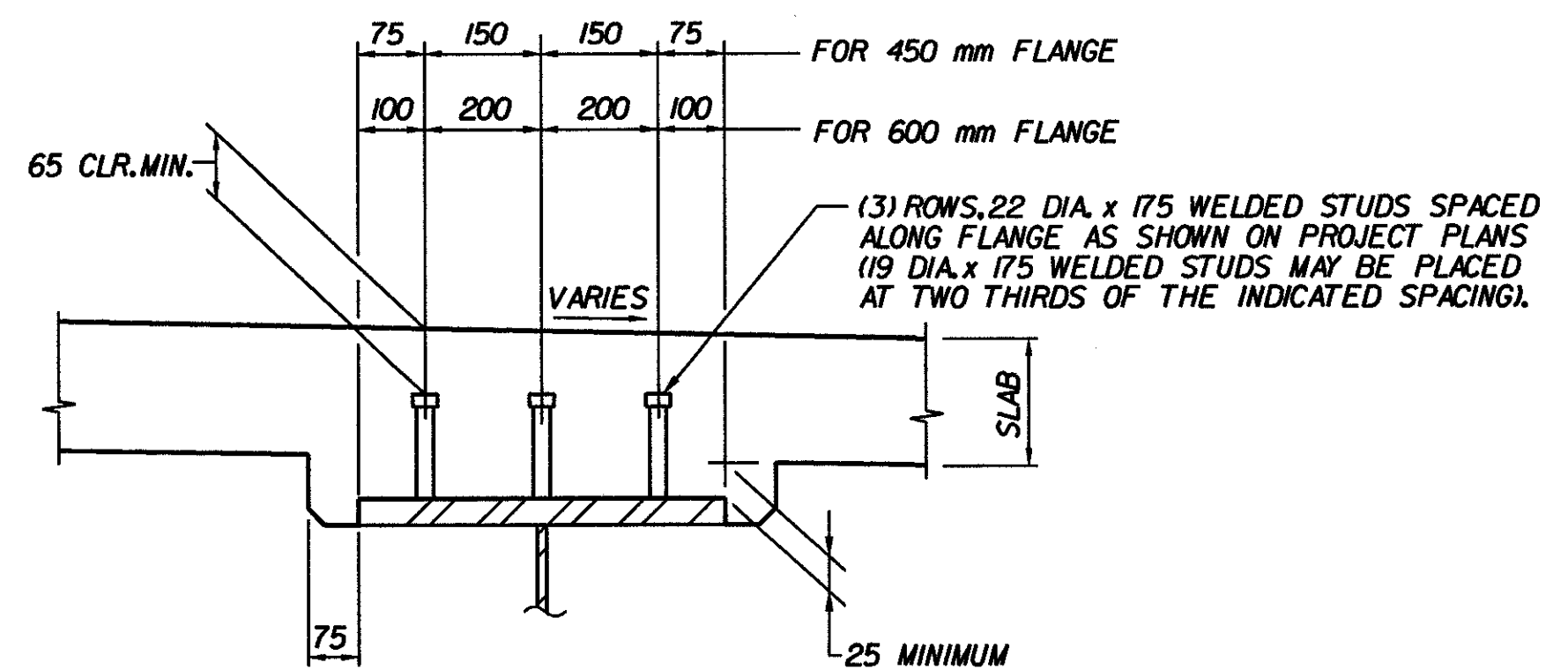
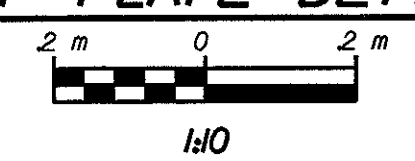


**NOTE:**

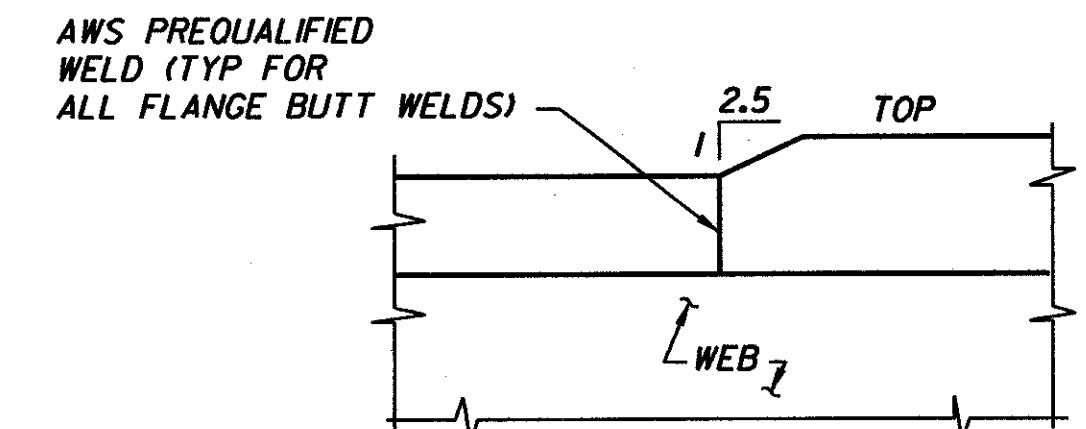
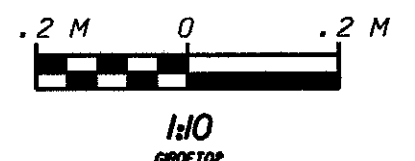
DRIP PLATES SHALL BE PLACED ON OUTSIDE EDGE OF FASCIA GIRDERS AS INDICATED ON THE FRAMING PLAN AND THE HIGH END OF FASCIA GIRDER SPLICE PLATES.

|                        |                           |
|------------------------|---------------------------|
| <b>S</b>               | <b>DRIP PLATE DETAILS</b> |
| BR719<br>THRU<br>BR724 |                           |



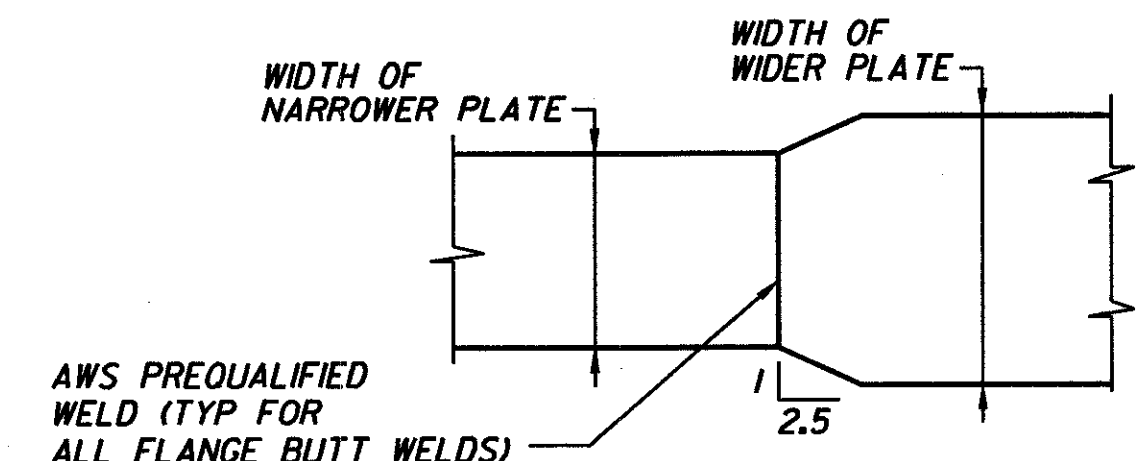
**T** TYPICAL GIRDER HAUNCH & SHEAR CONNECTOR DETAIL

|       |  |
|-------|--|
| BR714 |  |
| BR715 |  |



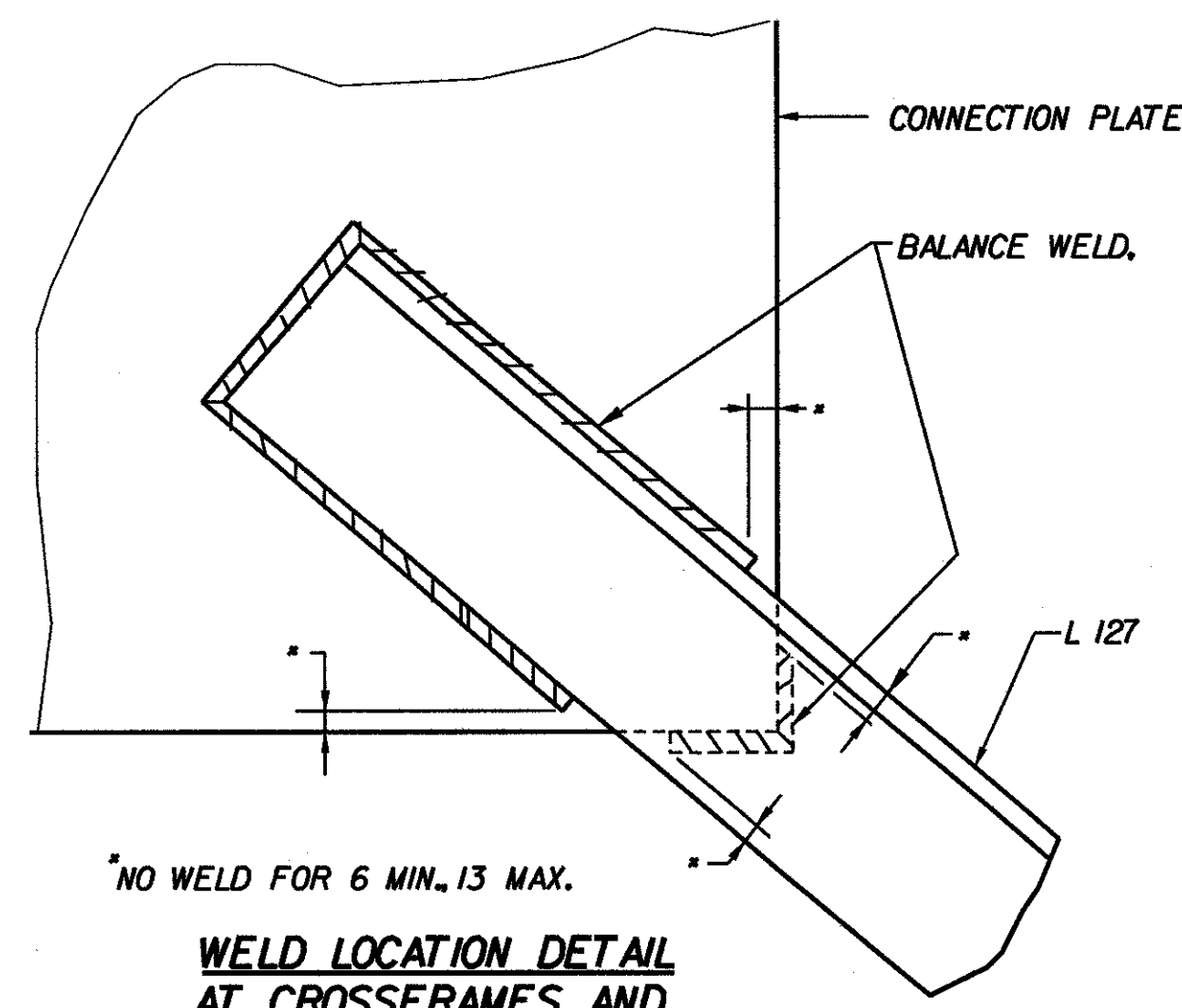
**X** FLANGE THICKNESS TAPER DETAIL

|       |        |
|-------|--------|
| BR725 | N.T.S. |
|-------|--------|

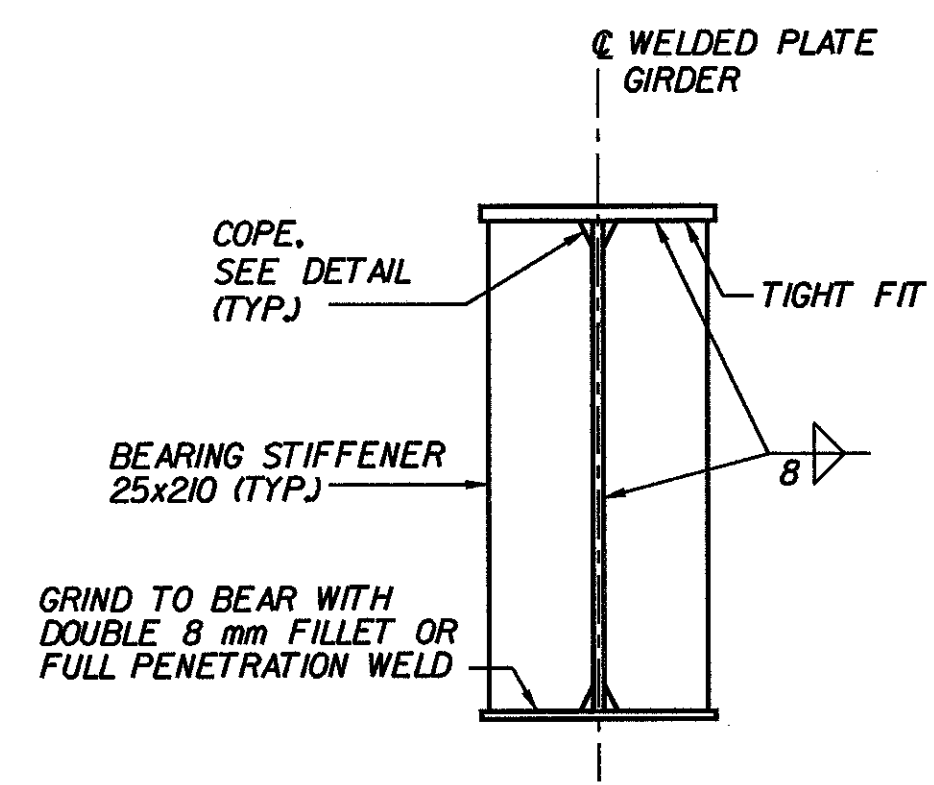


**Y** FLANGE WIDTH TAPER DETAIL

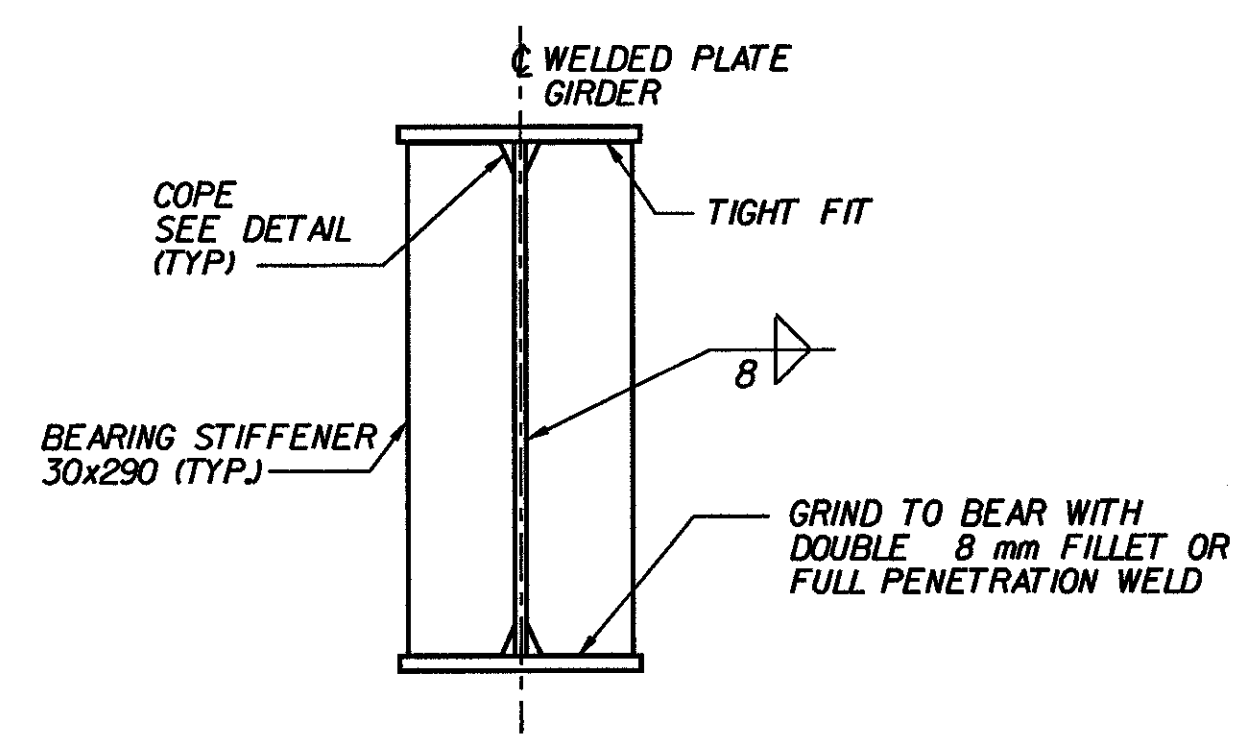
|       |        |
|-------|--------|
| BR725 | N.T.S. |
|-------|--------|



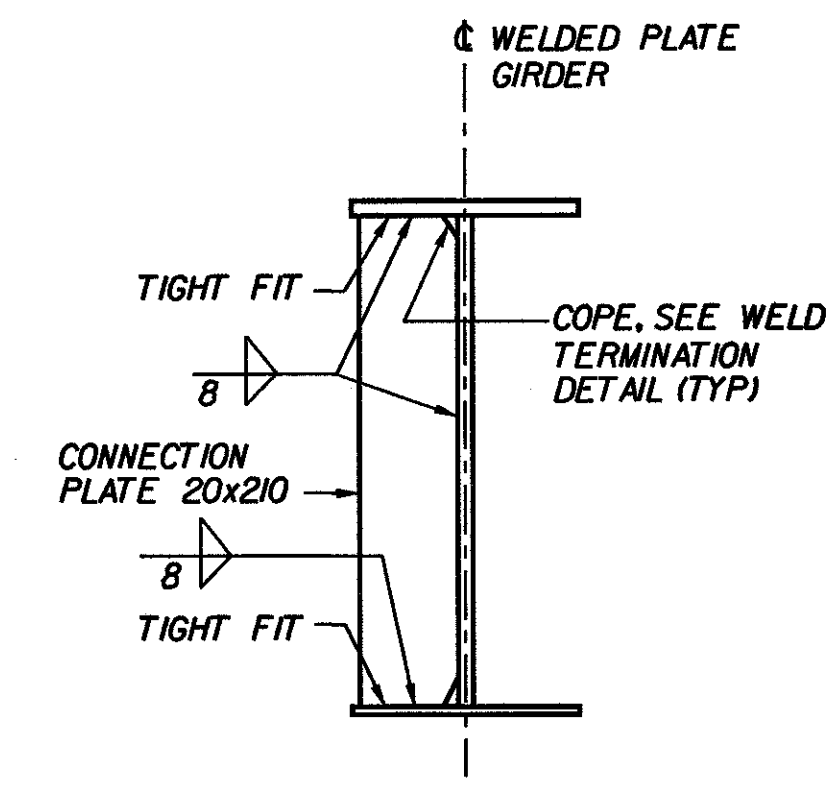
**WELD LOCATION DETAIL AT CROSSFRAMES AND LATERAL BRACING**  
N.T.S.



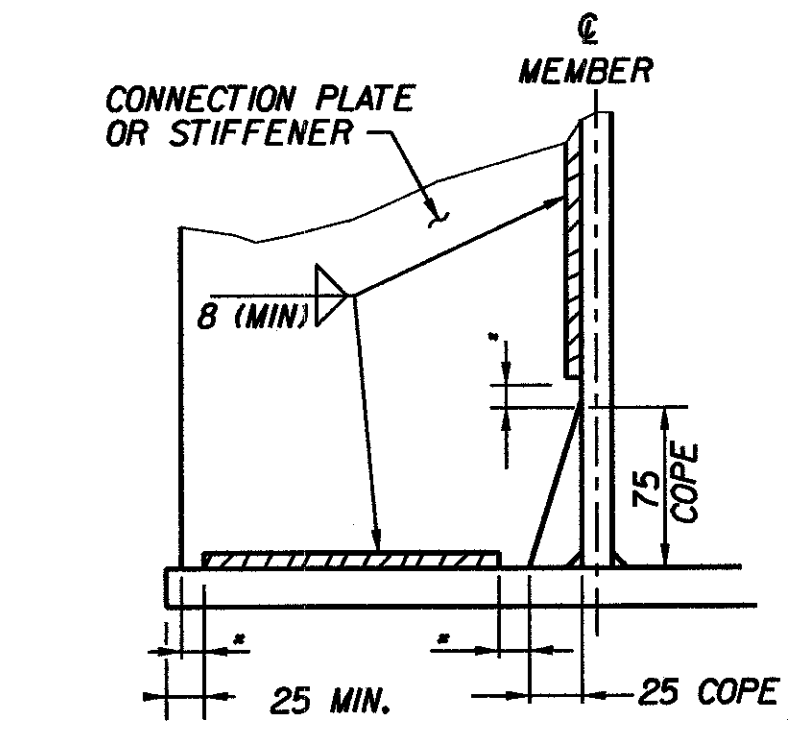
**ABUTMENT BEARING STIFFENERS FOR WELDED PLATE GIRDERS**  
N.T.S.



**PIER BEARING STIFFENERS FOR WELDED PLATE GIRDERS**  
N.T.S.



**INTERMEDIATE CONNECTION PLATES AND/OR STIFFENERS FOR WELDED PLATE GIRDERS**  
N.T.S.



**WELD TERMINATION AND COPING DETAILS FOR STEEL MEMBERS**  
N.T.S.

**STATE OF VERMONT AGENCY OF TRANSPORTATION**

|  |                    |                          |                   |
|--|--------------------|--------------------------|-------------------|
| Town Of  | BENNINGTON         | Bridge No.               | BR700             |
| Highway No.                                    | VT. RTE. 9         | Log Sta.                 |                   |
|  |                    | Surv. Sta.               | 16+800            |
| VT. RTE. 9 OVER SILK ROAD AND WALLOOMSAC RIVER |                    |                          |                   |
| <b>GIRDER DETAILS</b>                          |                    |                          |                   |
| Designed By                                    | M. GOGUEN          | Drawn by                 | B. WEATHERBY      |
| Checked By                                     | D. VIENI           | Date                     | 11/99             |
|  |                    | Bridge Design Supervisor | M.W. OLSTAD       |
|  |                    | Date                     | 9/00              |
| PROJECT  | BENNINGTON-HOOSICK | PROJECT NO.              | D.P.L 0146(I) C/4 |
| I.G.C. Info.                                   |                    |                          |                   |
| Bridge Sheet No.                               | BR726              | Sheet                    | 209 OF 385        |