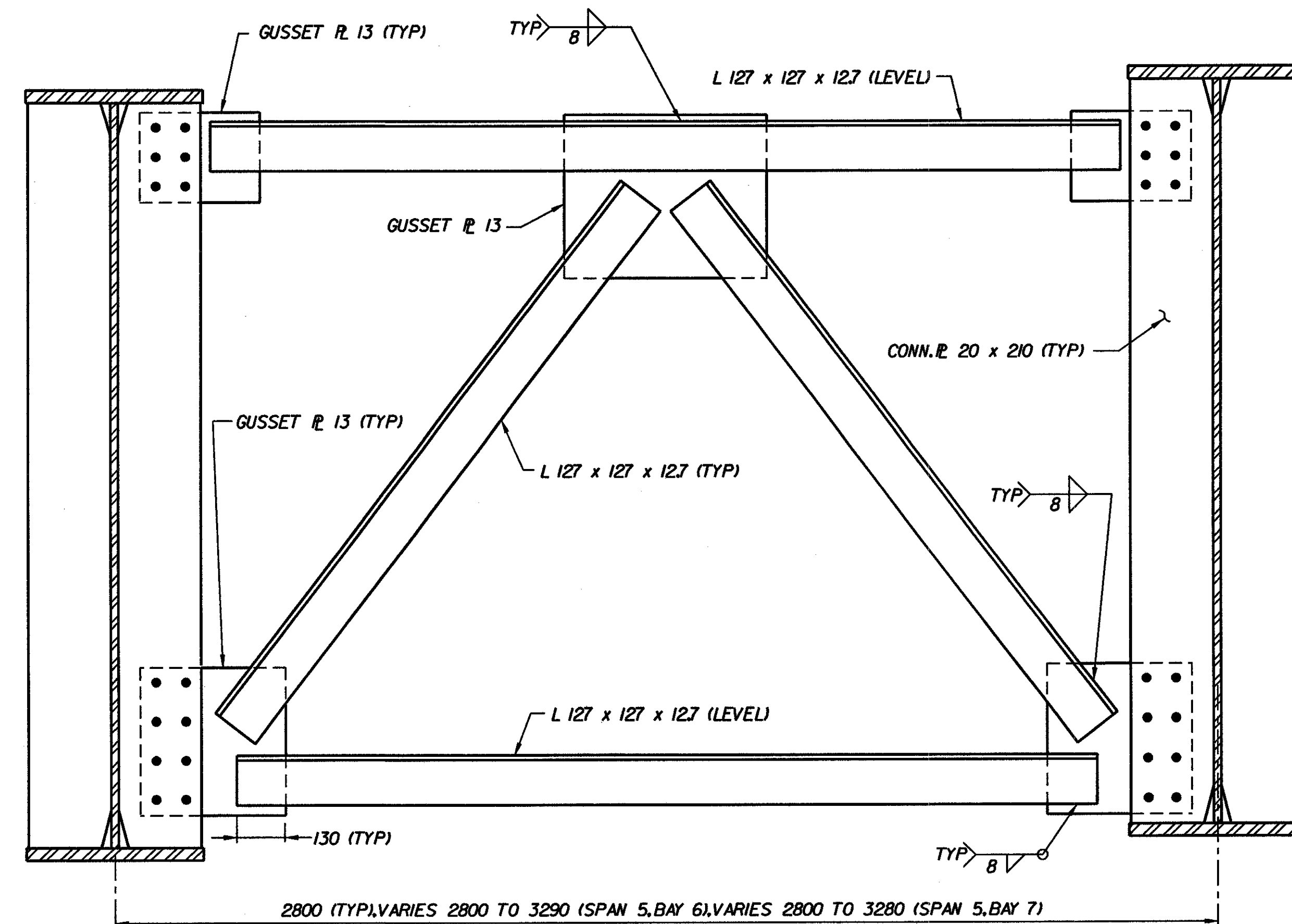
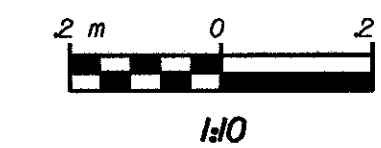


CROSSFRAMES AT ABUTMENTS & PIERS



INTERMEDIATE CROSSFRAME



NOTES:

1. ALL CONNECTIONS SHALL BE MADE USING M22 DIAMETER AASHTO M164M BOLTS. ALL HOLES IN THE CONNECTION PLATES SHALL BE 24 mm DIAMETER.
2. THE LENGTH OF WELDS ON EACH SIDE OF THE ANGLE SHALL BE PROPORTIONED TO MINIMIZE ECCENTRICITIES IN THE CONNECTION.
3. ALL CROSSFRAMES REQUIRE CVN TESTING.

**STATE OF VERMONT
AGENCY OF TRANSPORTATION**

Town Of	BENNINGTON	Bridge No.	BR700
Highway No.	VT. RTE. 9	Log Sta.	
VT. RTE. 9 OVER SILK ROAD AND WALLOOMSAC RIVER		Surv. Sta.	16+800
CROSSFRAME DETAILS			
Designed By	M. GOGUEN	Drawn by	B. WEATHERBY
Checked By	R. SIPZNER	Date	6/00
		Bridge Design Supervisor	M.W. OLSTAD
		Date	9/00
PROJECT	BENNINGTON-HOOSICK	PROJECT NO.	D.P.I. 0146(1) C/4
I.G.C. Info.			
Bridge Sheet No.	BR724	Sheet	207 OF 385