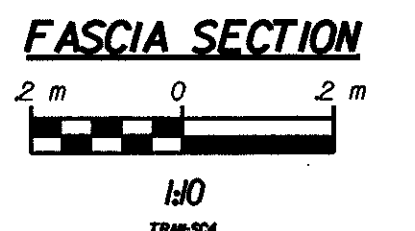
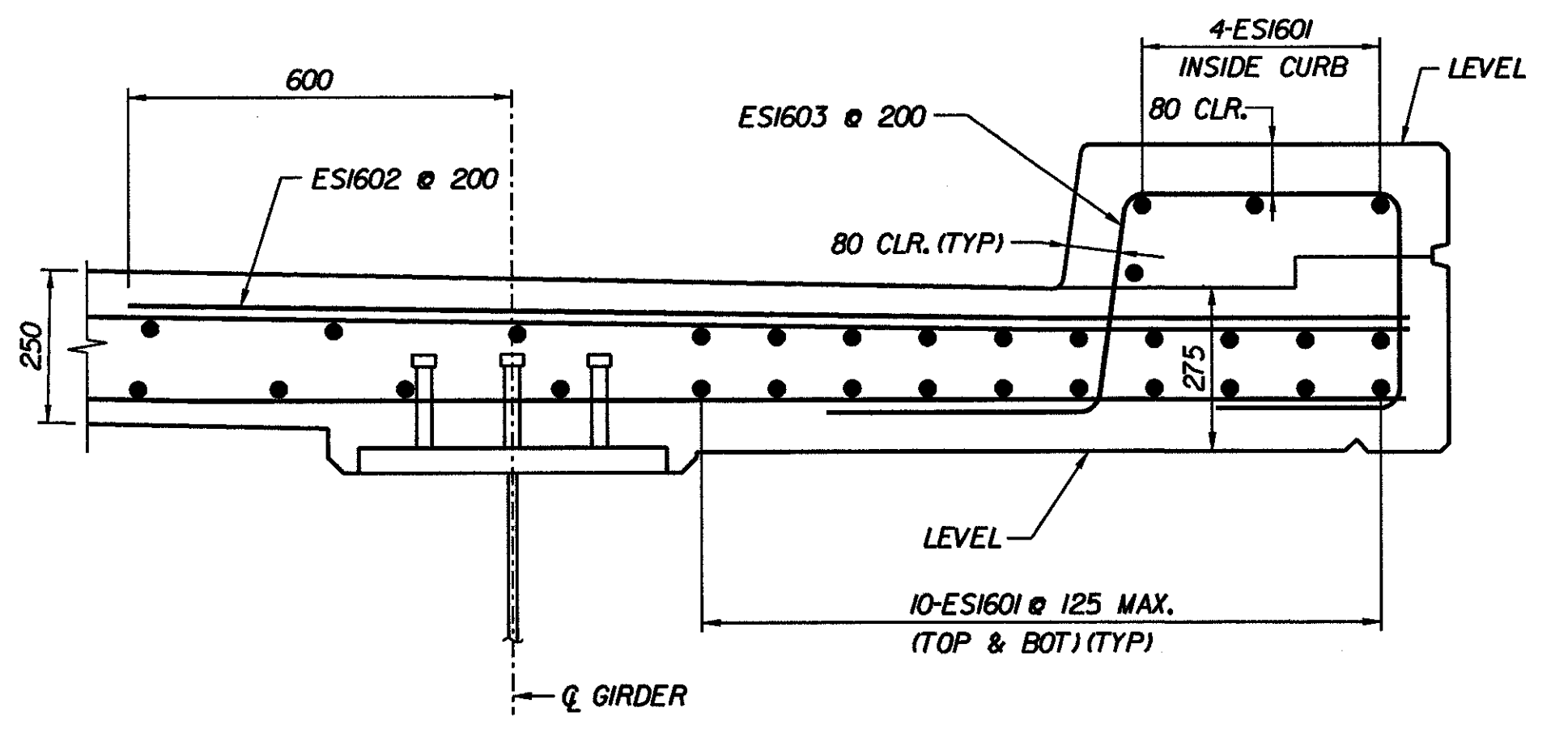
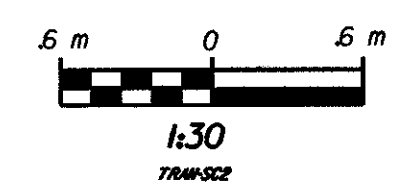


TYPICAL TRANSVERSE BRIDGE SECTION (STATION 16+978.085 TO END OF BRIDGE DECK)



NOTES:

1. ALL SUPERSTRUCTURE REINFORCING STEEL SHALL BE EPOXY COATED.
2. SEE TYPICAL CURB SECTIONS ON SHEET BR738.
3. A TRANSITION CONTINUES FROM 0.007 DN LT. AT EQUALITY STATION 16+978.085 + RAMP C STATION 16+000.000 TO 0.020 DN RT AT THE END OF THE BRIDGE.

STATE OF VERMONT AGENCY OF TRANSPORTATION	
Town Of BENNINGTON	Bridge No. BR700
Highway No. VT. RTE. 9	Log Sta. 16+800
VT. RTE. 9 OVER SILK ROAD AND WALLOOMSAC RIVER	
TYPICAL TRANSVERSE BRIDGE SECTIONS - 2	
Designed By M. GOGUEN	Drawn by B. WEATHERBY
Checked By D. VIENI Date 6/00	Bridge Design Supervisor M.W. OLSTAD Date 9/00
PROJECT BENNINGTON-HOOSICK	PROJECT NO. D.P.L. 0146(I) C/4
I.G.C. Info.	
Bridge Sheet No. BR715	Sheet 198 OF 385