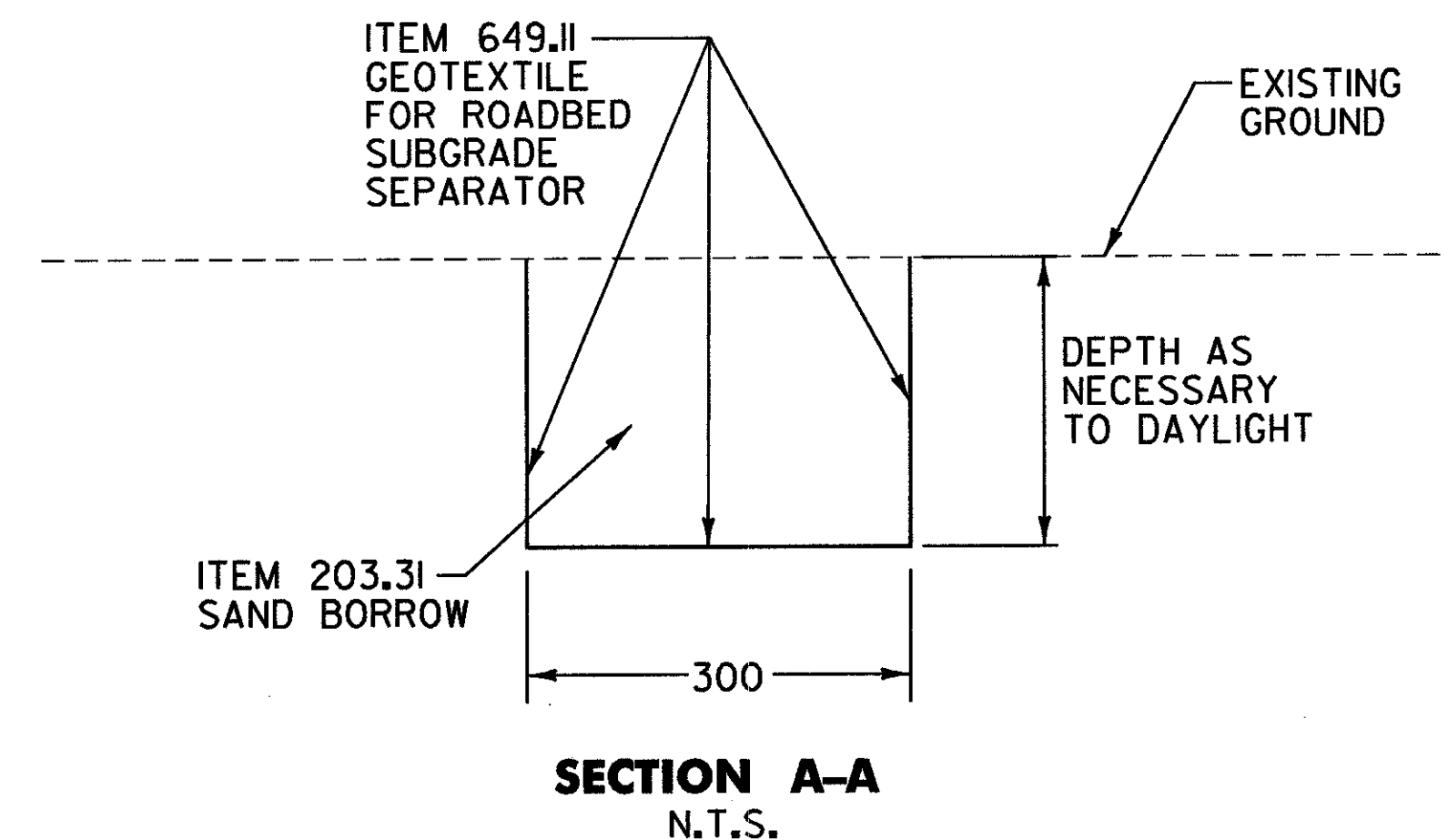


DRAINAGE BLANKET DETAIL
N.T.S.

NOTES:

1. IN AREAS WHERE SUBGRADE SOILS ARE WET OR COMPRISED OF ORGANIC MATERIALS, A DRAINAGE BLANKET SHALL BE INSTALLED, AS DIRECTED BY THE RESIDENT ENGINEER.
2. OUTLETS FOR THE DRAINAGE BLANKET SHALL BE INSTALLED AS DIRECTED BY THE RESIDENT ENGINEER.



SECTION A-A
N.T.S.

ALL DIMENSIONS IN MILLIMETERS EXCEPT WHERE OTHERWISE INDICATED

FILE NAME: F:\5116\voot\contract4\md5.dgn
DATE/TIME: 07 SEP 2000
USER: 1459

DATUM	
VERTICAL	NAVD 88
HORIZONTAL	NAD 83 (1992)

DRAINAGE BLANKET DETAIL SHEET	SURVEYED BY	C.H.A. & V.S.E.	DATE	12/93
	DESIGNED BY	D.E.G.	DATE	9/00
	DRAWN BY	T.J.B.	DATE	9/00
	CHECKED BY	T.P.K.	DATE	9/00
	DESIGN FILE NO.	N/A		
PROJ. NAME	BENNINGTON - HOOSICK D.P.J. 0146(I) C/4			
PROJ. NO.	P.I.N. 1306.60			
DWG NO. MD-3				SHEET 167 OF 385