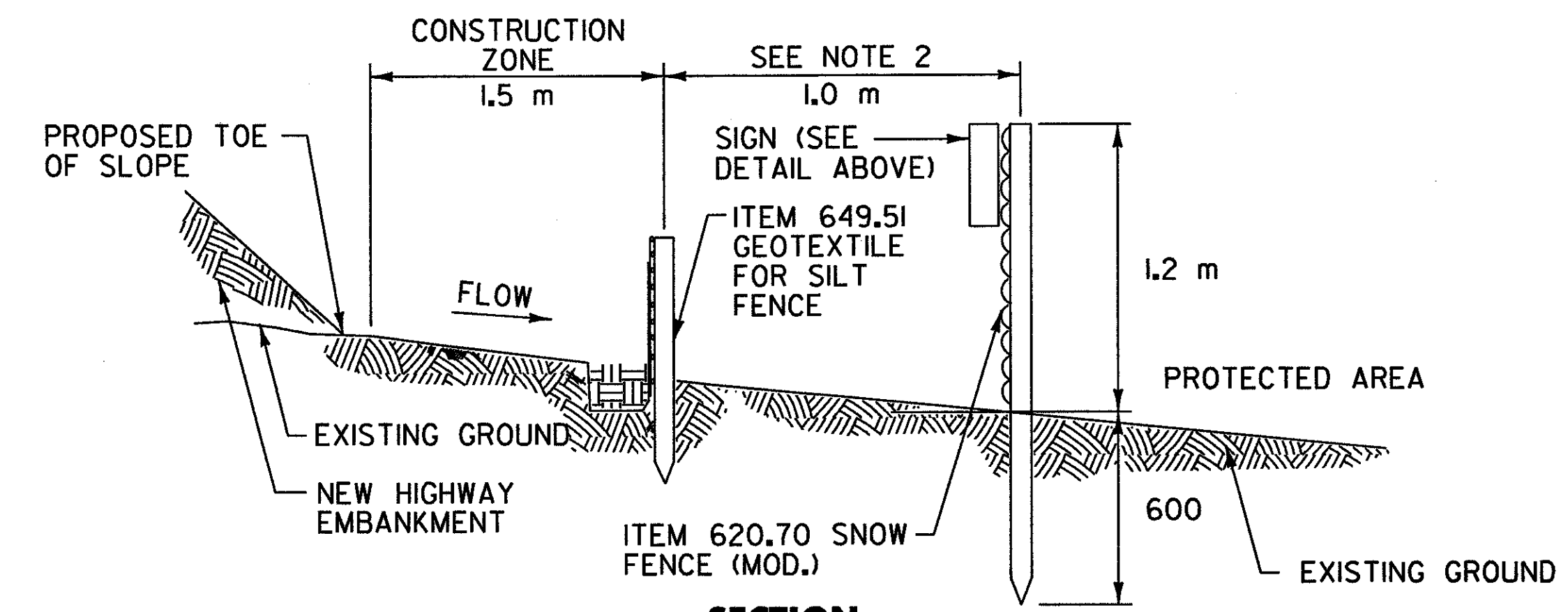
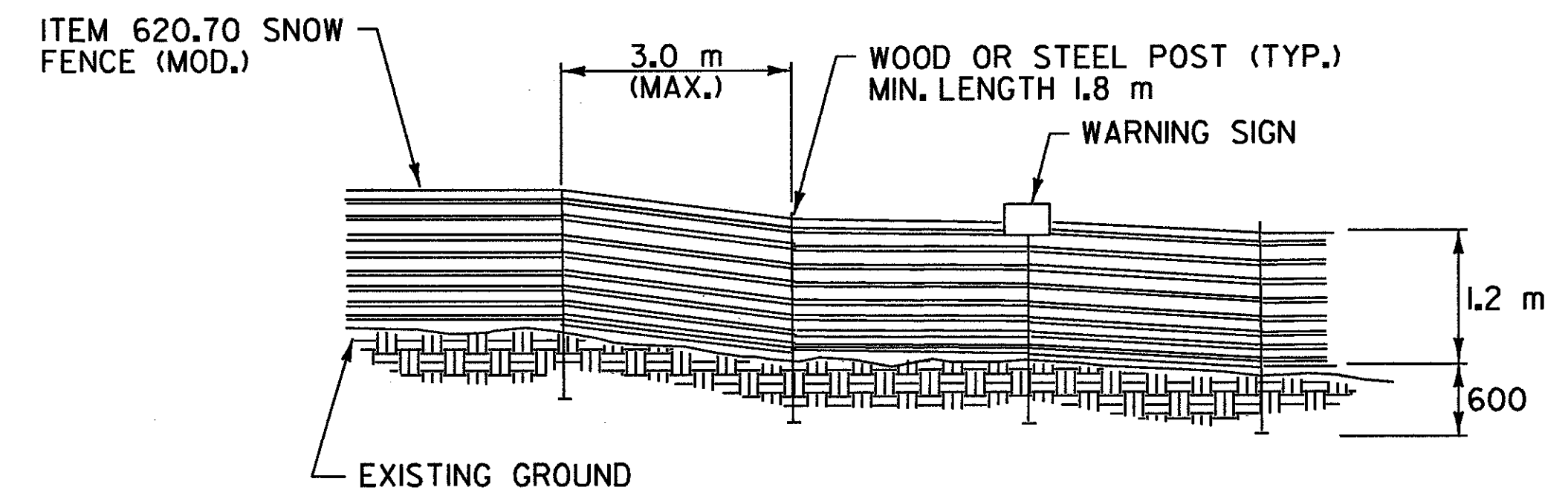


**WARNING SIGN DETAIL**



**SECTION**

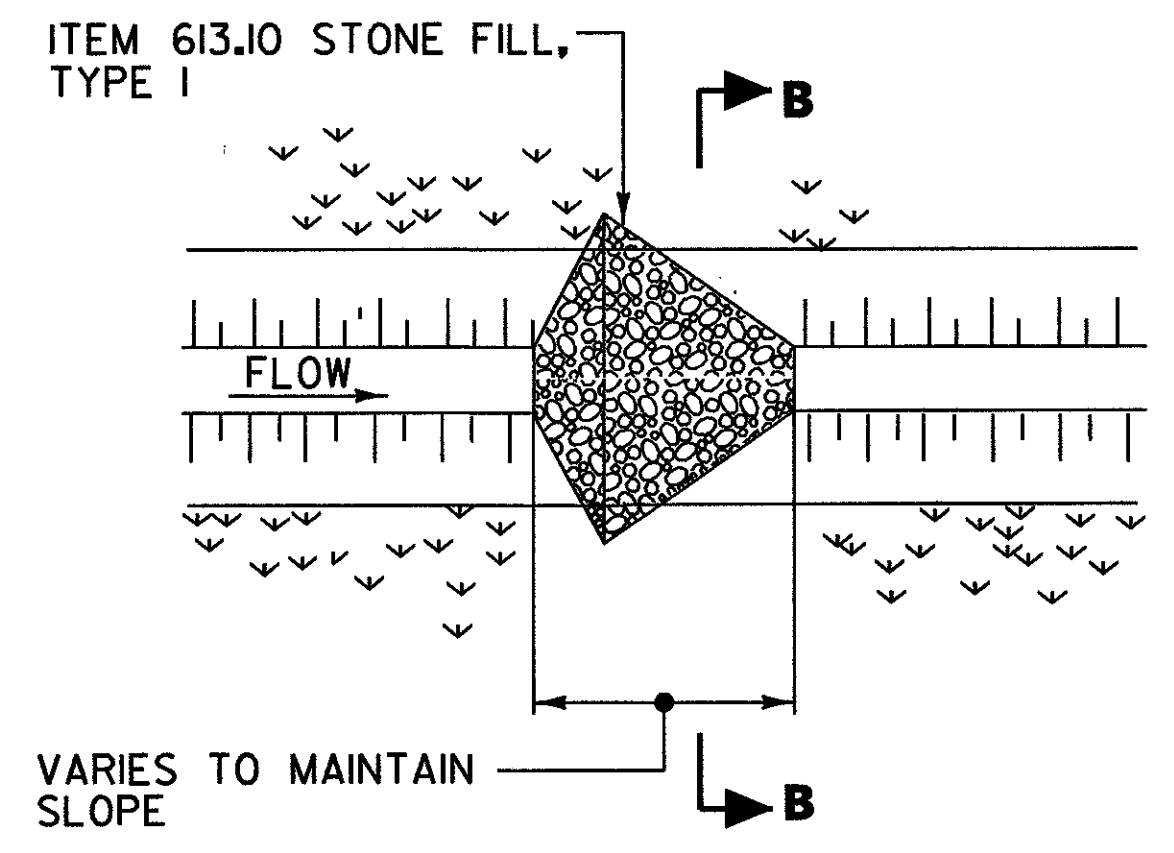
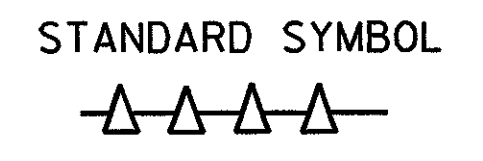


**ELEVATION**

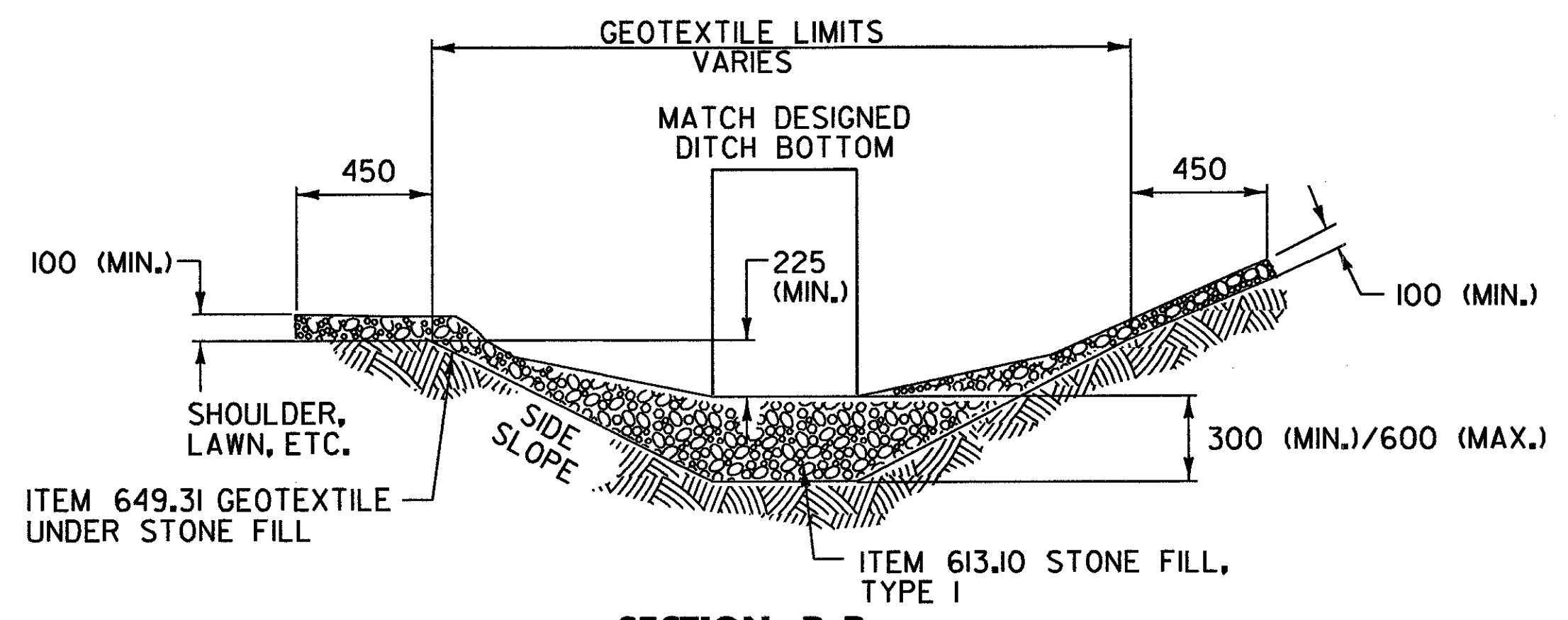
**NOTES:**

- ITEM 620.70 SNOW FENCE (MOD.) SHALL BE INSTALLED IN THE LOCATIONS SHOWN ON THE PLANS OR AS DIRECTED BY THE RESIDENT ENGINEER PRIOR TO BEGINNING ANY WORK IN THESE AREAS.
- IN AREAS ADJACENT TO OR WITHIN A WETLAND OR IN THE VICINITY OF THE LIMITS OF CLEARING FOR THE MAINTENANCE VEHICLE ACCESS, THE RESIDENT ENGINEER MAY REQUIRE ITEM 620.70 SNOW FENCE (MOD.) TO BE PLACED IN COMBINATION WITH THE SILT FENCE.
- THE RESIDENT ENGINEER MAY EXTEND THE DISTANCE BETWEEN THE PROPOSED TOE OF SLOPE AND SILT FENCE PROVIDING IT DOES NOT TAKE PLACE IN A WETLAND/WATERBODY AND DOES NOT REQUIRE THE REMOVAL OF EXISTING VEGETATION.
- THE CONTRACTOR SHALL INSTALL AT THE BEGINNING OF THE CONTRACT, AND MAINTAIN THROUGHOUT ITS DURATION ITEM 620.70 SNOW FENCE (MOD.) AROUND THE EXISTING WETLAND AREAS/STREAM COURSE AREAS AS SHOWN. THE CONTRACTOR SHALL NOT DISTURB THE FENCED AREAS. THE COST SHALL BE INCLUDED IN THE PRICE BID FOR ITEM 620.70 SNOW FENCE (MOD.)

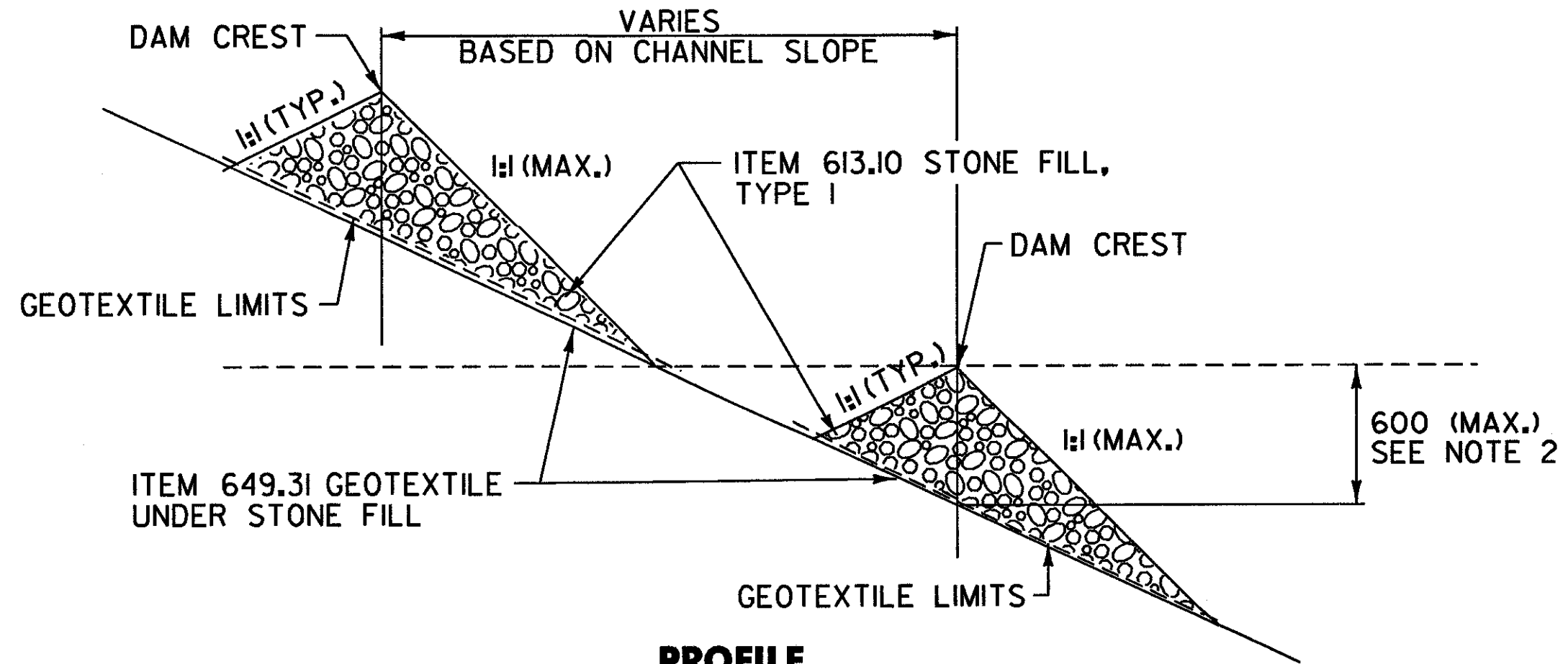
**SNOW FENCE (MOD.)**



**PLAN**



**SECTION B-B**



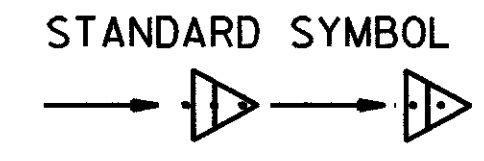
**PROFILE**  
BOTTOM OF DITCH

**NOTES:**

- MAXIMUM DRAINAGE AREA ABOVE THE CHECK DAM SHALL NOT EXCEED 0.8 HECTARES.
- SET SPACING OF CHECK DAMS TO ENSURE THAT THE ELEVATION OF THE CREST OF THE DOWNSTREAM DAM IS AT THE SAME ELEVATION AS THE TOE OF THE UPSTREAM DAM.
- PROTECT THE CHANNEL DOWNSTREAM OF THE LOWEST DAM FROM SCOUR AND EROSION WITH STONE OR LINER AS APPROPRIATE.
- ENSURE THAT THE CHANNEL APPURTENANCES SUCH AS CULVERT ENTRANCES BELOW CHECK DAMS ARE NOT SUBJECT TO DAMAGE OR BLOCKAGE FROM DISPLACED STONES.

ALL DIMENSIONS IN MILLIMETERS EXCEPT WHERE OTHERWISE INDICATED.

**CHECK DAM (STONE)**



**EROSION CONTROL DETAILS**

SURVEYED BY	C.H.A. & V.S.E.	DATE	12/93
DESIGNED BY	D.E.G.	DATE	9/00
DRAWN BY	J.S.L.	DATE	9/00
CHECKED BY	T.P.K.	DATE	9/00
DESIGN FILE NO.	516/VAOT/CON4/VTEC.DGN		
PROJ. NAME	BENNINGTON - HOOSICK D.P.J. 0146(I) C/4		
PROJ. NO.	P.I.N. 1306.60		
DWG NO. EC-3	SHEET 126 OF 385		