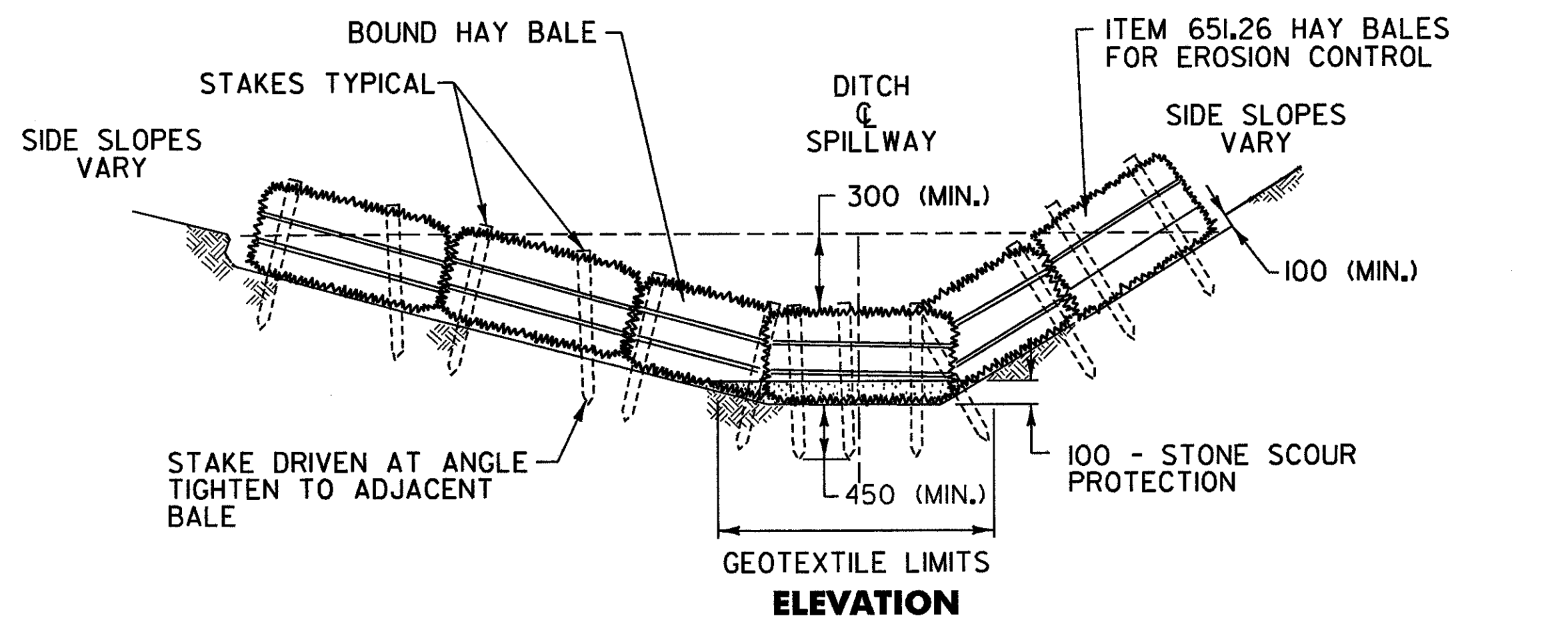
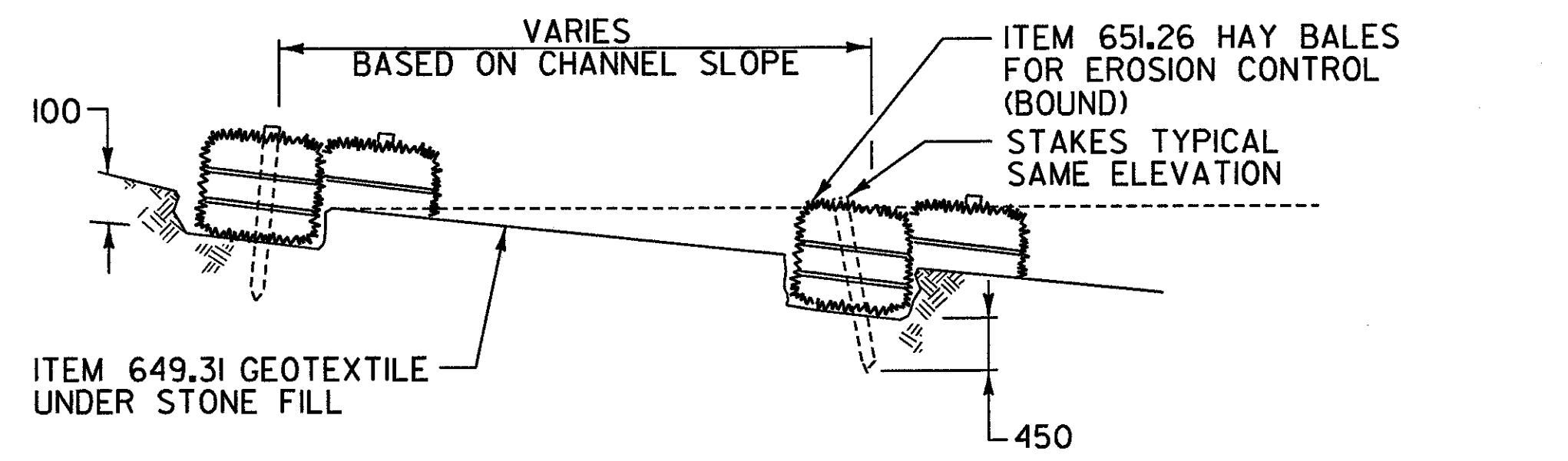


PLAN



ELEVATION



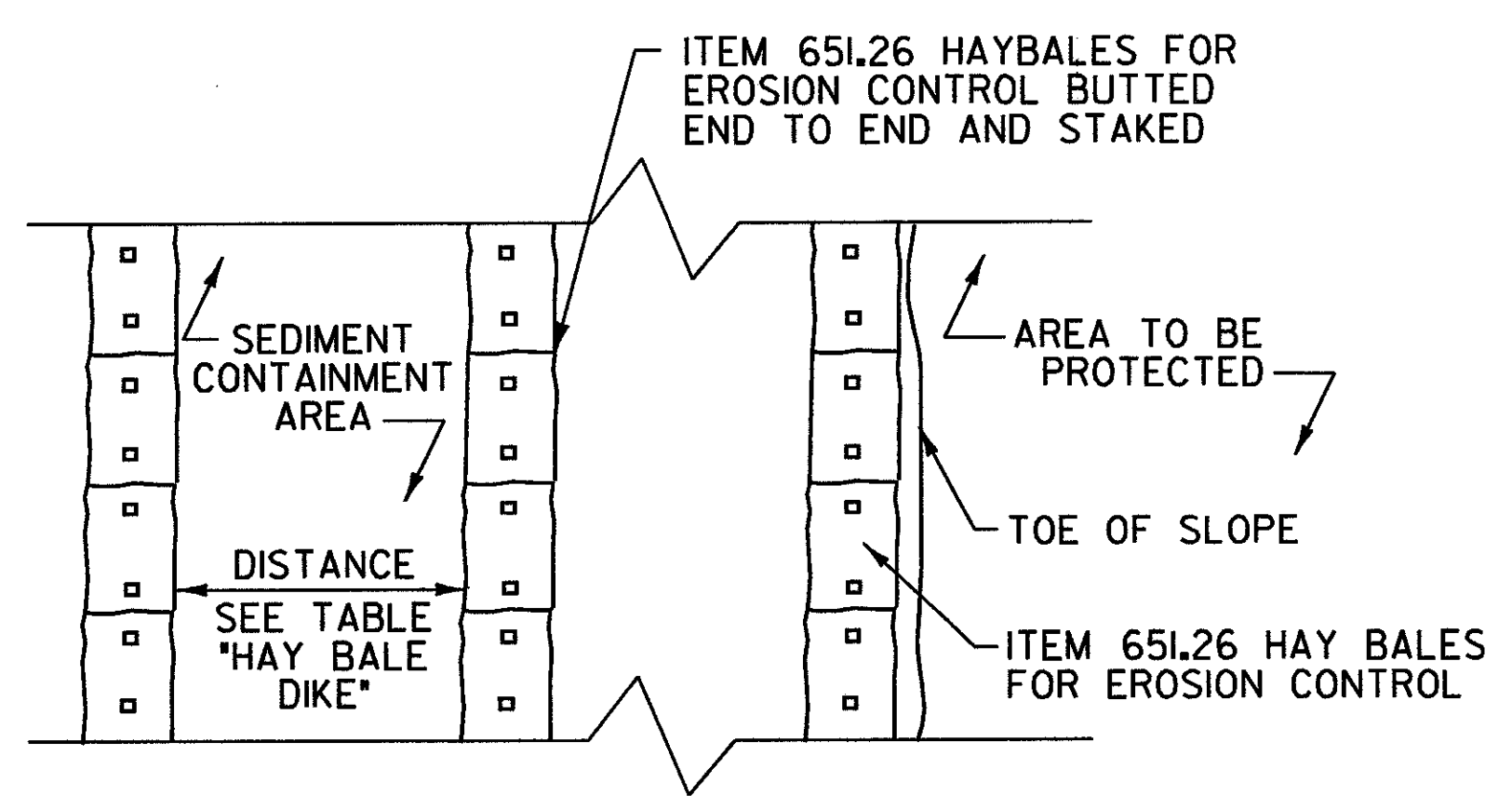
PROFILE

- NOTES:
1. SET SPACING OF CHECK DAMS TO ENSURE THAT THE ELEVATIONS OF THE CREST OF THE DOWNSTREAM DAM IS AT THE SAME ELEVATION AS THE TOE OF THE UPSTREAM DAM.
 2. FOR DITCH PROFILES STEEPER THAN 1:8 (12%) IN UNCONSOLIDATED SOIL USE STONE CHECK DAM.

CHECK DAM (HAY / STRAW BALE)

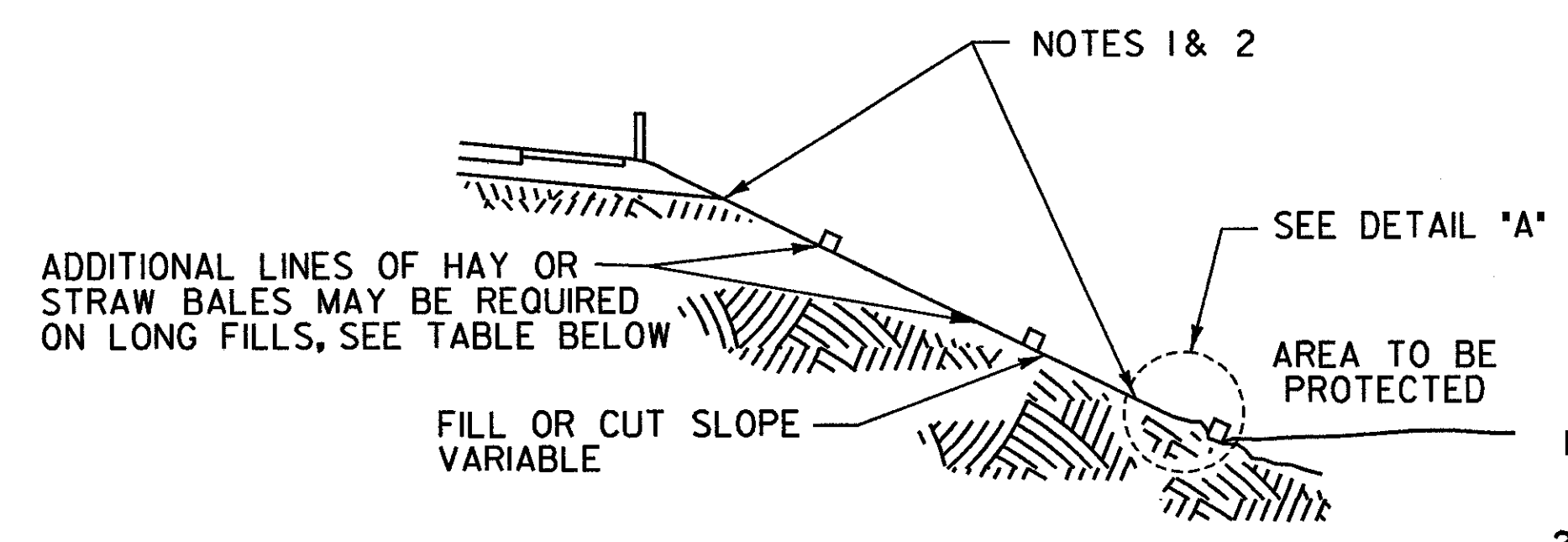
STANDARD SYMBOL

CHECK DAM SPACING	
DITCH SLOPE	PLACEMENT INTERVAL
< 3%	35 m
3% - 5%	25 m
> 5%	15 m



PLAN DETAIL "A"

USE FOR PROTECTION OF DITCH OR EXISTING GROUND



NOTES:

TEMPORARY EROSION CONTROL PROTECTION BY MULCHING MUST BE CARRIED OUT AS THE FILL IS PROGRESSED TO AVOID ANY POSSIBLE CONTAMINATION OF THE STREAM OR PROPERTY.

PERMANENT EROSION CONTROL BY SEEDING AND MULCHING SHALL BE DONE AS SOON AS THE FILL IS BROUGHT TO FINAL GRADE.

AN ESTIMATED QUANTITY OF HAY BALES WAS INCLUDED FOR EACH CHECK DAM LOCATION IN STONE - LINED DITCHES. FOUR HAY BALES WERE ESTIMATED FOR STONE - LINED DITCHES WITH TYPE I STONE AND SIX HAY BALES WERE ESTIMATED FOR STONE - LINED DITCHES WITH TYPE II STONE.

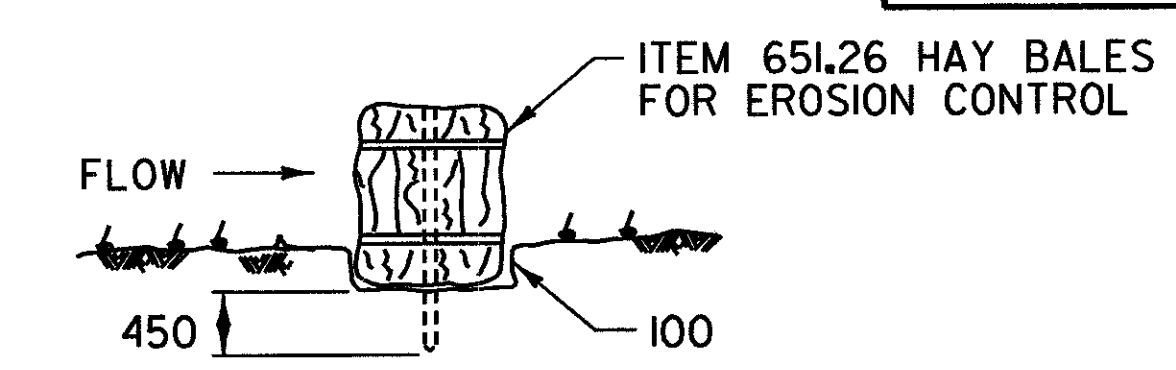
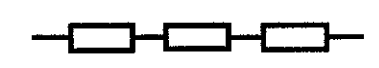
TEMPORARY SOIL EROSION CONTROL IN FILL OR CUT SECTIONS

STANDARDS AND SPECIFICATIONS FOR HAY BALE DIKE

DEFINITION		
A TEMPORARY BARRIER OF HAY OR SIMILAR MATERIAL USED TO INTERCEPT SEDIMENT LADEN RUNOFF FROM SMALL DRAINAGE AREAS OF DISTURBED SOIL.		
PURPOSE		
THE PURPOSE OF A BALE DIKE IS TO REDUCE RUNOFF VELOCITY AND EFFECT DEPOSITION OF THE TRANSPORTED SEDIMENT LOAD.		
CONDITIONS WHERE PRACTICE APPLIES		
THE BALE DIKE IS USED WHERE:		
1. NO OTHER PRACTICE IS FEASIBLE	4. LENGTH OF SLOPE ABOVE THE HAY BALE DIKE DOES NOT EXCEED THESE LIMITS:	
2. THERE IS NO CONCENTRATION OF WATER IN A CHANNEL OR OTHER DRAINAGE WAY ABOVE THE BARRIER.	CONSTRUCTED SLOPE	DISTANCE BETWEEN ROWS OF BALE DIKES
3. EROSION WOULD OCCUR IN THE FORM OF SHEET EROSION.	1:2	8 m
	1:2/2.5	15 m
	1:3	25 m
	1:3/3.5	30 m
	1:4	40 m
	WHERE SLOPE GRADIENT CHANGES THROUGH THE DRAINAGE AREA, STEEPNESS REFERS TO THE STEEPEST SLOPE SECTION CONTRIBUTING TO THE BALE DIKE.	

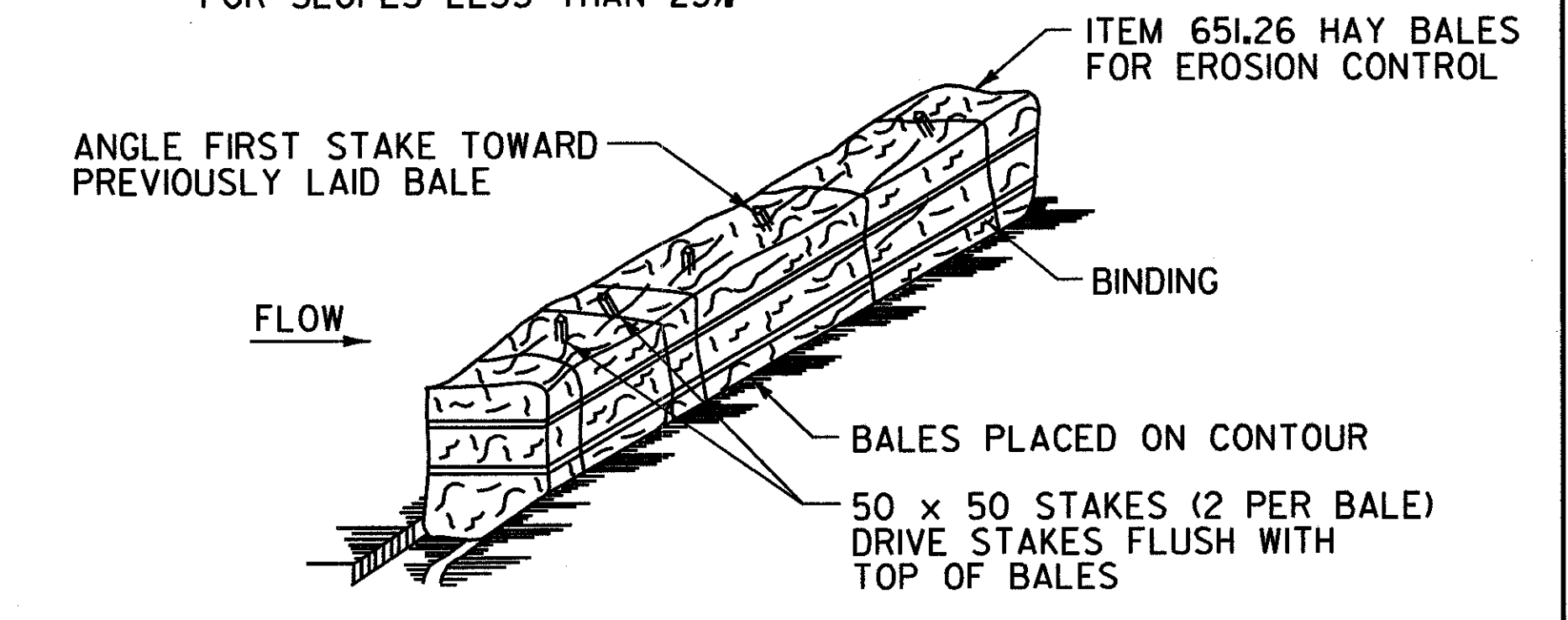
HAY BALE DIKE

STANDARD SYMBOL



BEDDING DETAIL

DRAINAGE AREA NO MORE THAN 0.10 HECTARES PER 30 m OF STRAW BALE DIKE FOR SLOPES LESS THAN 25%



ANCHORING DETAIL CONSTRUCTION SPECIFICATIONS

1. BALES SHALL BE PLACED AT THE TOE OF A SLOPE OR ON THE CONTOUR AND IN A ROW WITH ENDS TIGHTLY ABUTTING THE ADJACENT BALES.
2. EACH BALE SHALL BE EMBEDDED IN THE SOIL A MINIMUM OF 100 mm, AND PLACED SO THE BINDINGS ARE HORIZONTAL
3. BALES SHALL BE SECURELY ANCHORED IN PLACE BY EITHER TWO STAKES OR RE-BARS DRIVEN THROUGH THE BALE AND INTO THE UNDISTURBED GROUND A MINIMUM OF 450 mm. STAKES IN EACH BALE SHALL BE DRIVEN TOWARDS THE PREVIOUSLY LAID BALE AT AN ANGLE TO FORCE THE BALES TOGETHER. STAKES SHALL BE DRIVEN FLUSH WITH THE TOP OF THE BALE.
4. INSPECTION SHALL BE FREQUENT AND REPAIR OR REPLACEMENT SHALL BE MADE PROMPTLY AS NEEDED.
5. BALES SHALL BE REMOVED WHEN THEY HAVE SERVED THEIR USEFULNESS AND SURROUNDING AREA IS STABILIZED FROM EROSION BY STONE LINED DITCHES, TURF, ETC.

ALL DIMENSIONS IN MILLIMETERS EXCEPT WHERE OTHERWISE INDICATED.

EROSION CONTROL DETAILS

SURVEYED BY	C.H.A. & V.S.E.	DATE	12/93
DESIGNED BY	D.E.G.	DATE	9/00
DRAWN BY	J.S.L.	DATE	9/00
CHECKED BY	T.P.K.	DATE	9/00
DESIGN FILE NO.	516/VAOT/VTEC.DGN		
PROJ. NAME	BENNINGTON - HOOSICK D.P.J. 0146(I) C/4		
PROJ. NO.	P.I.N. 1306.60		
DWG NO. EC-2	SHEET 125 OF 385		