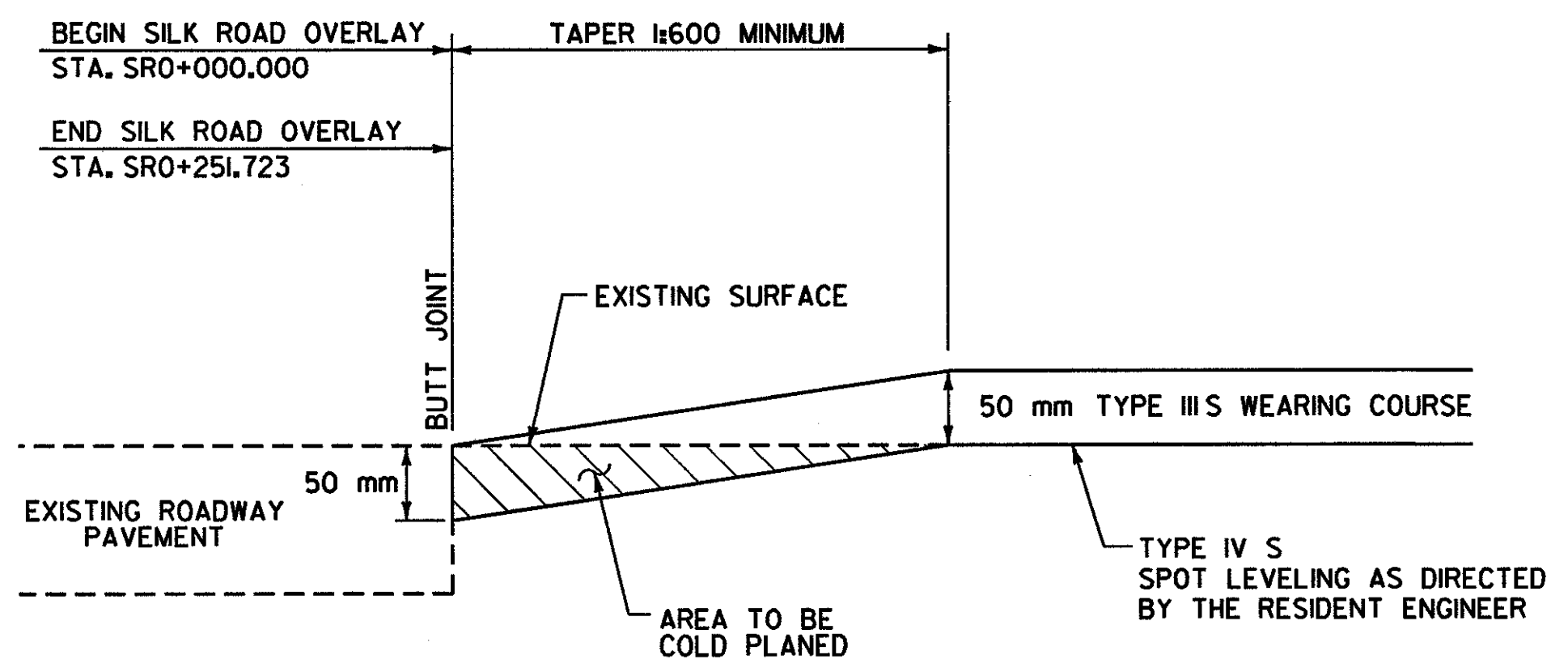


PAVEMENT TERMINATION DETAIL

N.T.S.
STA. 16+695.000

NOTE:
1. SLOPE SHALL BE AS DIRECTED BY THE RESIDENT ENGINEER.



APPROACH TRANSITION DETAIL

N.T.S.
STA. SR0+000.000
STA. SR0+251.723

**PAVING
DETAILS
SHEET**

SURVEYED BY	C.H.A. & V.S.E.	DATE	12/93
DESIGNED BY	D.E.G.	DATE	9/00
DRAWN BY	T.J.B.	DATE	9/00
CHECKED BY	T.P.K.	DATE	9/00
DESIGN FILE NO.	/5516/VA0T/PTDLDGN		
PROJ. NAME	BENNINGTON - HOOSICK D.P.I. 0146(I) C/4		
PROJ. NO.	P.I.N. 1306.60		
DWG NO. PDT-1	SHEET 70 OF 385		

FILE NAME =u:\5116\veot\contract4\ptd1.dgn
DATE/TIME =07 SEP 2000
USER =1459