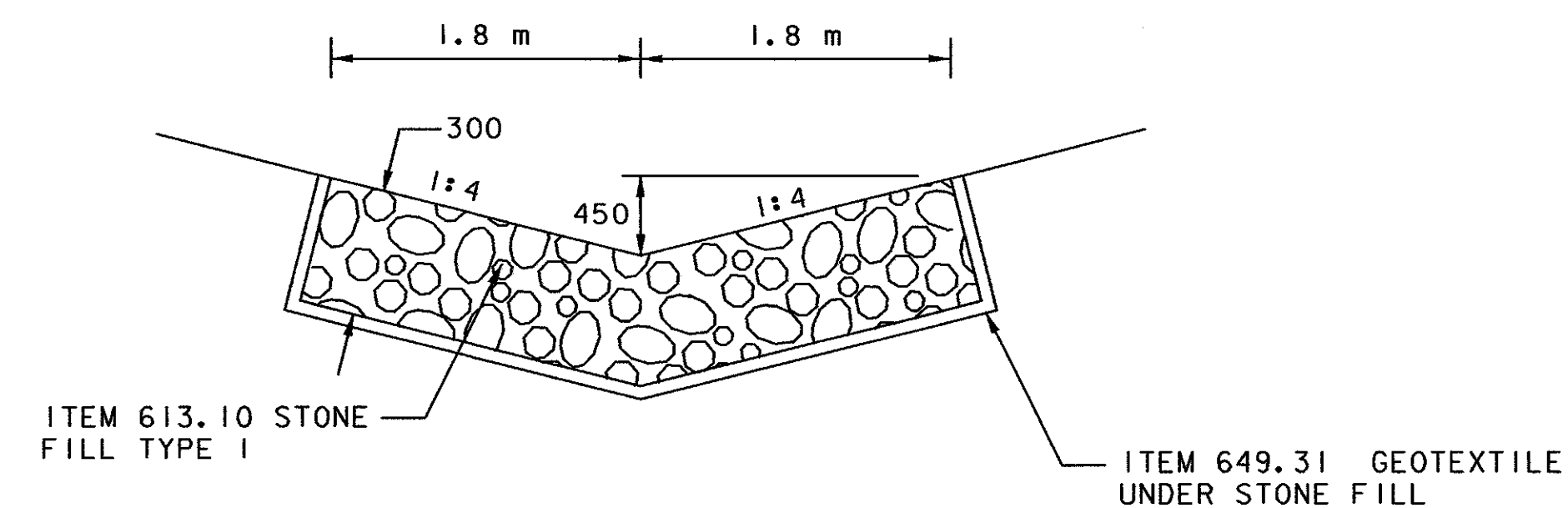


DITCH PROTECTION
STA. B 1+420 TO B 1+475
NOT TO SCALE



DITCH PROTECTION
STA. B 1+422 TO B 1+455
NOT TO SCALE

BORING LOCATION TABLE

| BORING # | BORROW STA. | OFFSET | MAINLINE STA. | OFFSET |
|------------|-------------|-----------|---------------|-----------|
| 376 | B 1+061.17 | 14.0 m LT | 8+750.00 | 14.0 m LT |
| 384 | B 1+211.17 | 14.0 m LT | 8+900.00 | 14.0 m LT |
| 8+900,4m R | B 1+210.55 | 4.0 m RT | 8+900.00 | 4.0 m RT |
| 8+950,4m R | B 1+260.58 | 4.0 m RT | 8+950.00 | 4.0 m RT |
| 393 | B 1+261.17 | 15.0 m RT | 8+950.00 | 15.0 m RT |
| 396 | B 1+261.17 | 35.0 m RT | 8+950.00 | 35.0 m RT |
| 401 | B 1+311.17 | 14.0 m LT | 9+000.00 | 14.0 m LT |
| 9+000,4m R | B 1+310.74 | 4.0 m RT | 9+000.00 | 4.0 m RT |
| 9+050,4m R | B 1+360.82 | 4.0 m RT | 9+050.00 | 4.0 m RT |
| 416 | B 1+411.17 | 14.0 m LT | 9+100.00 | 14.0 m LT |
| 9+100,4m R | B 1+410.76 | 4.0 m RT | 9+100.00 | 4.0 m RT |
| 9+150,4m R | B 1+460.87 | 4.0 m RT | 9+150.00 | 4.0 m RT |
| 428 | B 1+510.64 | 14.0 m LT | 9+200.00 | 14.0 m LT |
| 9+200,4m R | B 1+510.64 | 4.0 m RT | 9+200.00 | 4.0 m RT |
| 453 | B 1+706.17 | 14.0 m LT | 9+395.00 | 14.0 m LT |
| 454 | B 1+706.17 | 11.5 m LT | 9+395.00 | 11.5 m LT |

ALL DIMENSIONS IN MILLIMETERS EXCEPT WHERE OTHERWISE INDICATED.



PROJECT NAME: BENNINGTON - HOOSICK
PROJECT NUMBER: DPI0146 (I) C/3

FILE NAME: borrow detail.dgn
PROJECT LEADER: GAS
DESIGNED BY: BJM
BORROW AREA DETAILS

PLOT DATE: 10/10/2001
DRAWN BY: MBL
CHECKED BY: GAS
SHEET 296 OF 473