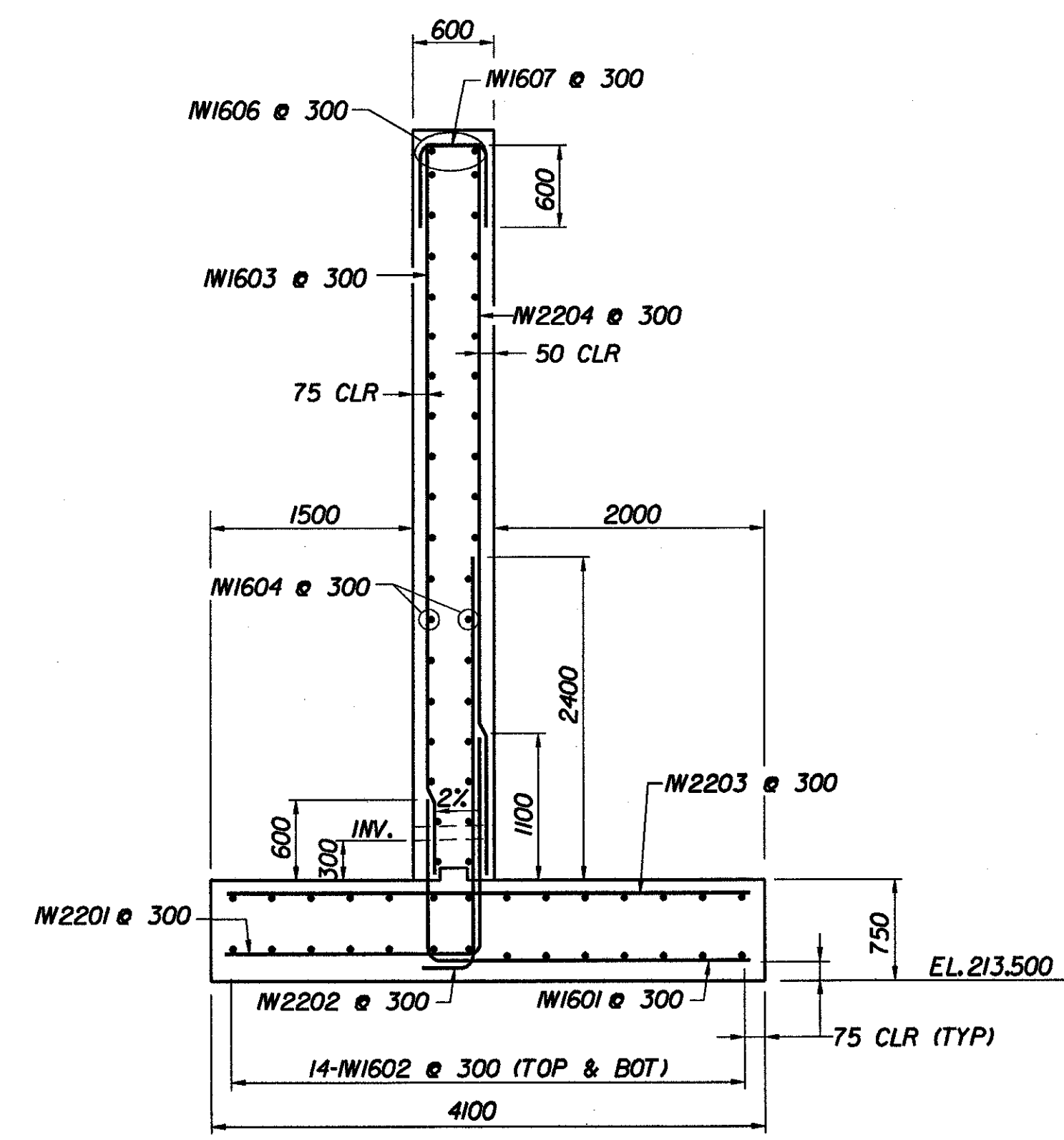
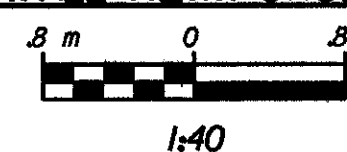
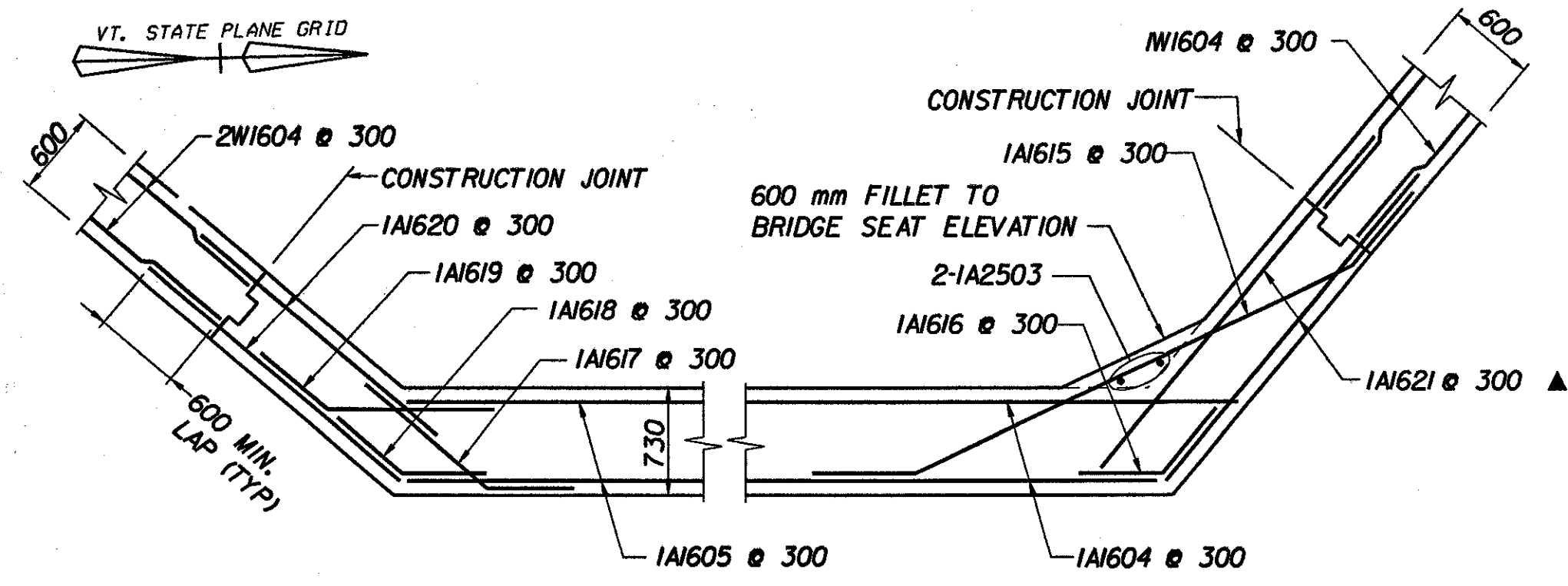
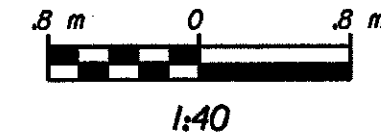


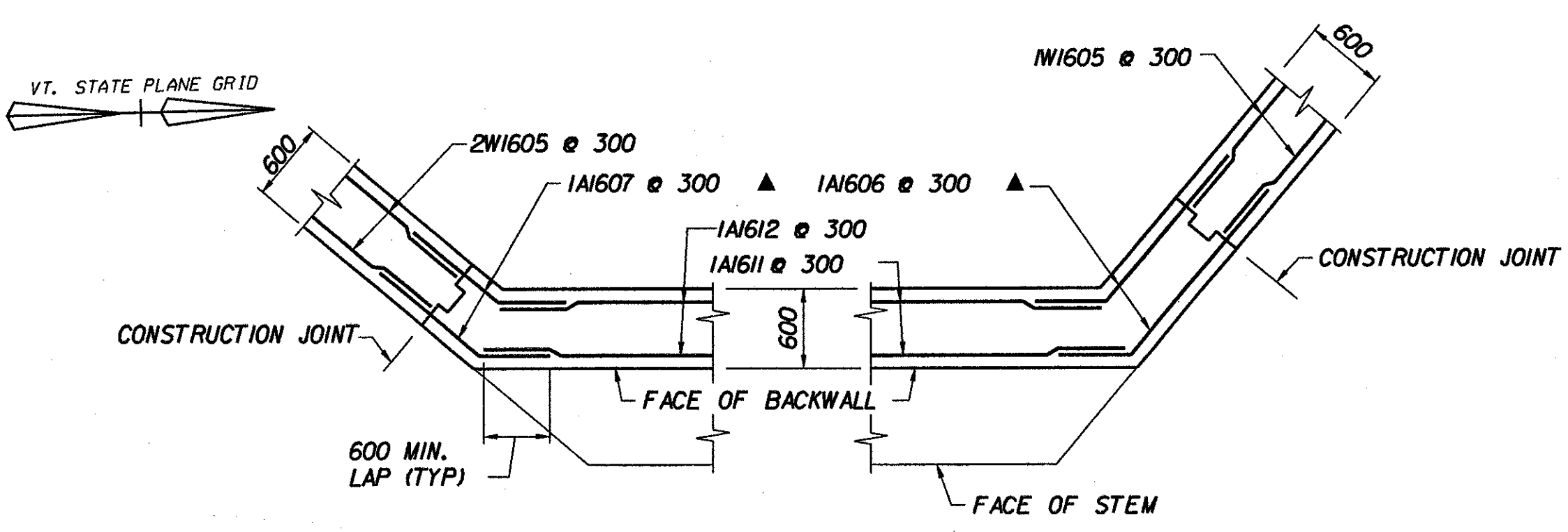
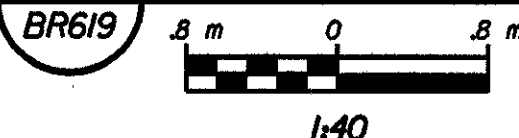
**ABUTMENT I WINGWALL REINFORCEMENT ELEVATION**



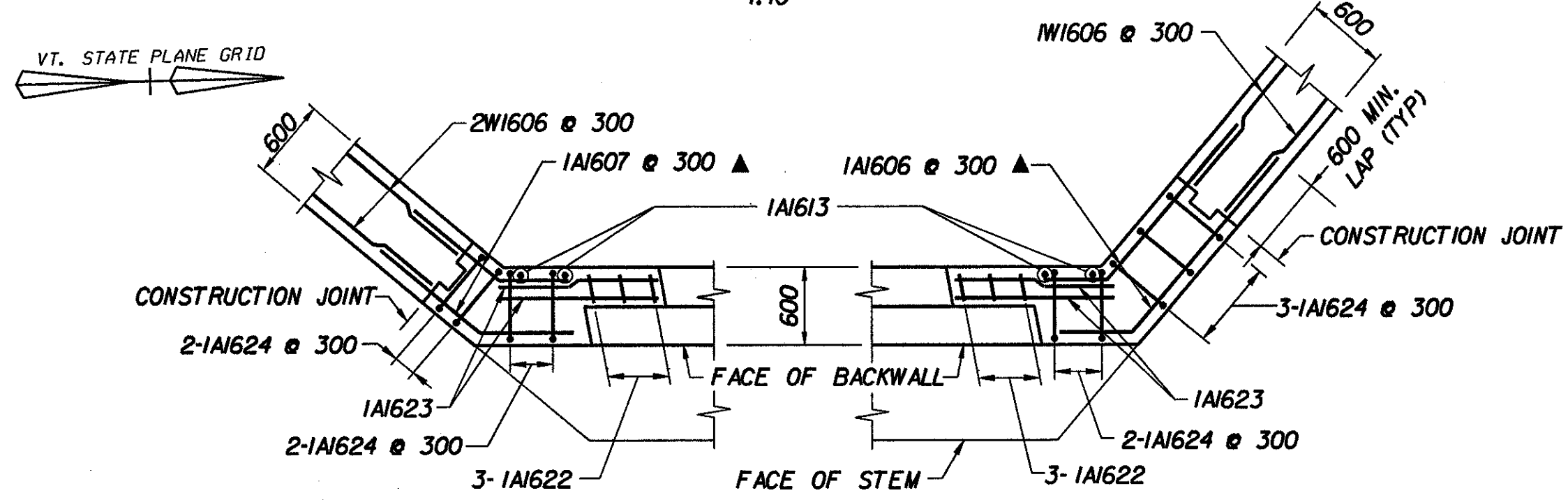
**TYPICAL WINGWALL SECTION**



**ABUTMENT I CORNER REINFORCEMENT PLAN**



**ABUTMENT I CORNER & BACKWALL REINFORCEMENT PLAN**



**ABUTMENT I TOP OF BACKWALL REINFORCEMENT PLAN**



**STATE OF VERMONT  
AGENCY OF TRANSPORTATION**

Town Of	BENNINGTON	Bridge No.	BR600
Highway No.	VT. RTE. 9	Log Sta.	
		Surv. Sta.	15+170
VT. RTE. 9 OVER AUSTIN HILL ROAD			
ABUTMENT I WINGWALL DETAILS			
Designed By	M. GOGUEN	Drawn by	B. WEATHERBY
Checked By	P. PERKINS 11/01	Bridge Design Supervisor	M. OLSTAD Date 11/01
PROJECT	BENNINGTON-HOOSICK	PROJECT NO.	D.P.I. 014610
I.G.C. Info.			
Bridge Sheet No.	BR622	Sheet	284 OF 473



FILE NAME: s:\3573\15\br-600\ab-1\wsh.plt DATE/TIME: 10/11/2001 USER: b84