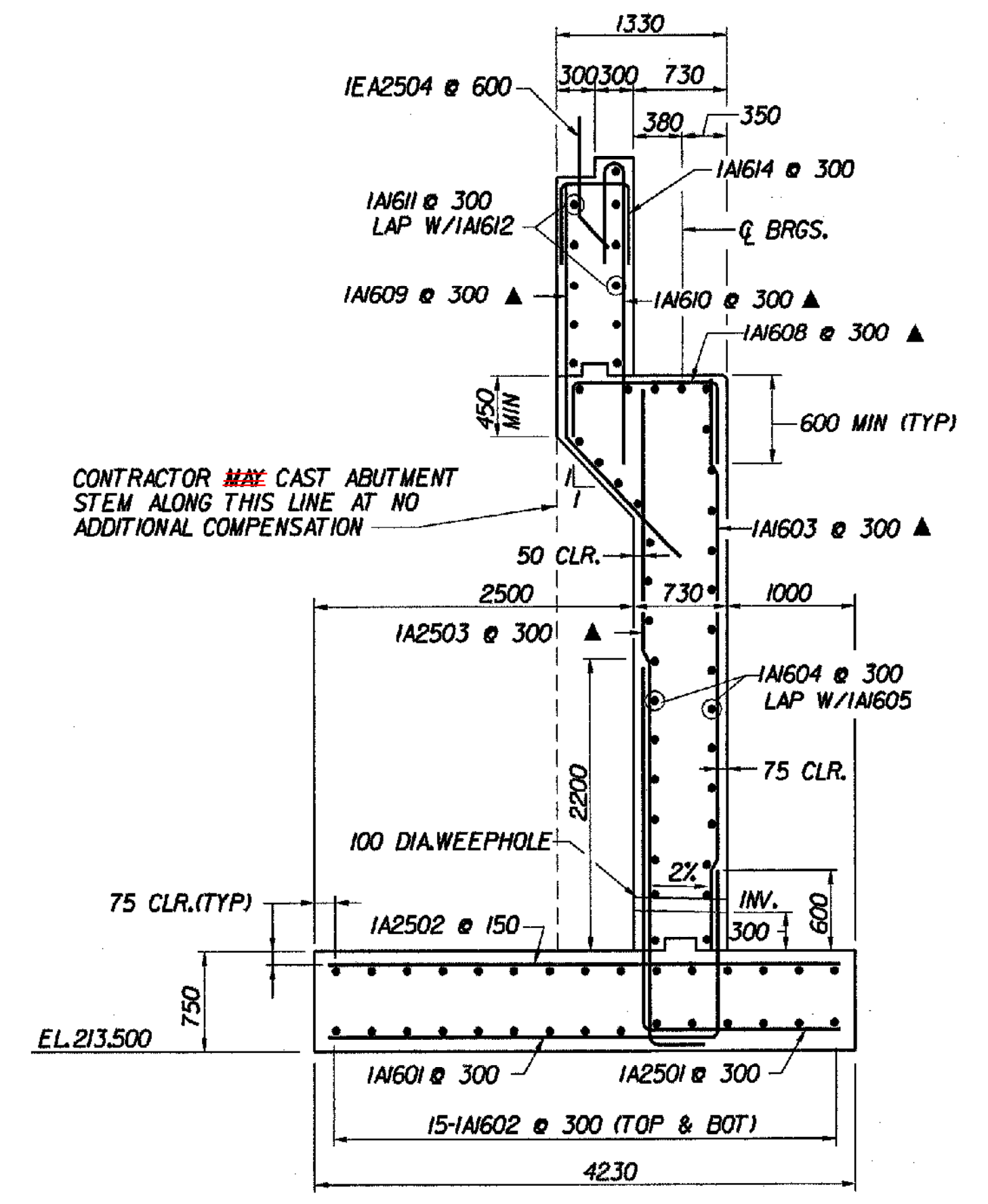
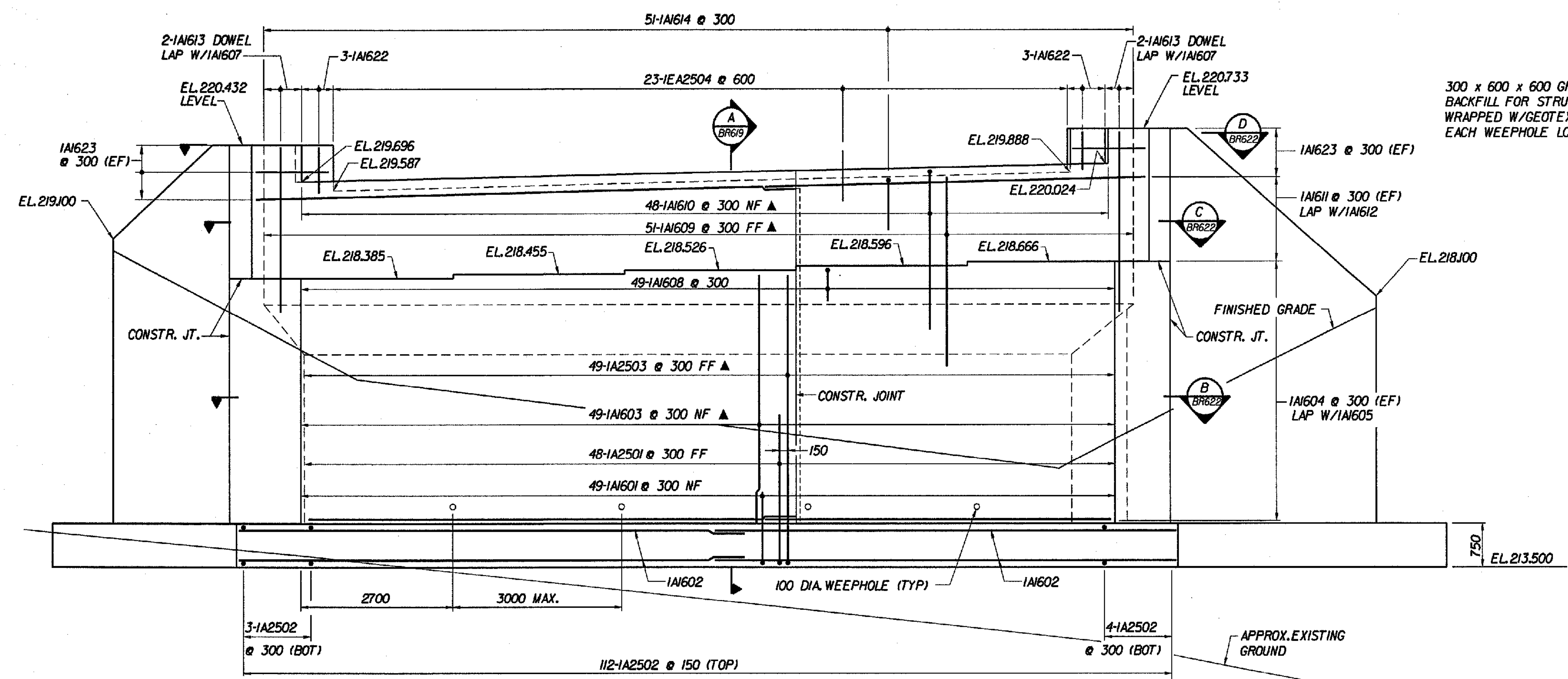


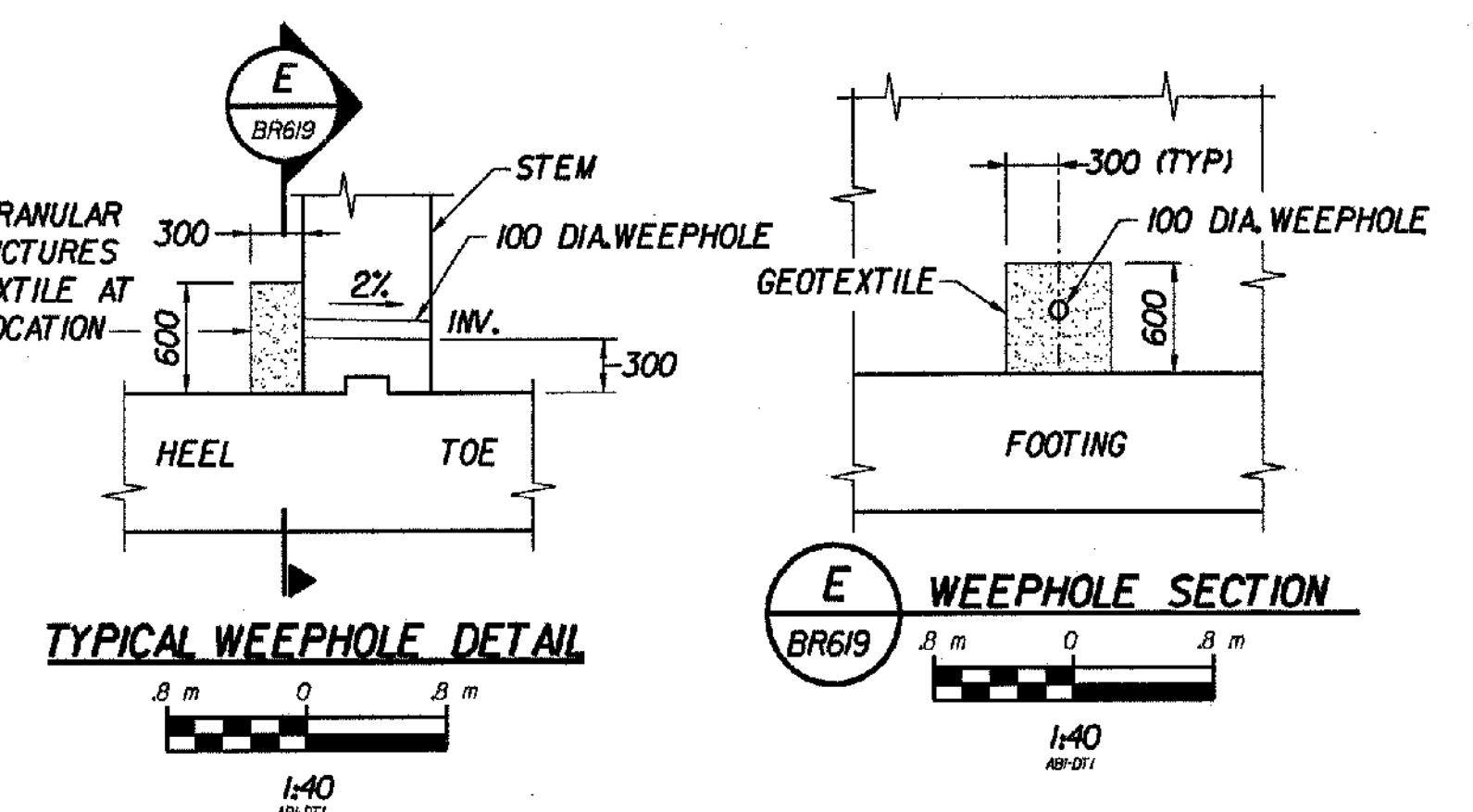
**PLAN**  
1:50  
AS PL.



**A ABUTMENT SECTION**  
1:40  
AS SECT.



**ELEVATION**  
1:50  
AS PL.



**NOTE:**  
THIS WILL BE PAID FOR UNDER THE 'GRANULAR BACKFILL FOR STRUCTURES' ITEM 204.30

**STATE OF VERMONT  
AGENCY OF TRANSPORTATION**

Town Of	BENNINGTON	Bridge No.	BR600
Highway No.	VT. RTE. 9	Log Sta.	
		Surv. Sta.	15+170
VT. RTE. 9 OVER AUSTIN HILL ROAD			
ABUTMENT I PLAN AND ELEVATION			
Designed By	M. GOGUEN	Drawn by	B. WEATHERBY
Checked By	P. PERKINS	Date	11/01
		Bridge Design Supervisor	M. OLSTAD
		Date	11/01
PROJECT	BENNINGTON-HOOSICK	PROJECT NO.	D.P.J. 0146(1)
I.G.C. Info.			



FILE NAME = A:\2007\1517\1517-600-abutment.plt  
DATE/TIME = 10/11/2007  
USER = B64