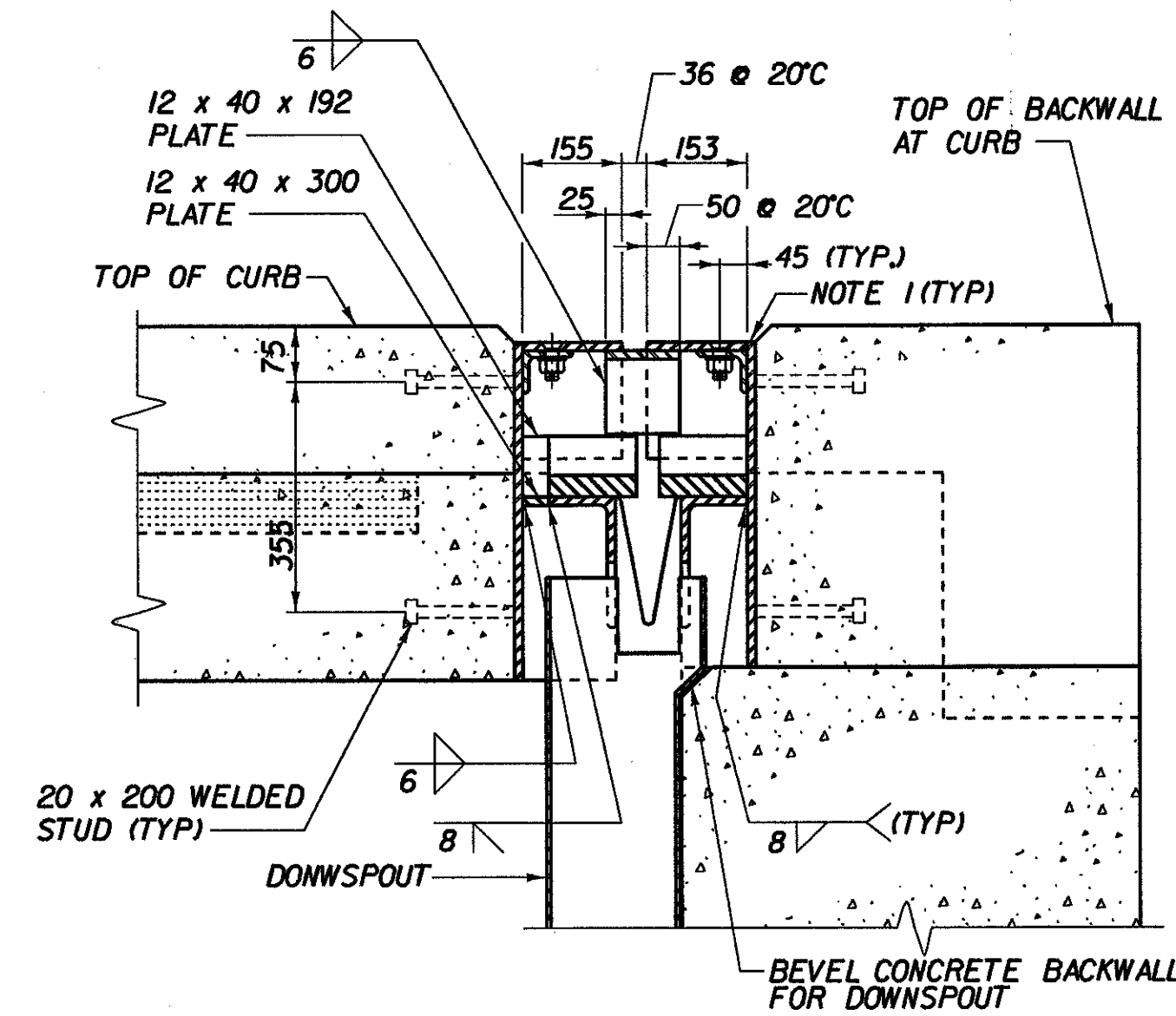
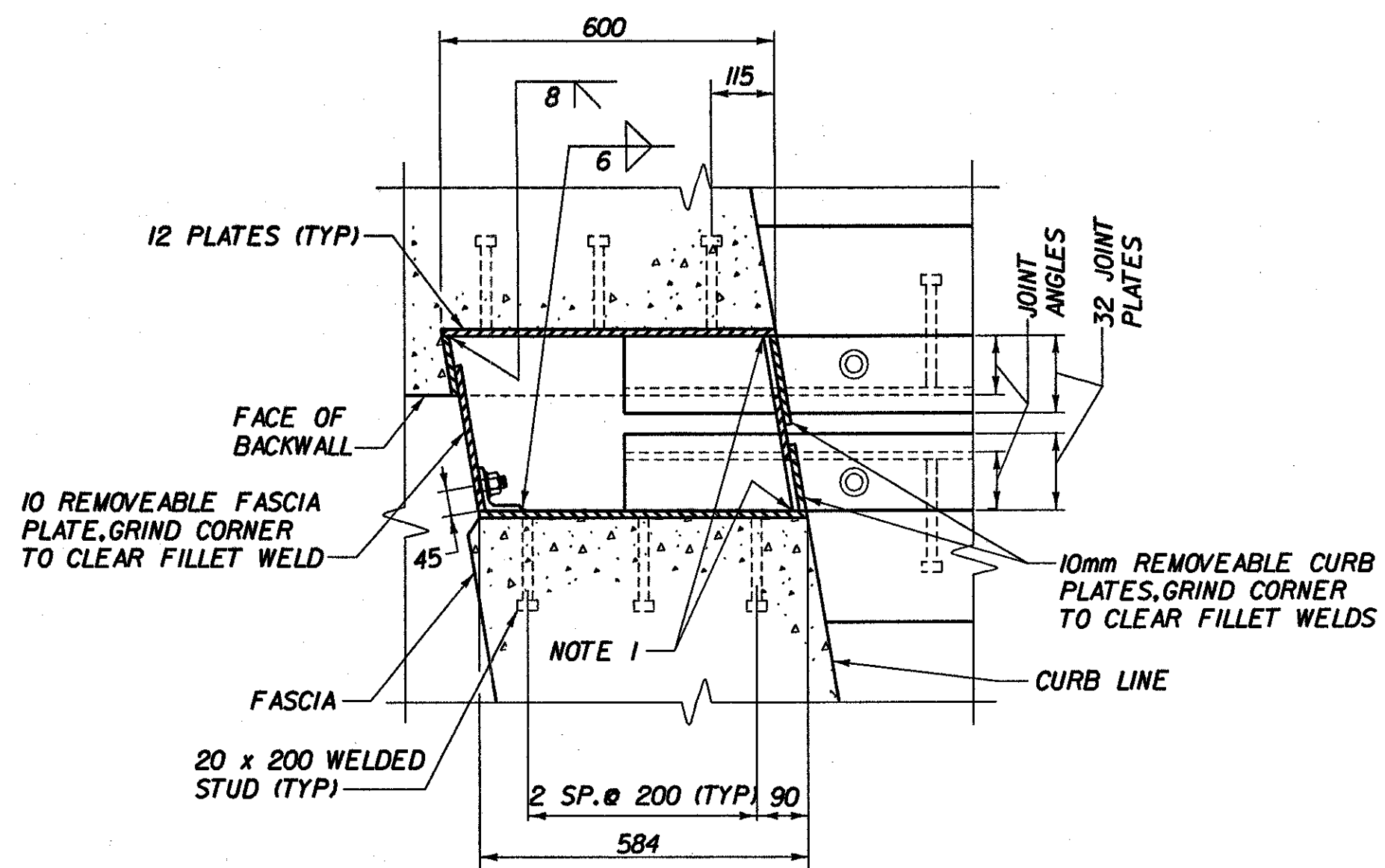


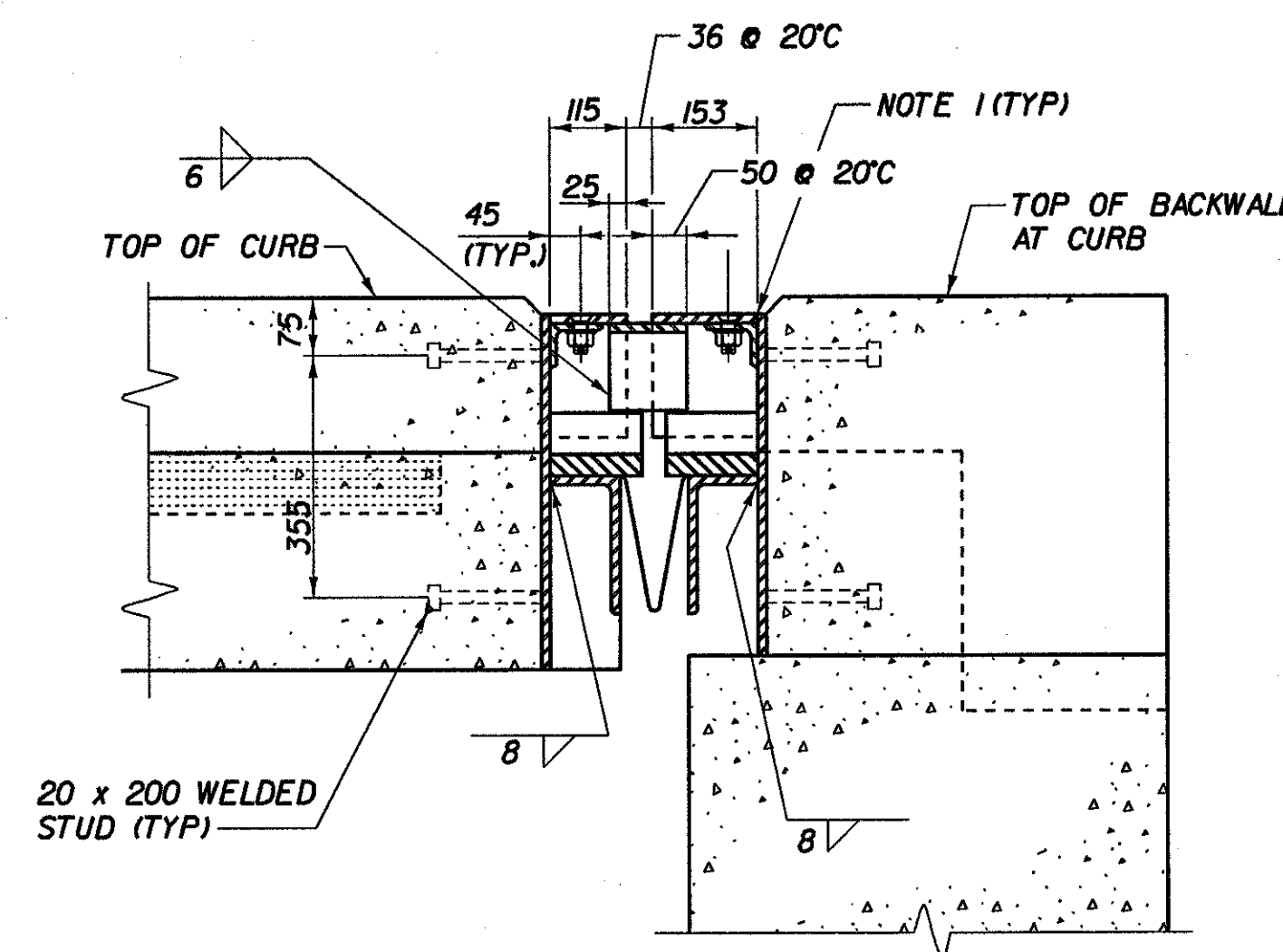
F PARTIAL JOINT PLAN (WITH DOWNSPOUT)
BR614
2 m 0 2 m
1:2.5



G JOINT SECTION AT CURB (WITH DOWNSPOUT)
BR614
2 m 0 2 m
1:2.5



D PARTIAL JOINT PLAN
BR614
2 m 0 2 m
1:2.5



E JOINT SECTION AT CURB
BR614
2 m 0 2 m
1:2.5

NOTE:

1. SEAL JOINTS BETWEEN PLATES WITH SILICONE SEALANT, COST INCLUDED IN ITEM 516JO, BRIDGE EXPANSION JOINT.

STATE OF VERMONT AGENCY OF TRANSPORTATION			
Town Of	BENNINGTON	Bridge No.	BR600
Highway No.	VT. RTE. 9	Log Sta.	
		Surv. Sta.	15+170
VT. RTE. 9 OVER AUSTIN HILL ROAD			
EXPANSION JOINT DETAILS			
Designed By	P. PERKINS	Drawn by	B. WEATHERBY
Checked By	Date	Bridge Design Supervisor	Date
	M. OLSTAD 11/01	M. OLSTAD	Date 11/01
PROJECT	BENNINGTON-HOOSICK	PROJECT NO.	D.P.J. 0146(1)
I.G.C. Info.		Sheet 279 OF 473	
Bridge Sheet No. BR617			