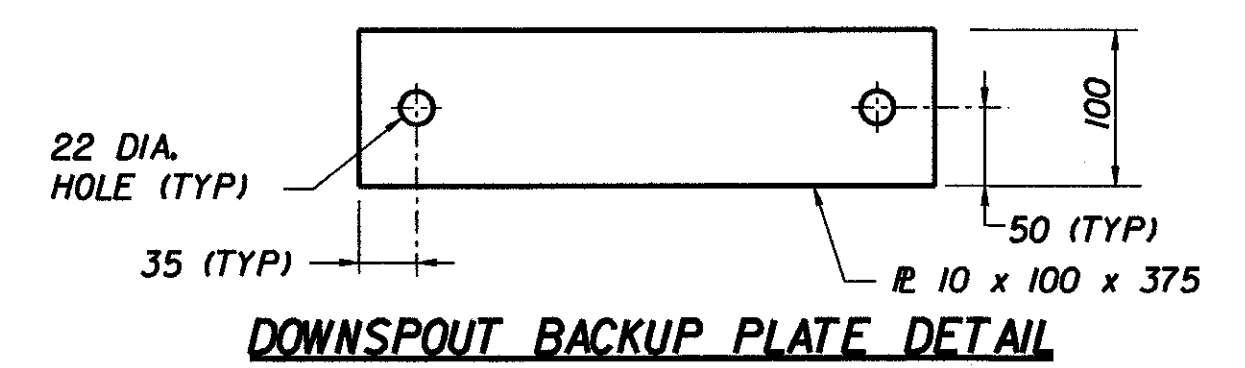
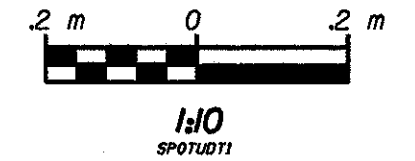
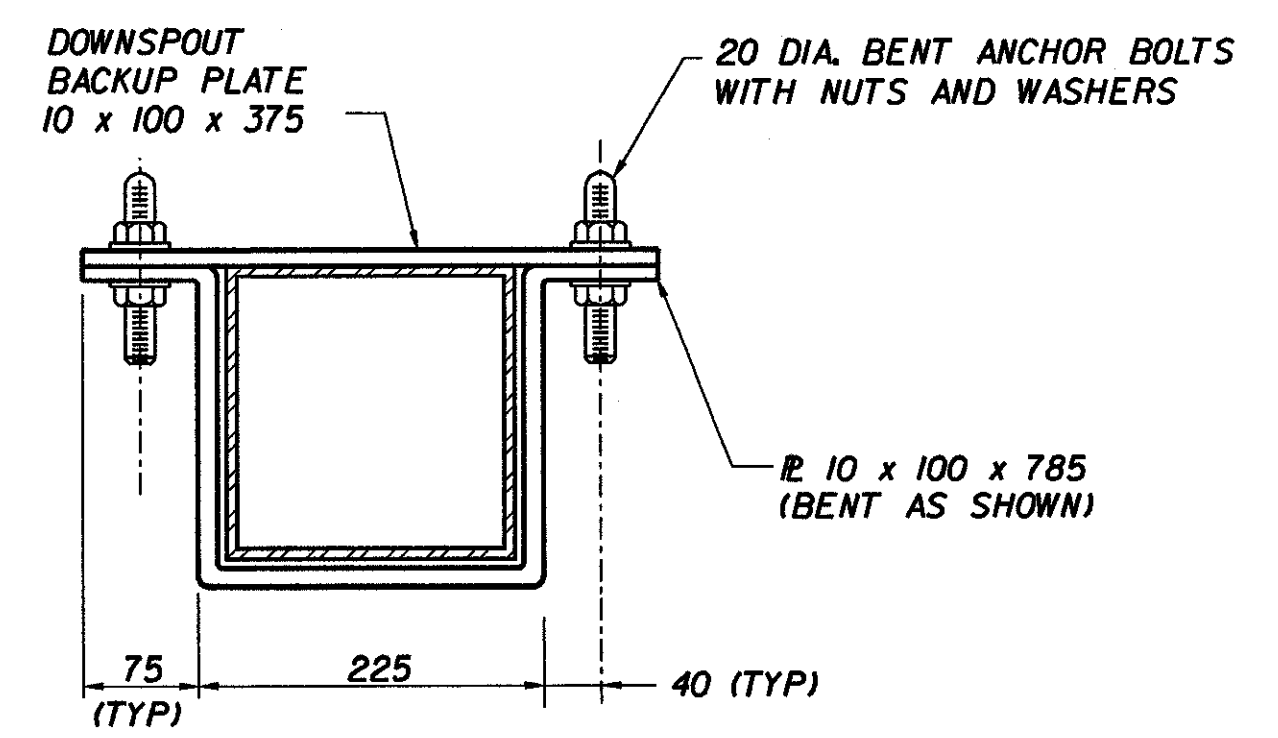


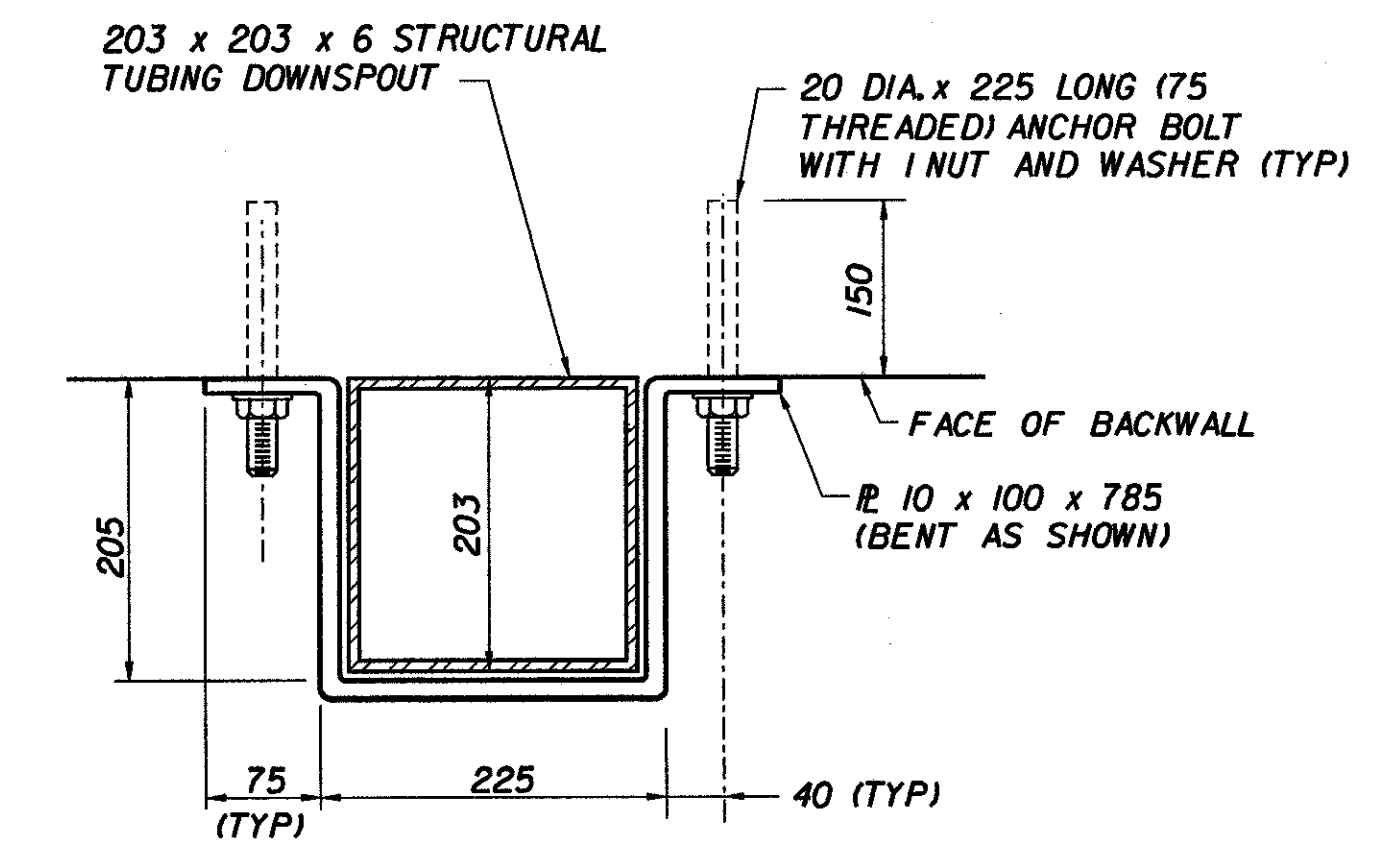
DOWNSPOUT DETAIL (ONLY AT ABUTMENT 2)



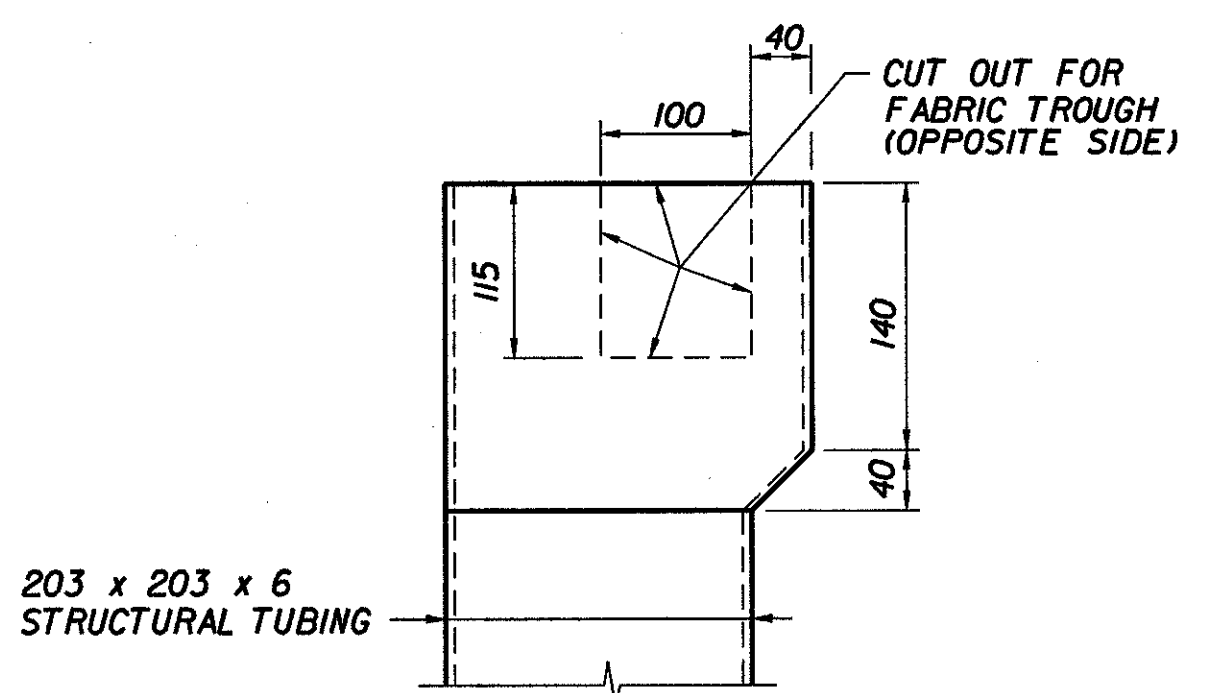
DOWNSPOUT BACKUP PLATE DETAIL



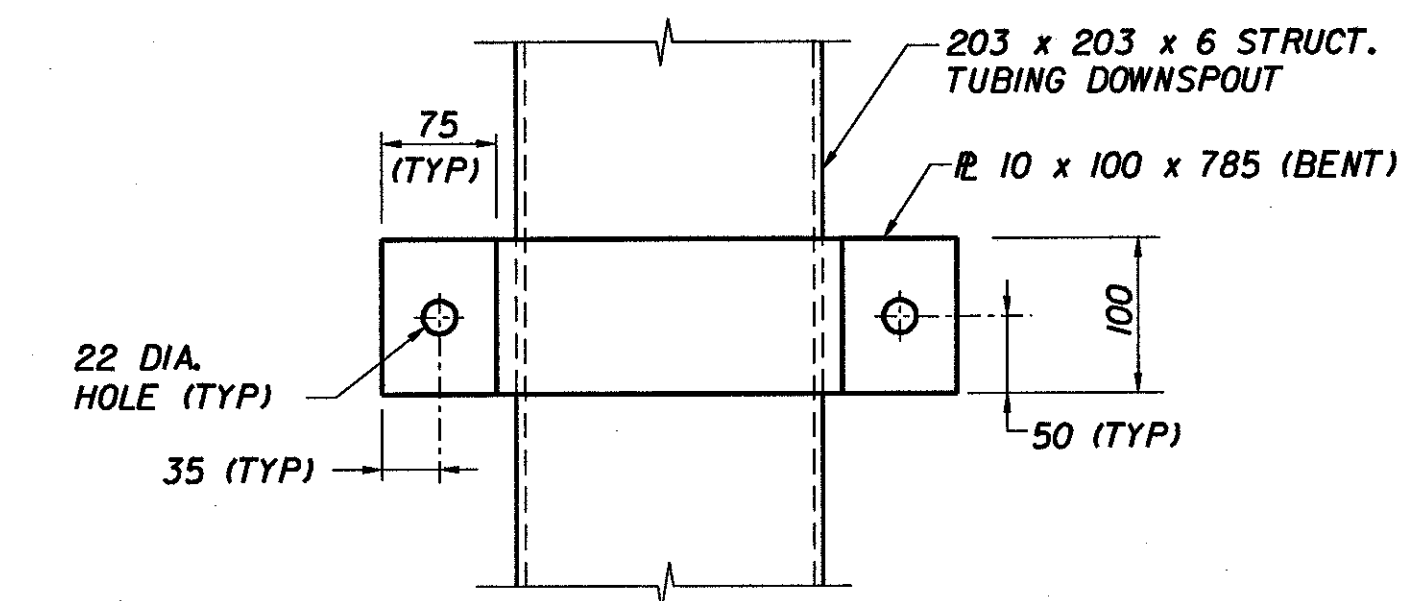
PLAN-DOWNSPOUT CONNECTION DETAIL (AT ABUTMENT SEAT)



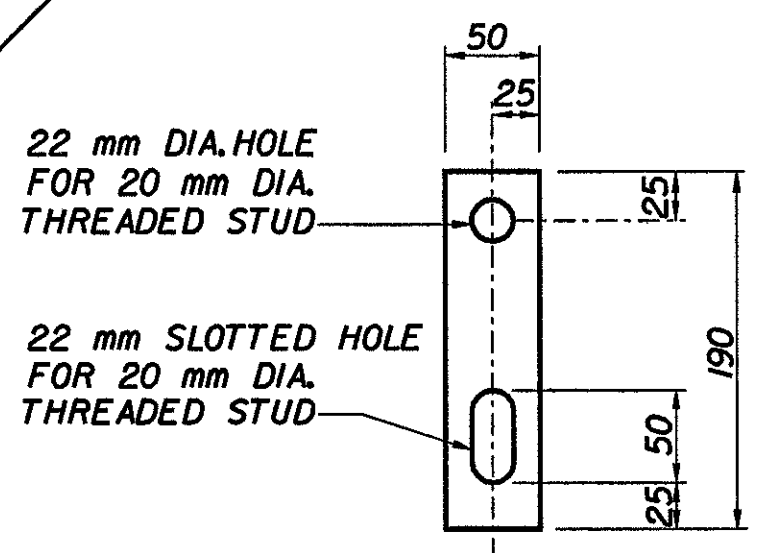
PLAN-DOWNSPOUT CONNECTION DETAIL (AT FACE OF BACKWALL)



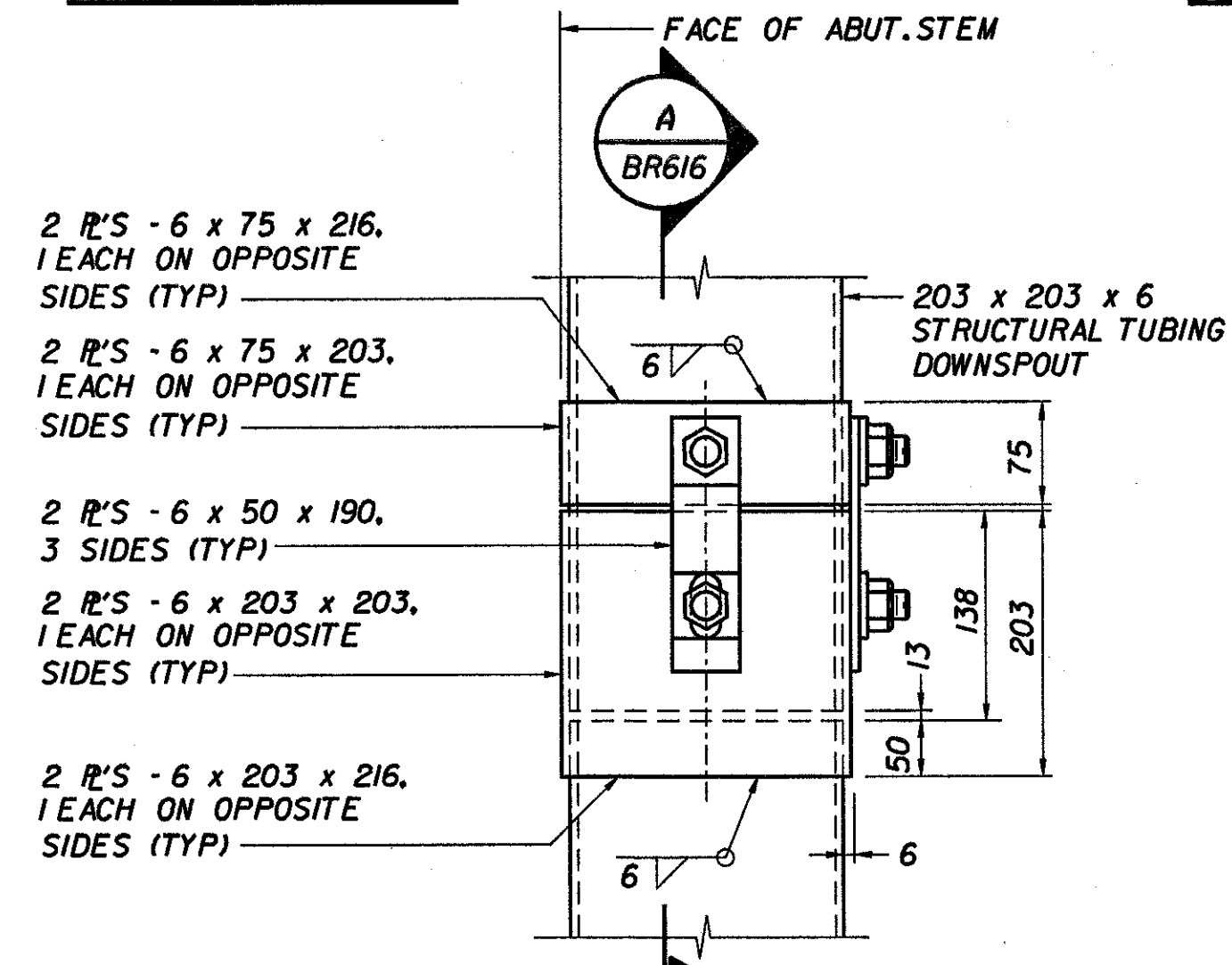
HOPPER ELEVATION



ELEVATION-DOWNSPOUT CONNECTION DETAIL

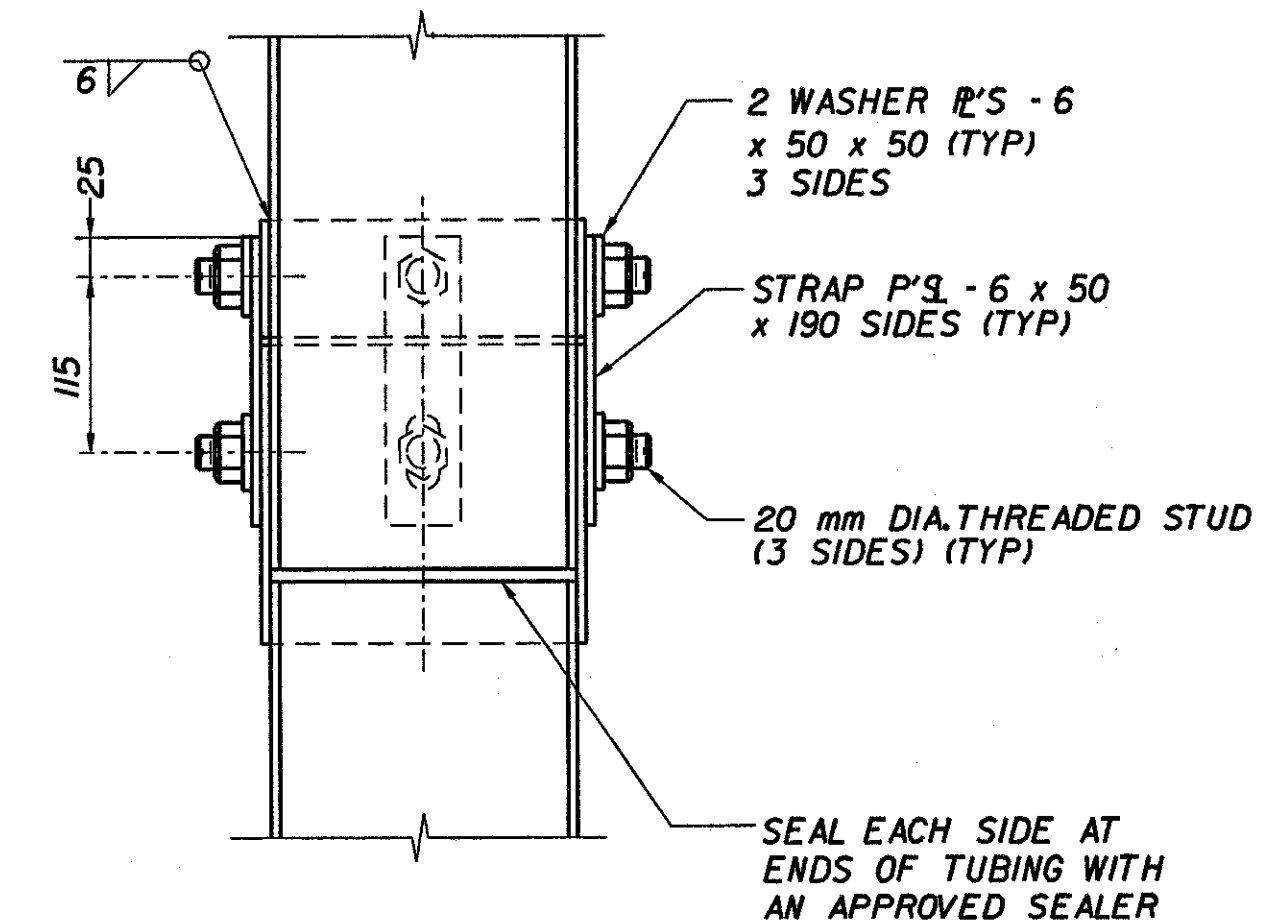
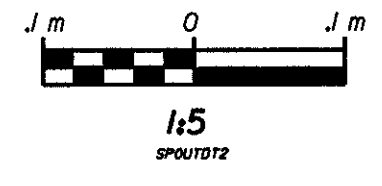


DOWNSPOUT JOINT STRAP DETAIL



ELEVATION-DOWNSPOUT CONNECTION DETAIL

DOWNSPOUT DETAILS



A DOWNSPOUT JOINT

DOWNSPOUT NOTES:

- HOLLOW STRUCTURAL STEEL TUBING SHALL CONFORM TO ASTM A500 GRADE B OR ASTM A501.
- ALL BARS SHALL CONFORM TO AASHTO M270M GRADE 250 AND SHALL BE GALVANIZED.
- DOWNSPOUT SHALL BE GALVANIZED IN ACCORDANCE WITH SECTION 506J5 (a) AFTER FABRICATION.
- ALL DOWNSPOUT BOLTS AND RELATED HARDWARE SHALL CONFORM TO SECTION 714D4 AND SHALL BE GALVANIZED IN ACCORDANCE WITH SECTION 506J5 (a).
- WHERE THE GALVANIZING HAS BEEN REMOVED FROM THE DOWNSPOUT OR 10 mm BAR EITHER BY CUTTING, BURNING, WELDING, PLACING OR ANY OTHER MEANS, IT SHALL BE REPAIRED IN ACCORDANCE WITH SUPPLEMENTAL SPECIFICATION 513.
- DOWNSPOUT HOPPER, CONNECTION PLATES, DOWNSPOUT JOINTS, THREADED STUDS, BOLTS, NUTS, WASHERS AND DRILL AND GROUTED BOLTS SHALL BE PAID FOR UNDER ITEM 506.60, STRUCTURAL STEEL (DOWNSPOUTS).

STATE OF VERMONT AGENCY OF TRANSPORTATION		
Town Of	BENNINGTON	Bridge No. BR600
Highway No.	VT. RTE. 9	Log Sta.
		Surv. Sta. 15+170
VT. RTE. 9 OVER AUSTIN HILL ROAD		
DOWNSPOUT DETAILS AT ABUTMENT 2		
Designed By	M. GOGUEN	Drawn by B. WEATHERBY/D. ADDARIO
Checked By	P. PERKINS 11/01	Bridge Design Supervisor M. OLSTAD Date 11/01
PROJECT	BENNINGTON-HOOSICK	PROJECT NO. D.P.J. 0146(1)
I.G.C. Info.		
Bridge Sheet No.	BR616	Sheet 278 OF 473