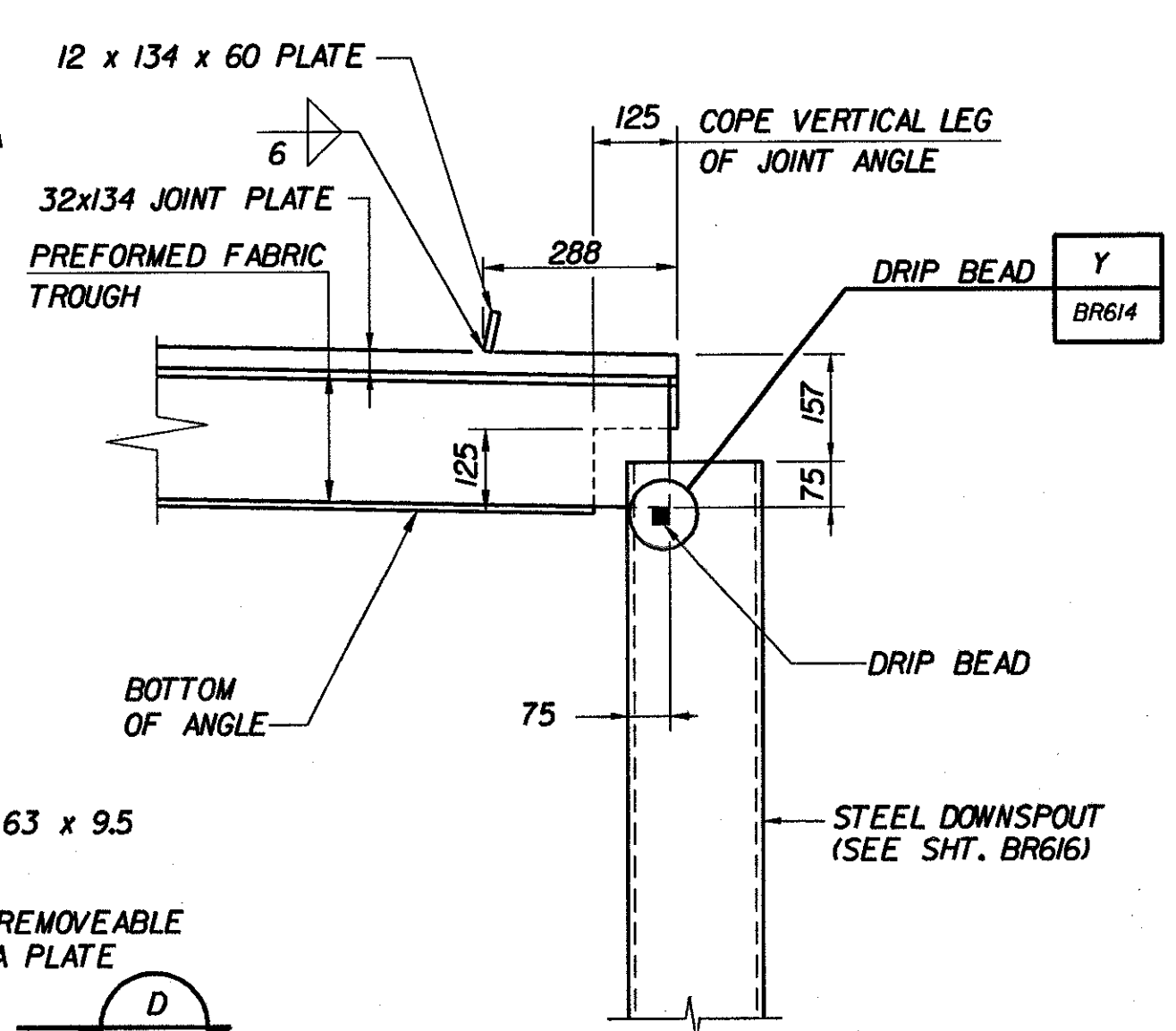
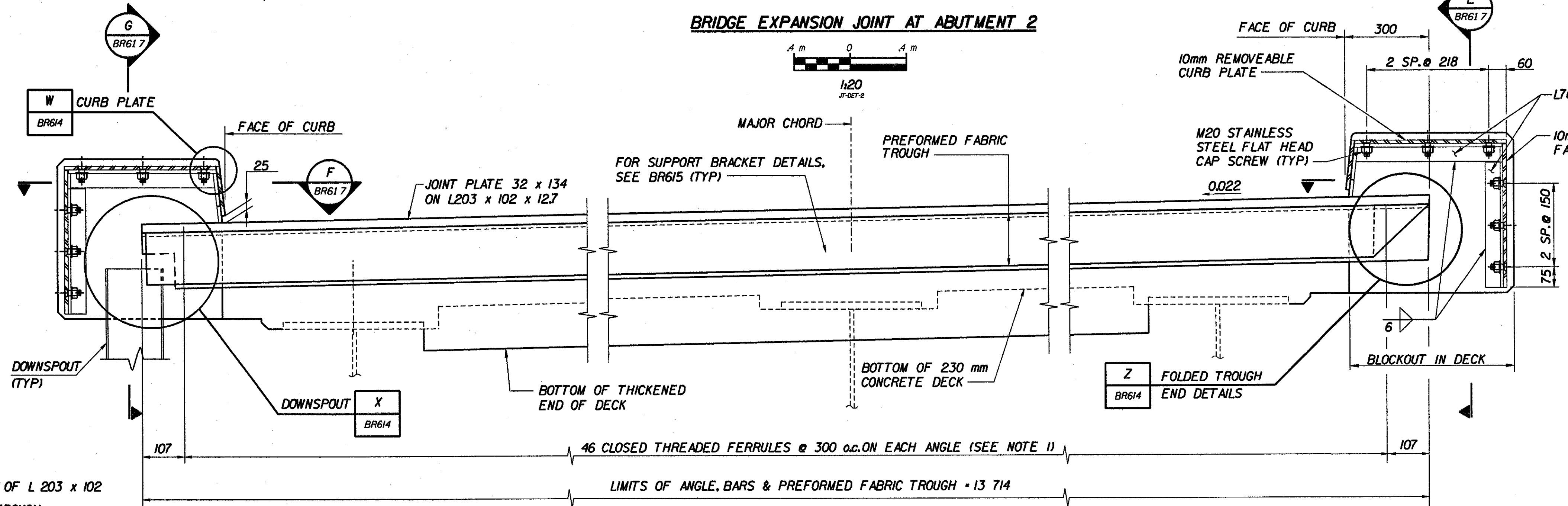


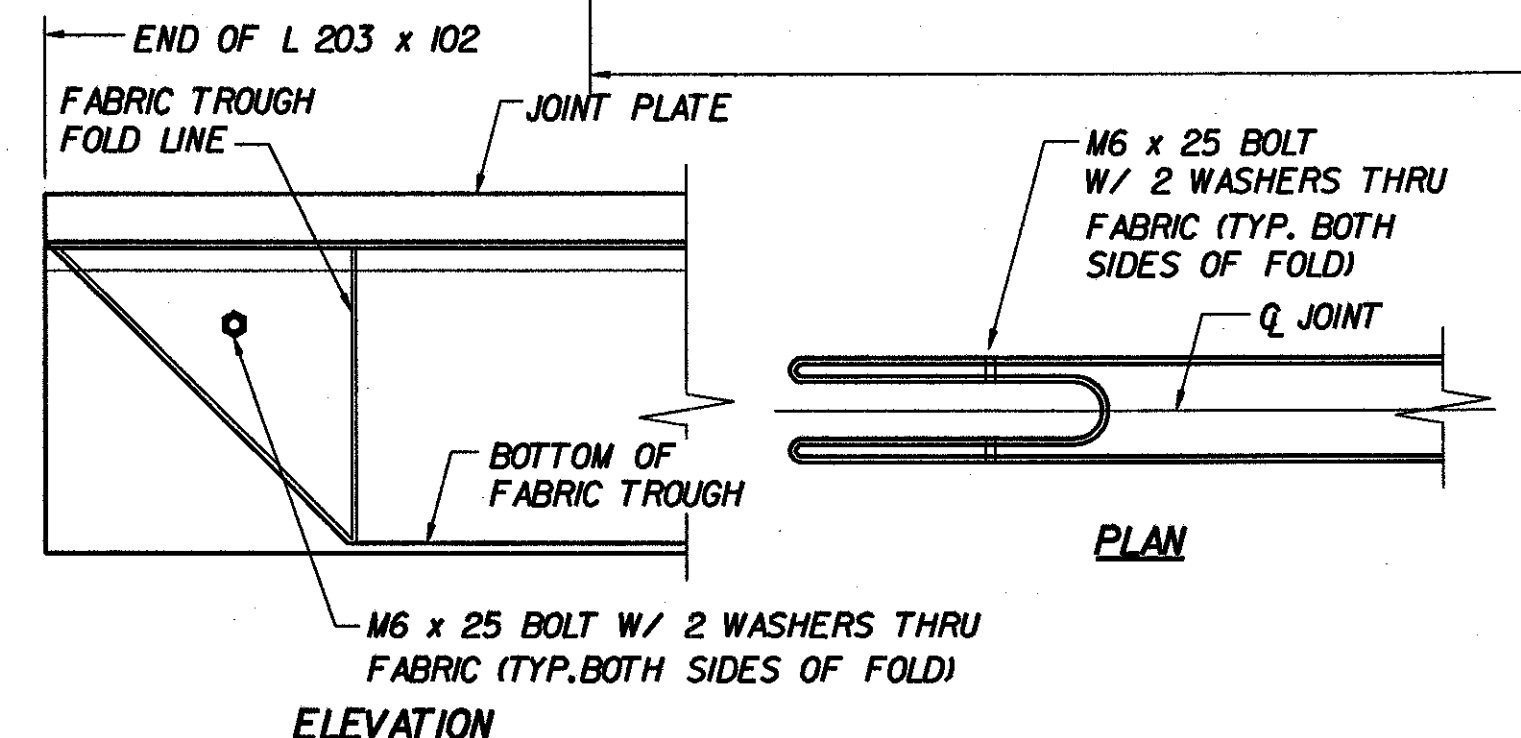
BRIDGE EXPANSION JOINT AT ABUTMENT 2



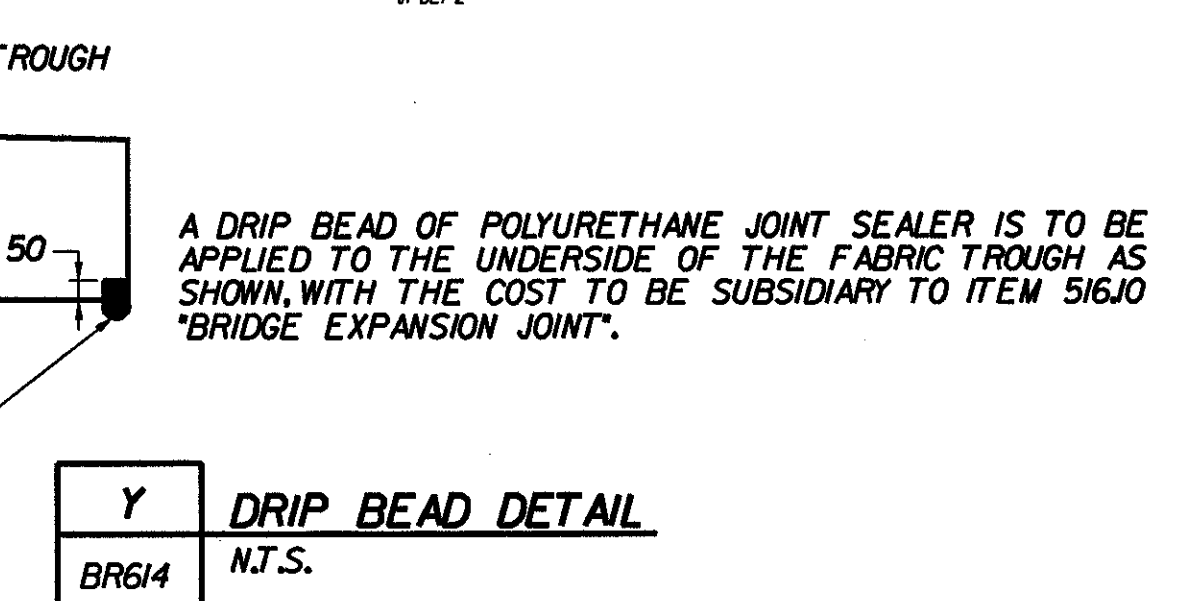
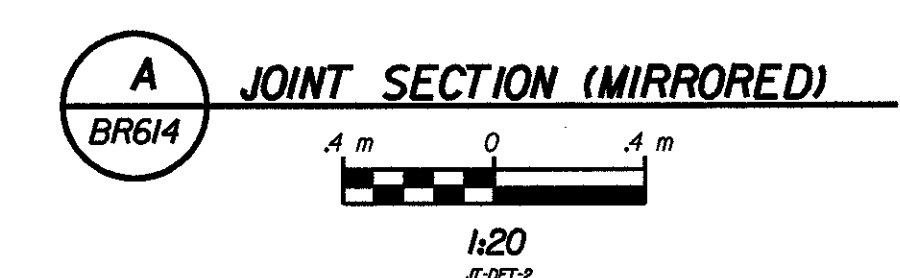
X DOWNSPOUT DETAIL



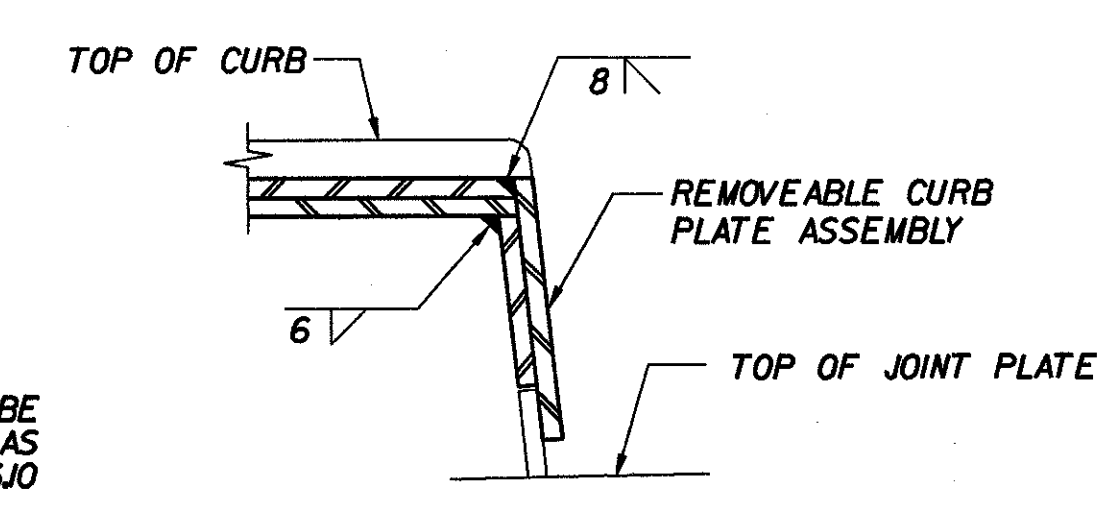
- NOTES:**
1. ADJUST SPACING OF 22 mm DIA. HOLES, WELDED STUDS, AND CLOSED THREADED FERRULES FOR CLEARANCE IN AREAS OF BRACKETS.
 2. SEE SHEET BR615 FOR SECTIONS B AND C.



Z FOLDED TROUGH END DETAILS
BR614 N.T.S.



Y DRIP BEAD DETAIL
BR614 N.T.S.



W CURB PLATE DETAIL
BR614 1:5

STATE OF VERMONT AGENCY OF TRANSPORTATION			
Town Of	BENNINGTON	Bridge No.	BR600
Highway No.	VT. RTE. 9	Log Sta.	
		Surv. Sta.	15+170
VT. RTE. 9 OVER AUSTIN HILL ROAD			
EXPANSION JOINT AT ABUTMENT 2			
Designed By	M. GOGUEN	Drawn by	B. WEATHERBY/D. ADDARIO
Checked By	Date	Bridge Design Supervisor	Date
	P. PERKINS 11/01	M. OLSTAD	11/01
PROJECT	BENNINGTON-HOOSICK		PROJECT NO.
			D.P.I. 0146(1)
I.G.C. Info.			
Bridge Sheet No.	BR614	Sheet	276 OF 473