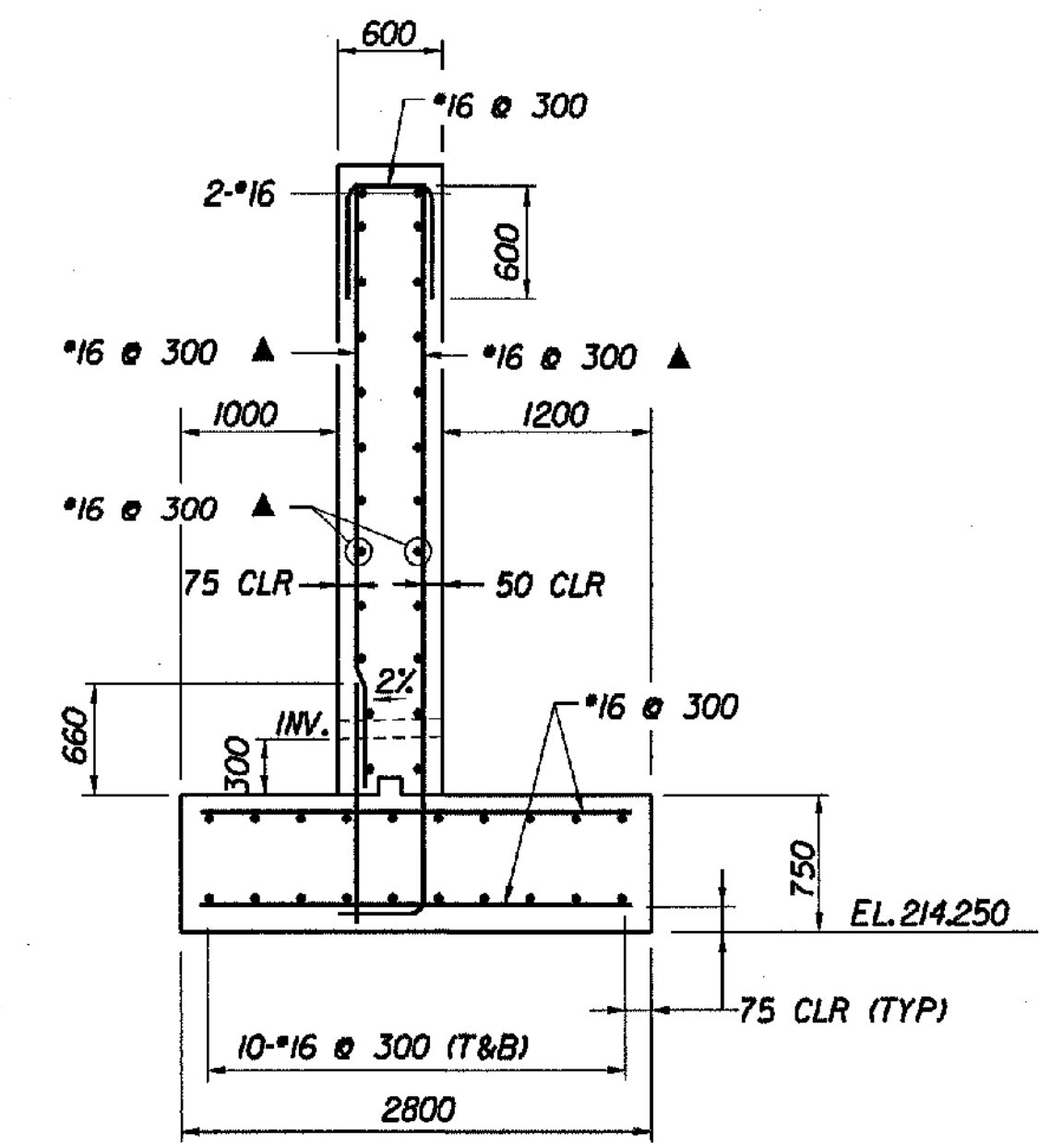
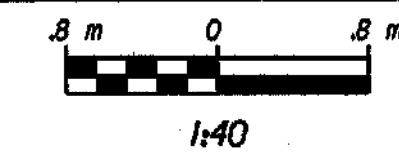


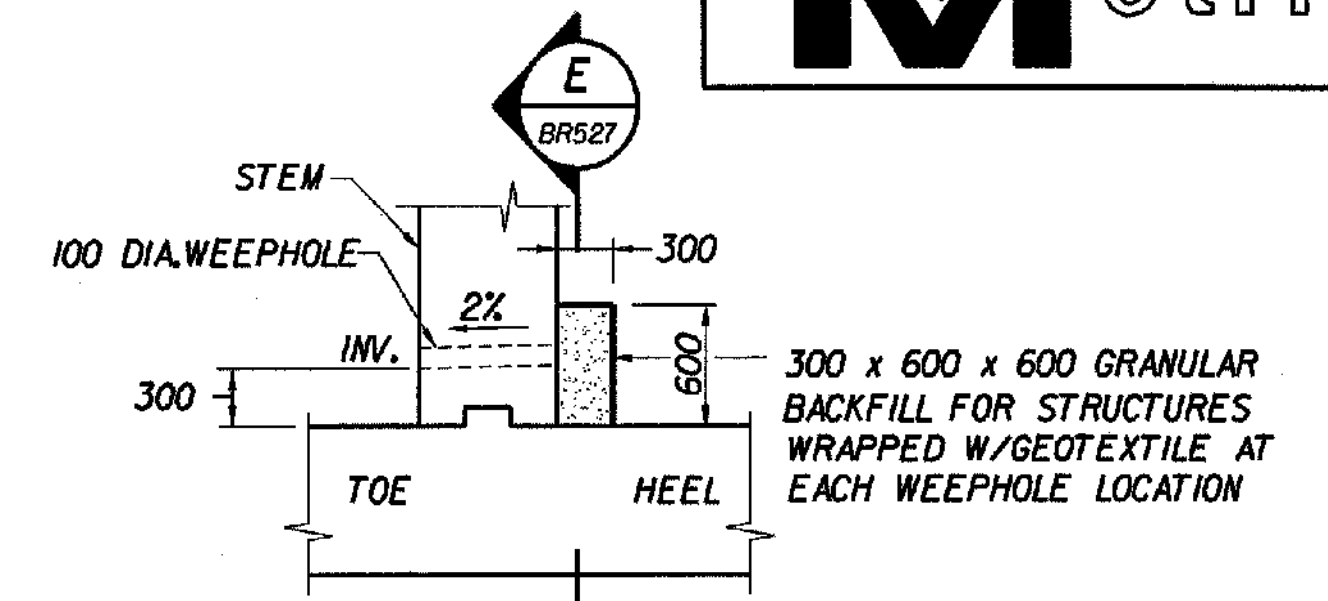
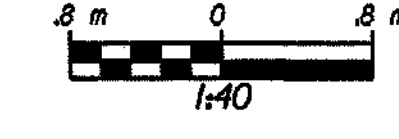
WINGWALL 3

WINGWALL REINFORCEMENT ELEVATIONS

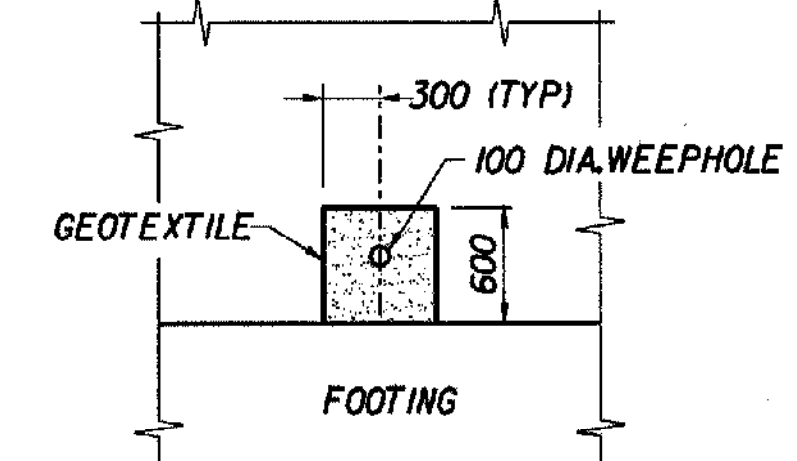
WINGWALL 4



TYPICAL WINGWALL 3 & 4 SECTION



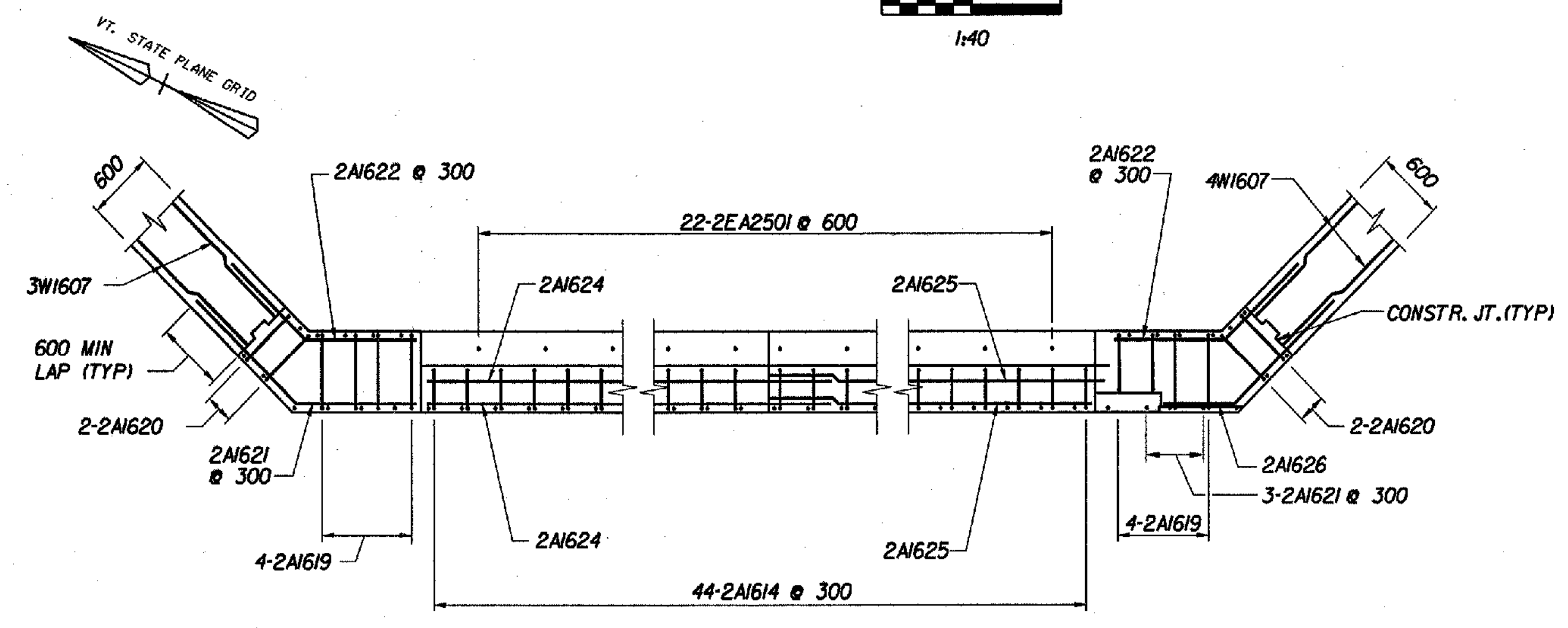
TYPICAL WEEPHOLE DETAIL



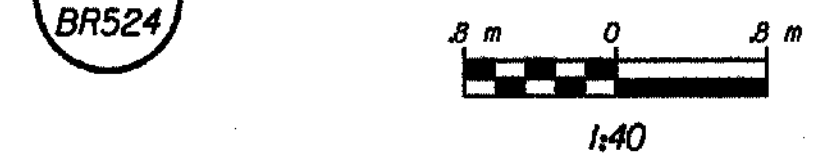
WEEPHOLE SECTION



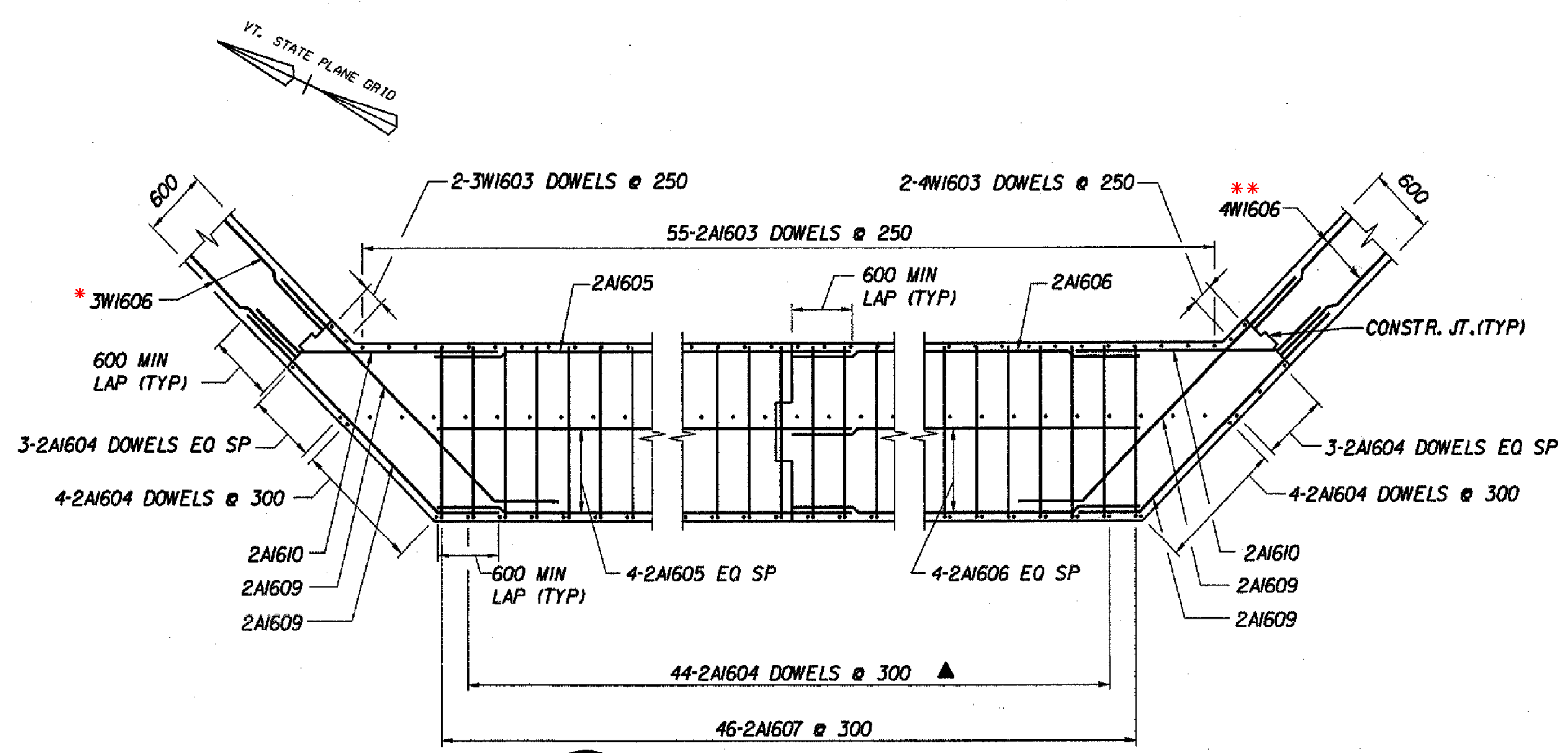
NOTE:  
THIS WILL BE PAID FOR UNDER  
THE "GRANULAR BACKFILL FOR  
STRUCTURES" ITEM 204.30



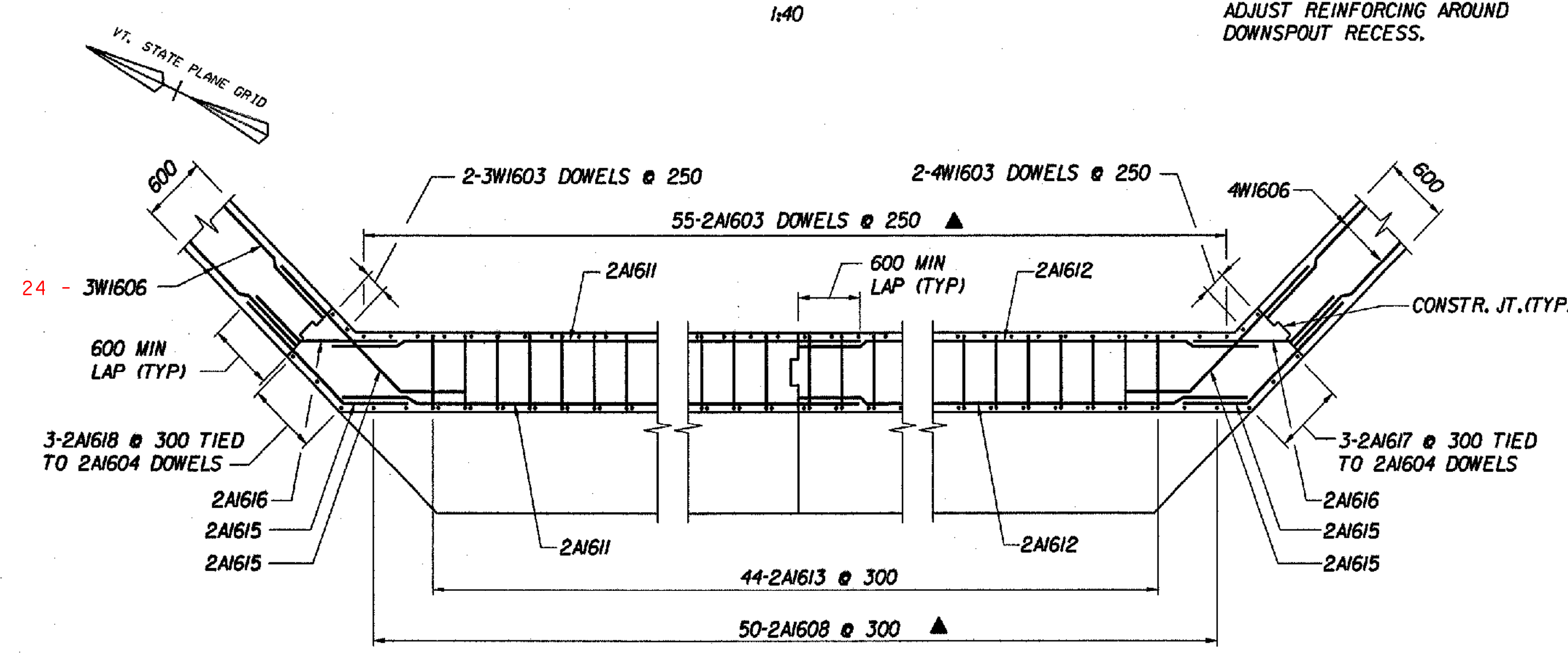
B TOP OF BACKWALL REINFORCEMENT PLAN



NOTE:  
ADJUST REINFORCING AROUND  
DOWNSPOUT RECESS.



D STEM REINFORCEMENT PLAN



C CORNER & BACKWALL REINFORCEMENT PLAN



\*REINF. CHANGE (CHANGE FROM 13 TO 24)  
\*\*REINF. CHANGE (CHANGE FROM 13 TO 24)  
JFW 2/3/06

FILE NAME: s:\3273\1516-5000\02-resh.plt  
DATE/TIME: 10/11/2001  
USER: 584

**STATE OF VERMONT  
AGENCY OF TRANSPORTATION**

Town Of	BENNINGTON	Bridge No.	BR500
Highway No.	VT. RTE. 9	Log Sta.	
		Surv. Sta.	14+900
VT. RTE. 9 OVER AIRPORT BROOK EAST			
ABUTMENT 2 DETAILS			
Designed By	M. GOGUEN	Drawn by	B. WEATHERBY
Checked By	Date	Bridge Design Supervisor	Date
	P. PERKINS 11/01	M. OLSTAD	11/01
PROJECT	BENNINGTON-HOOSICK	PROJECT NO.	D.P.L 0146(1)
I.G.C. Info.			
Bridge Sheet No.	BR527	Sheet	257 OF 473