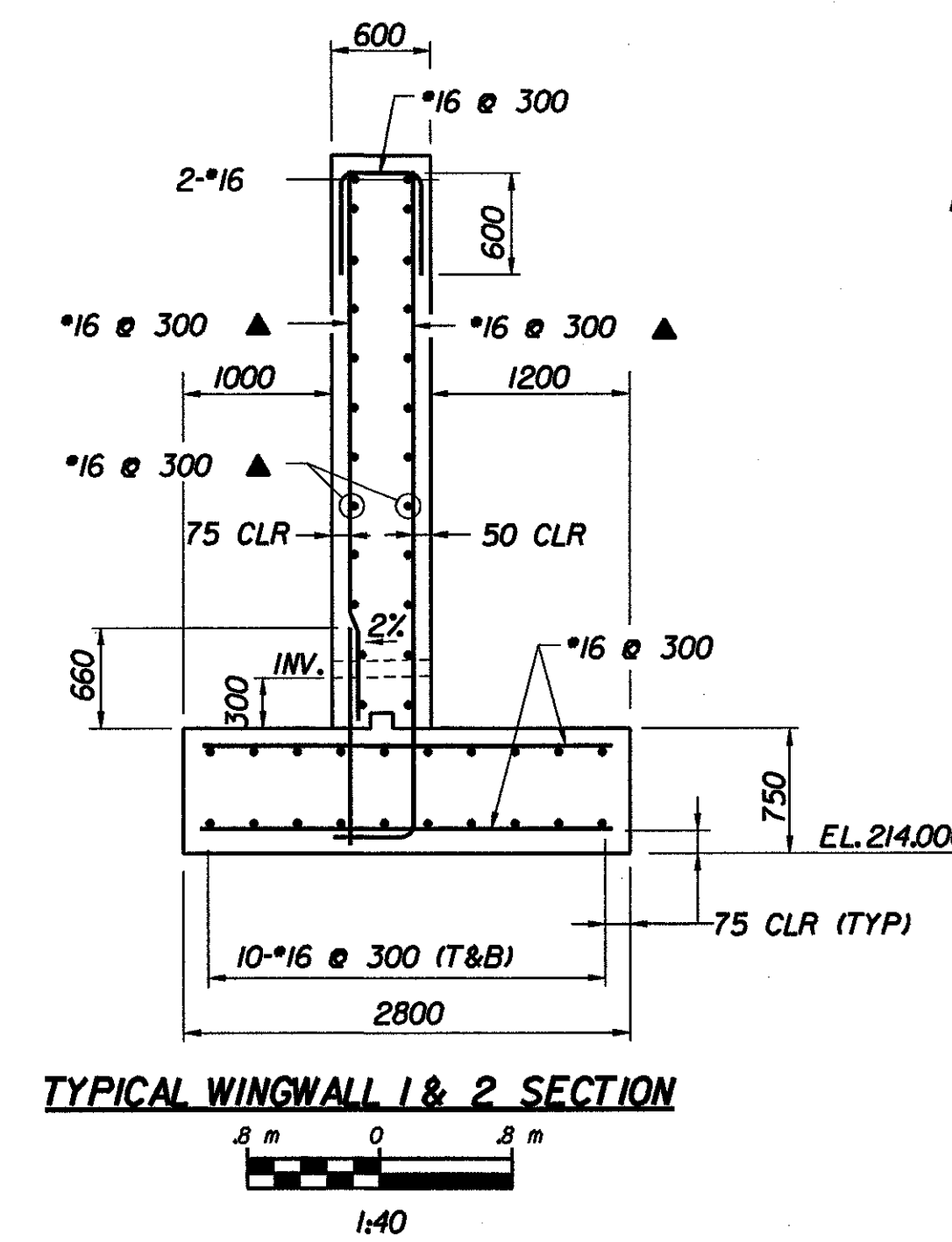
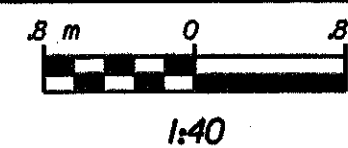
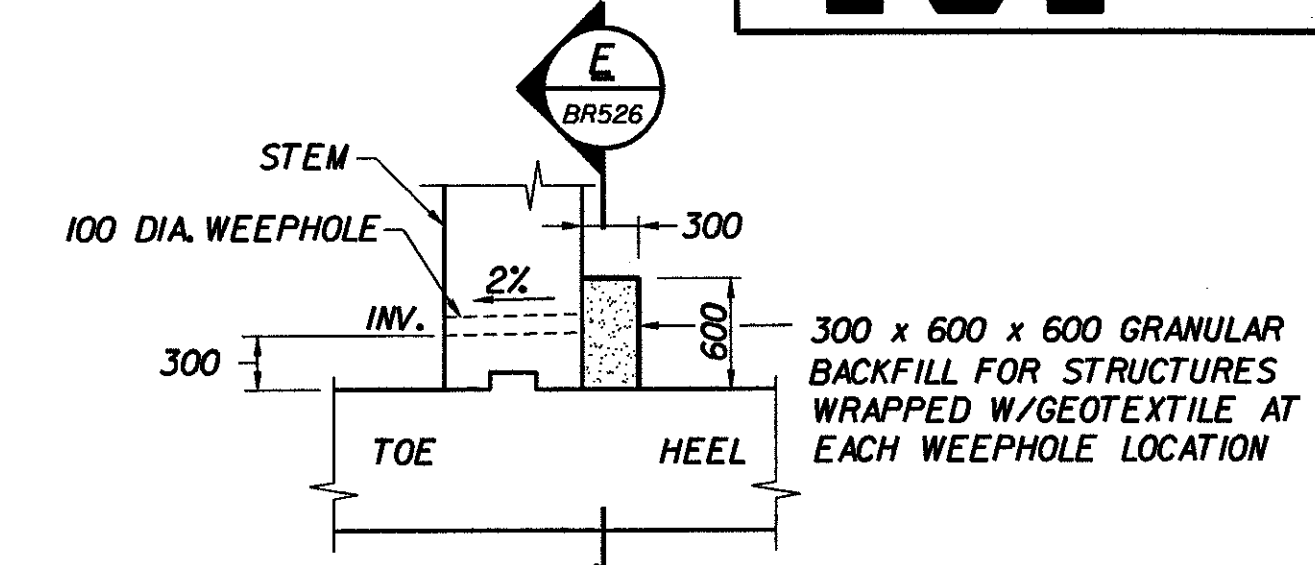
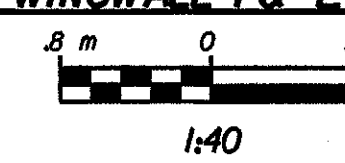


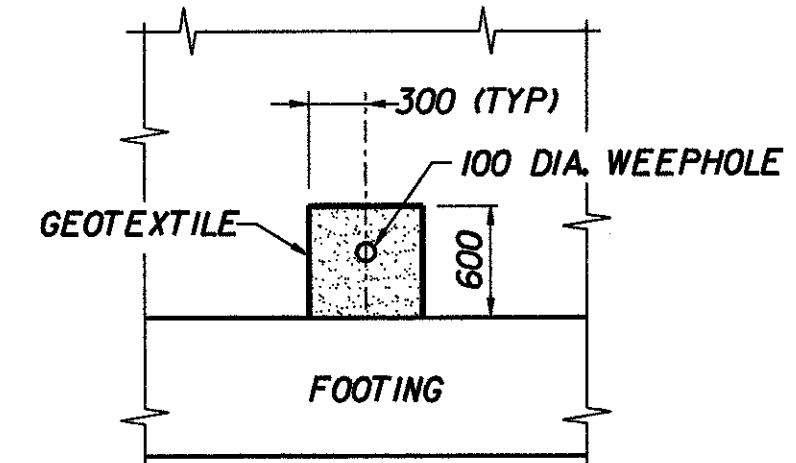
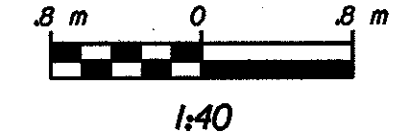
TYPICAL WINGWALL REINFORCEMENT ELEVATIONS



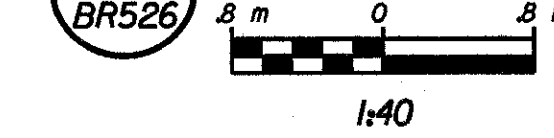
TYPICAL WINGWALL 1 & 2 SECTION



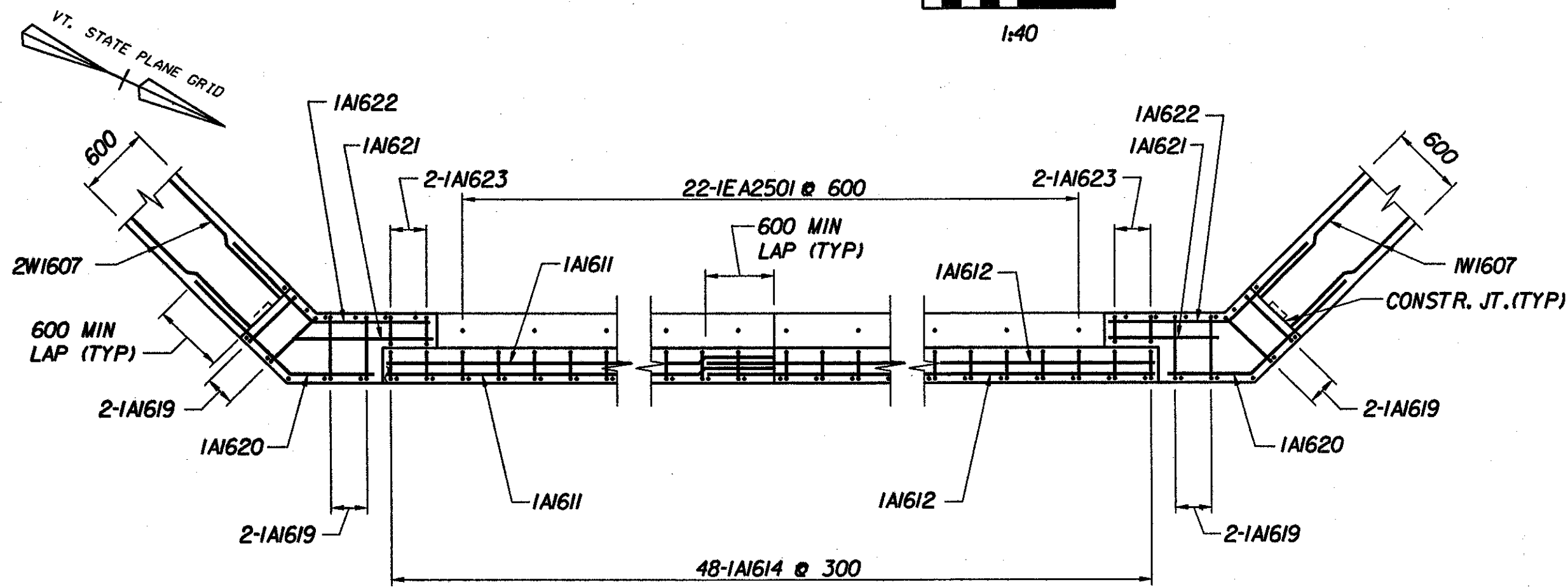
TYPICAL WEEPHOLE DETAIL



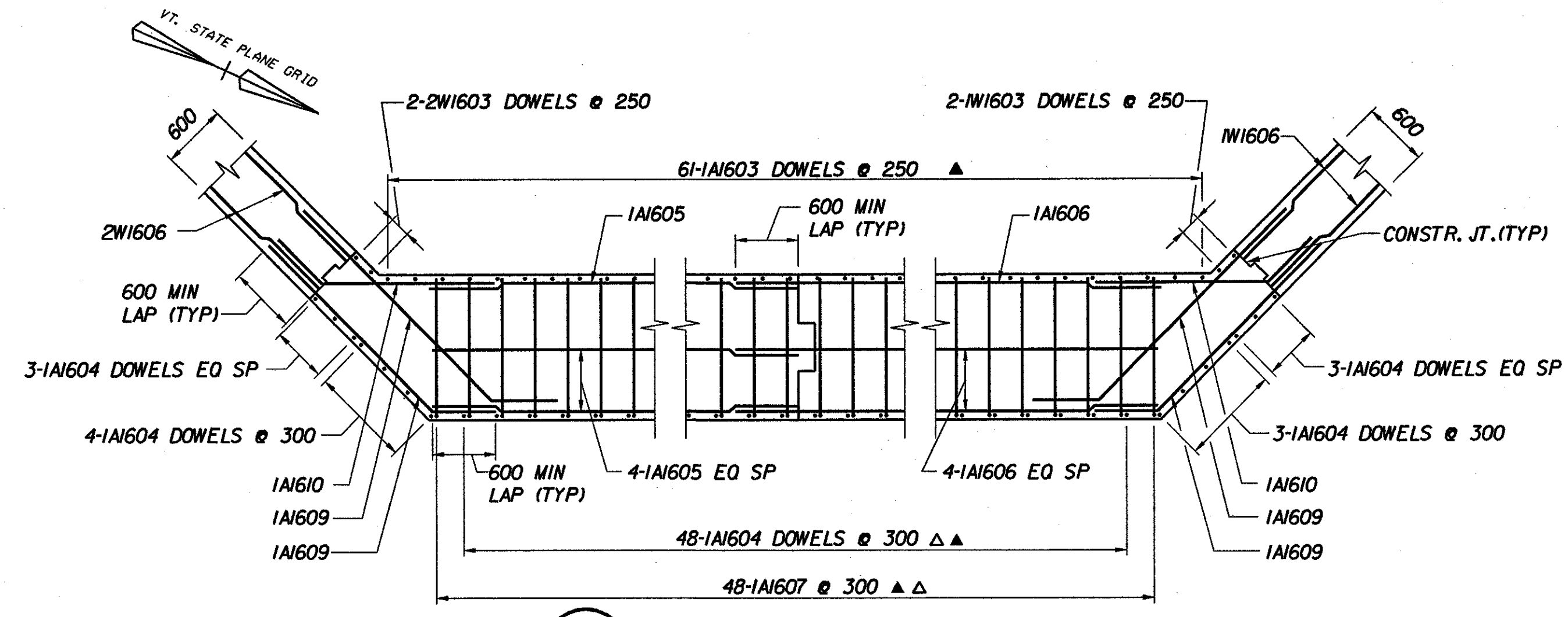
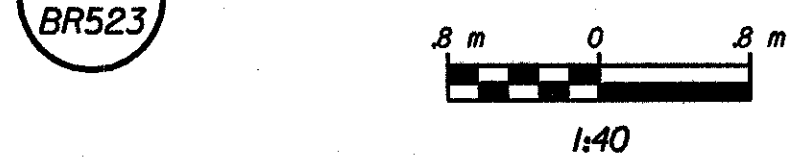
WEEPHOLE SECTION



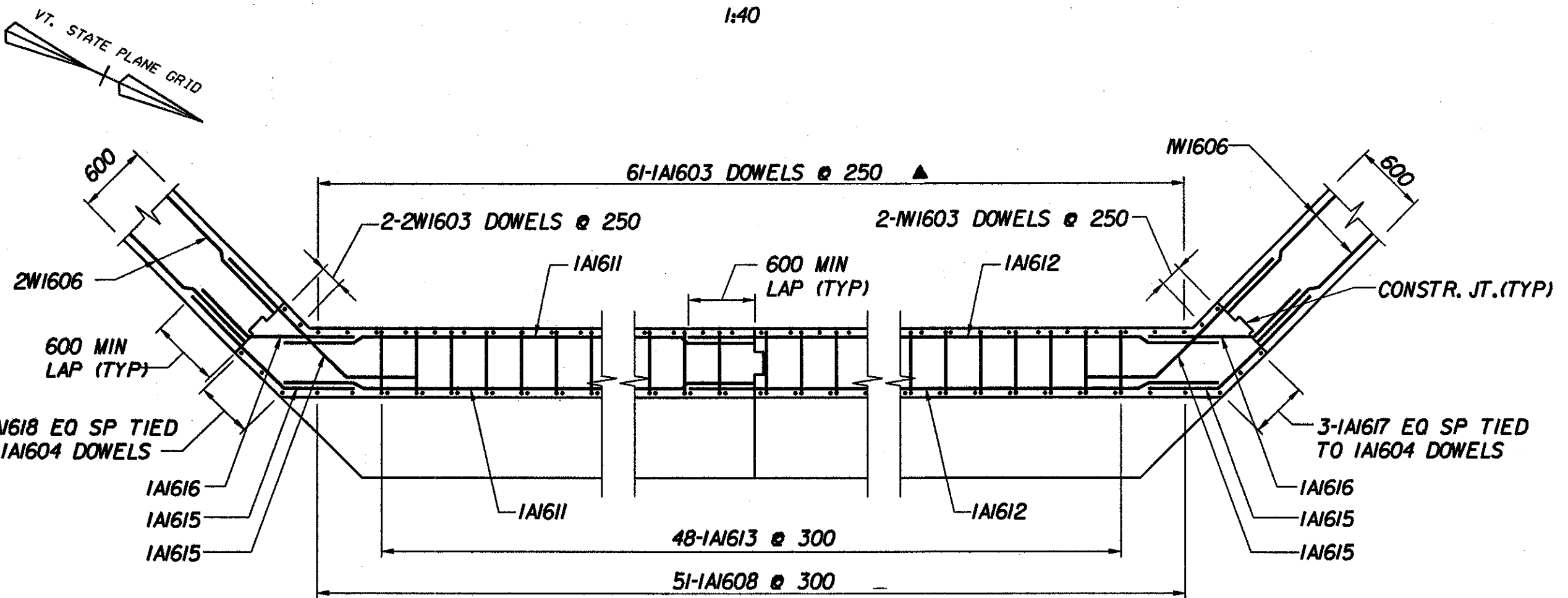
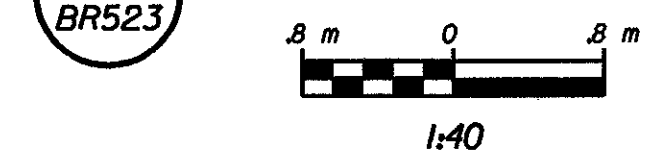
NOTE:
THIS WILL BE PAID FOR UNDER
THE "GRANULAR BACKFILL FOR
STRUCTURES" ITEM 204.30



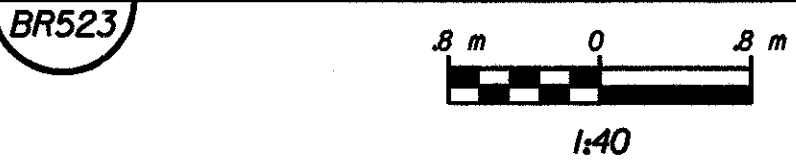
TOP OF BACKWALL REINFORCEMENT PLAN



STEM REINFORCEMENT PLAN



CORNER & BACKWALL REINFORCEMENT PLAN



STATE OF VERMONT AGENCY OF TRANSPORTATION	
Town Of	BENNINGTON
Highway No.	VT. RTE. 9
VT. RTE. 9 OVER AIRPORT BROOK EAST	
ABUTMENT I DETAILS	
Designed By	M. GOGUEN
Checked By	P. PERKINS 11/01
PROJECT	BENNINGTON-HOOSICK
I.G.C. Info.	
Bridge Sheet No.	BR526
Bridge No.	BR500
Log Sta.	
Surv. Sta.	14+900
Drawn by	B. WEATHERBY
Bridge Design Supervisor	M. OLSTAD
Date	11/01
PROJECT NO.	D.P.L. 0146(1)
Sheet 256 OF 473	