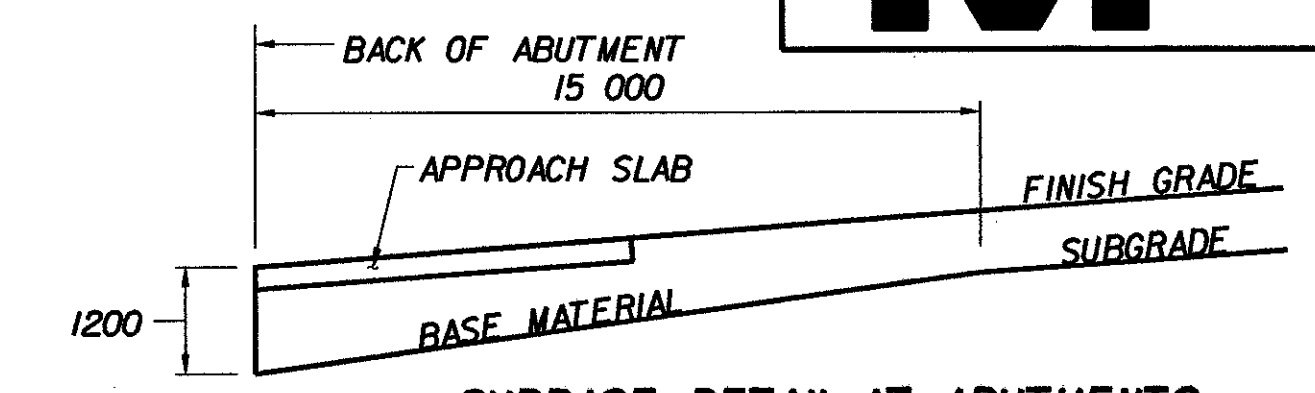
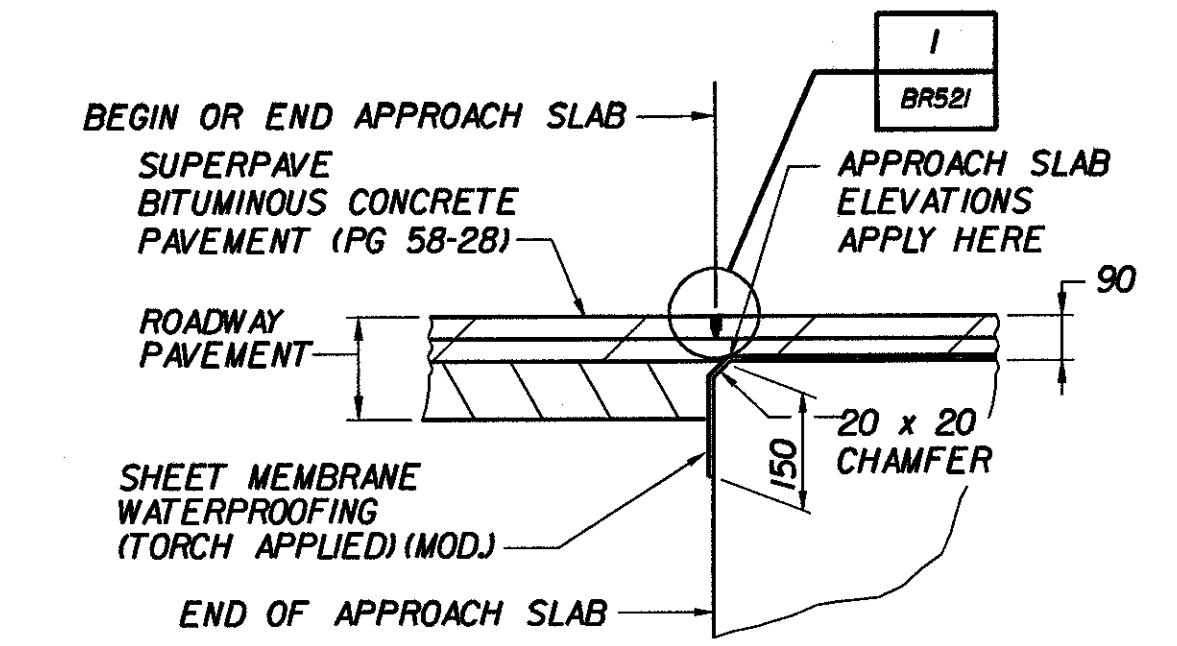


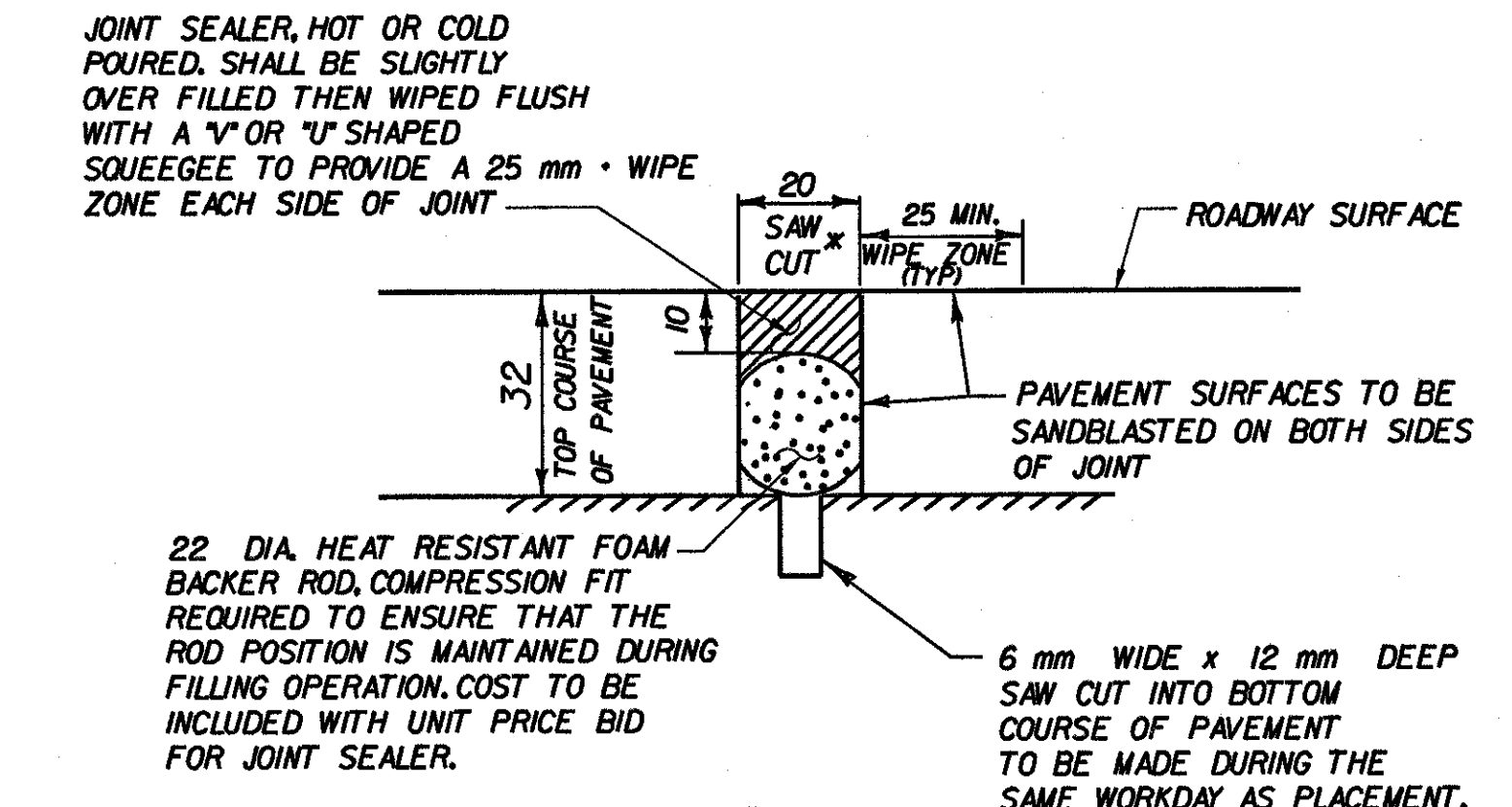
**APPROACH SLAB PLAN**  
1:50  
APPS-01



**SUBBASE DETAIL AT ABUTMENTS**  
(ELEVATION IN CUT AND FILL)  
N.T.S.

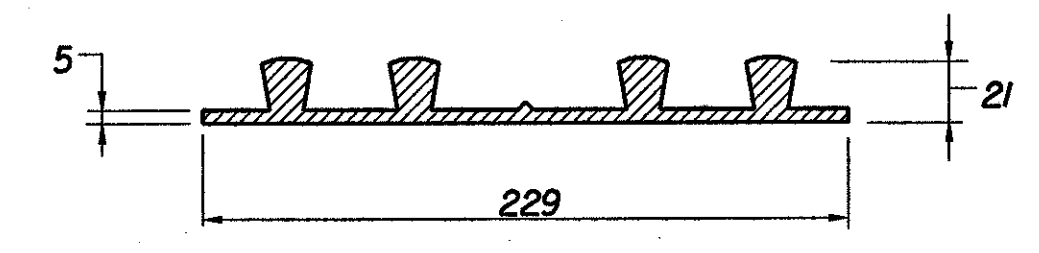


**DETAIL FOR JOINT IN PAVEMENT AND SHEET MEMBRANE AT END OF APPROACH SLAB**  
N.T.S.



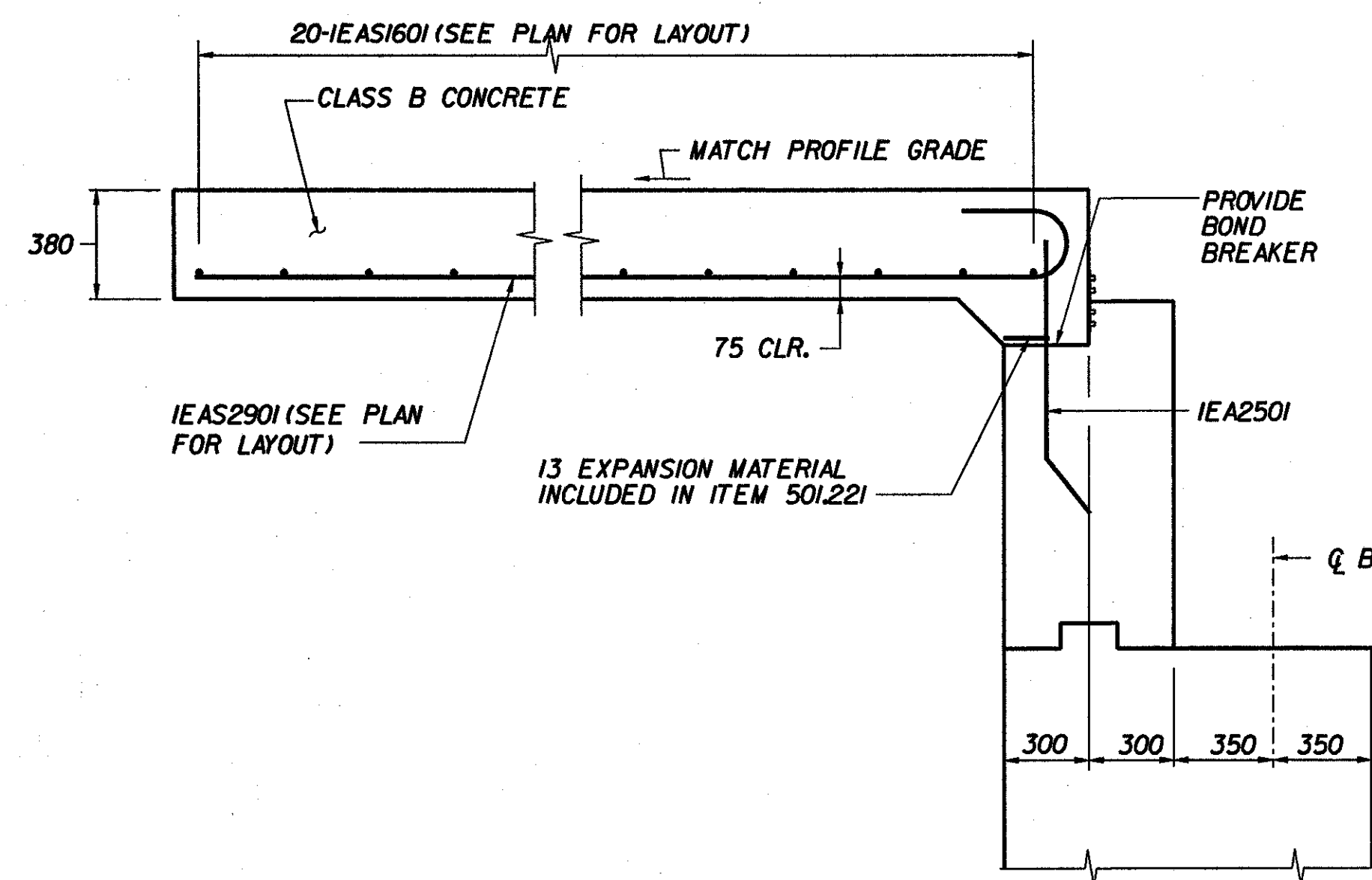
**JOINT DETAIL**  
N.T.S.

\* JOINT IS TO BE LOCATED ACCURATELY BY STRING LINING, OR OTHER MEANS, PRIOR TO PAVING, SO THAT THE SAW CUTS WILL BE MADE DIRECTLY OVER THE END OF CONCRETE DECK. JOINT SHALL BE CUT DRY IN A SINGLE PASS AND BE SEALED WITHIN 24 HOURS OR PRIOR TO EXPOSURE TO TRAFFIC. JOINT SHALL BE CLEANED PRIOR TO APPLYING THE JOINT SEALER. SEE VT. SPECIFICATION 524. COST INCLUDED IN ITEM 490.30.

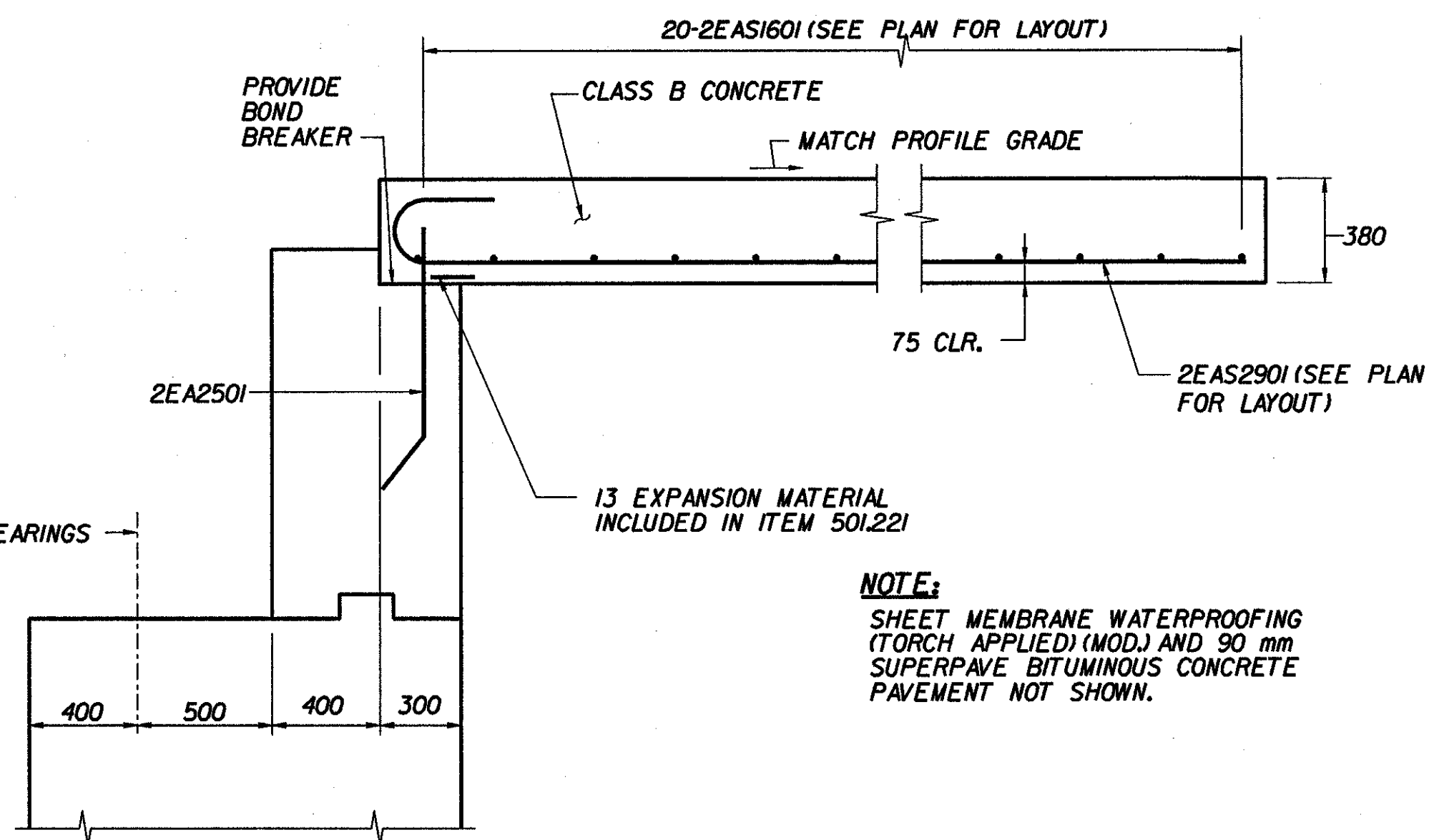


**P.V.C. WATERSTOP FOR CONSTRUCTION JOINTS**  
N.T.S.

THE COST FOR P.V.C. WATERSTOP SHALL BE INCLUDED IN THE UNIT PRICE BID FOR THE APPROPRIATE CONCRETE ITEMS. OTHER CONFIGURATIONS MAY BE USED UPON APPROVAL OF THE STRUCTURES ENGINEER.



**A APPROACH SLAB 1 SECTION**  
1:20  
APPS-01



**B APPROACH SLAB 2 SECTION**  
1:20  
APPS-01

**NOTE:**  
SHEET MEMBRANE WATERPROOFING (TORCH APPLIED) (MOD.) AND 90 mm SUPERPAVE BITUMINOUS CONCRETE PAVEMENT NOT SHOWN.

**STATE OF VERMONT  
AGENCY OF TRANSPORTATION**

Town Of	BENNINGTON	Bridge No.	BR500
Highway No.	VT. RTE. 9	Log Sta.	
		Surv. Sta.	14+900
VT. RTE. 9 OVER AIRPORT BROOK EAST			
APPROACH SLAB DETAILS			
Designed By	M. GOGUEN	Drawn by	B. WEATHERBY
Checked By	P. PERKINS 11/01	Bridge Design Supervisor	M. OLSTAD Date 11/01
PROJECT	BENNINGTON-HOOSICK	PROJECT NO.	D.P.J. 0146(1)
I.G.C. Info.			
Bridge Sheet No.	BR521	Sheet	251 OF 473