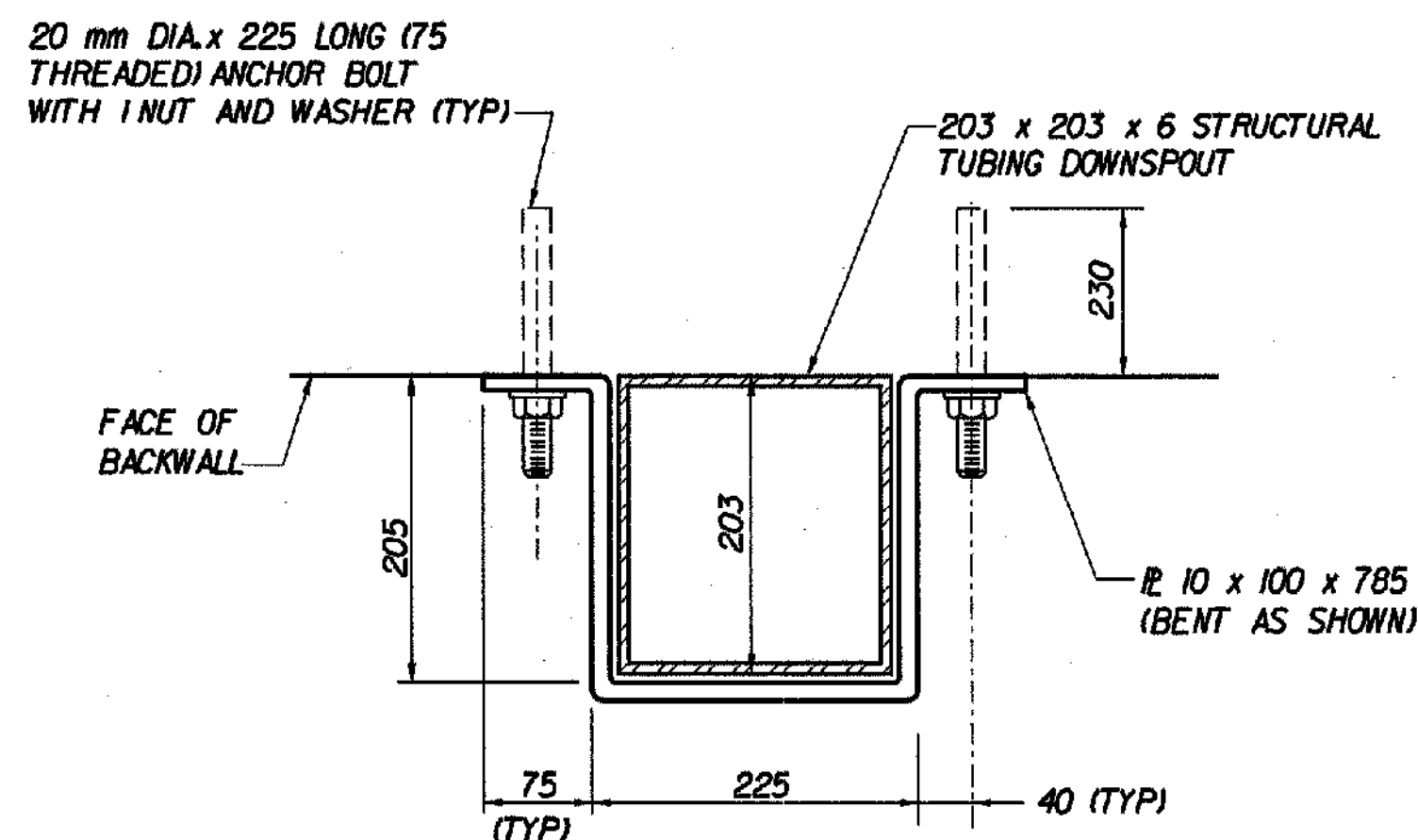
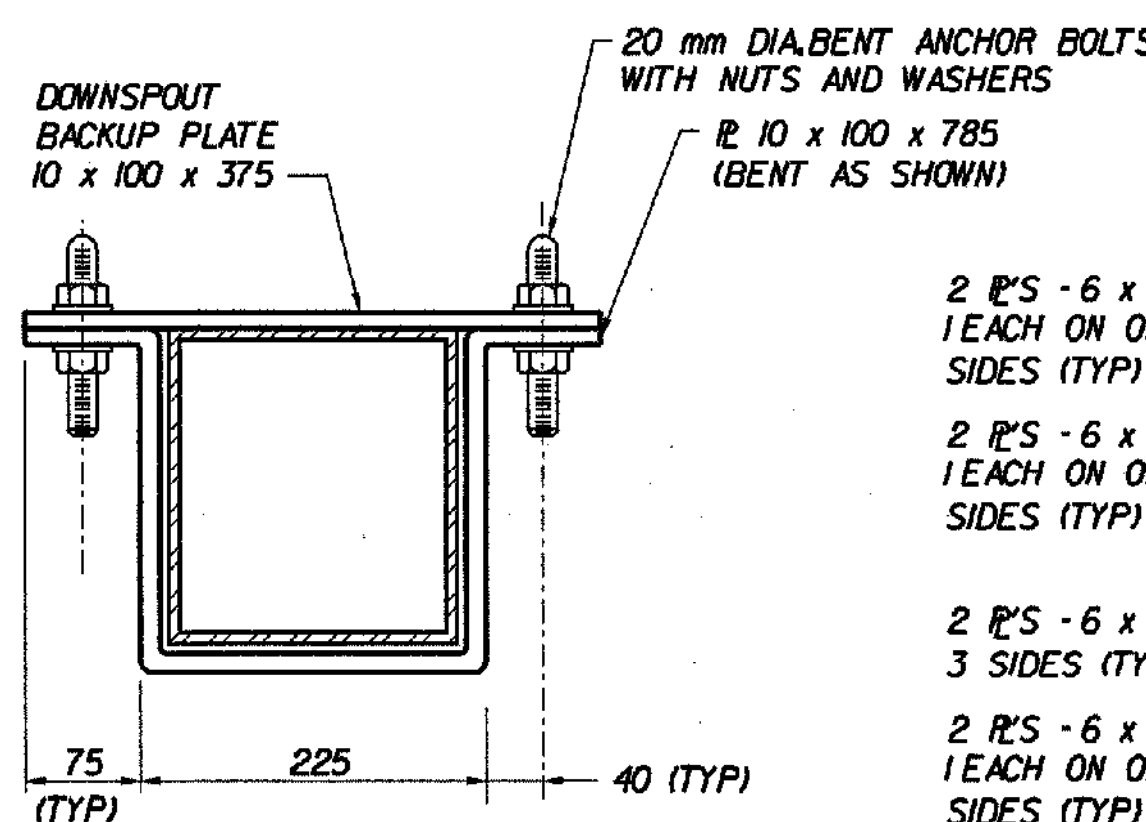


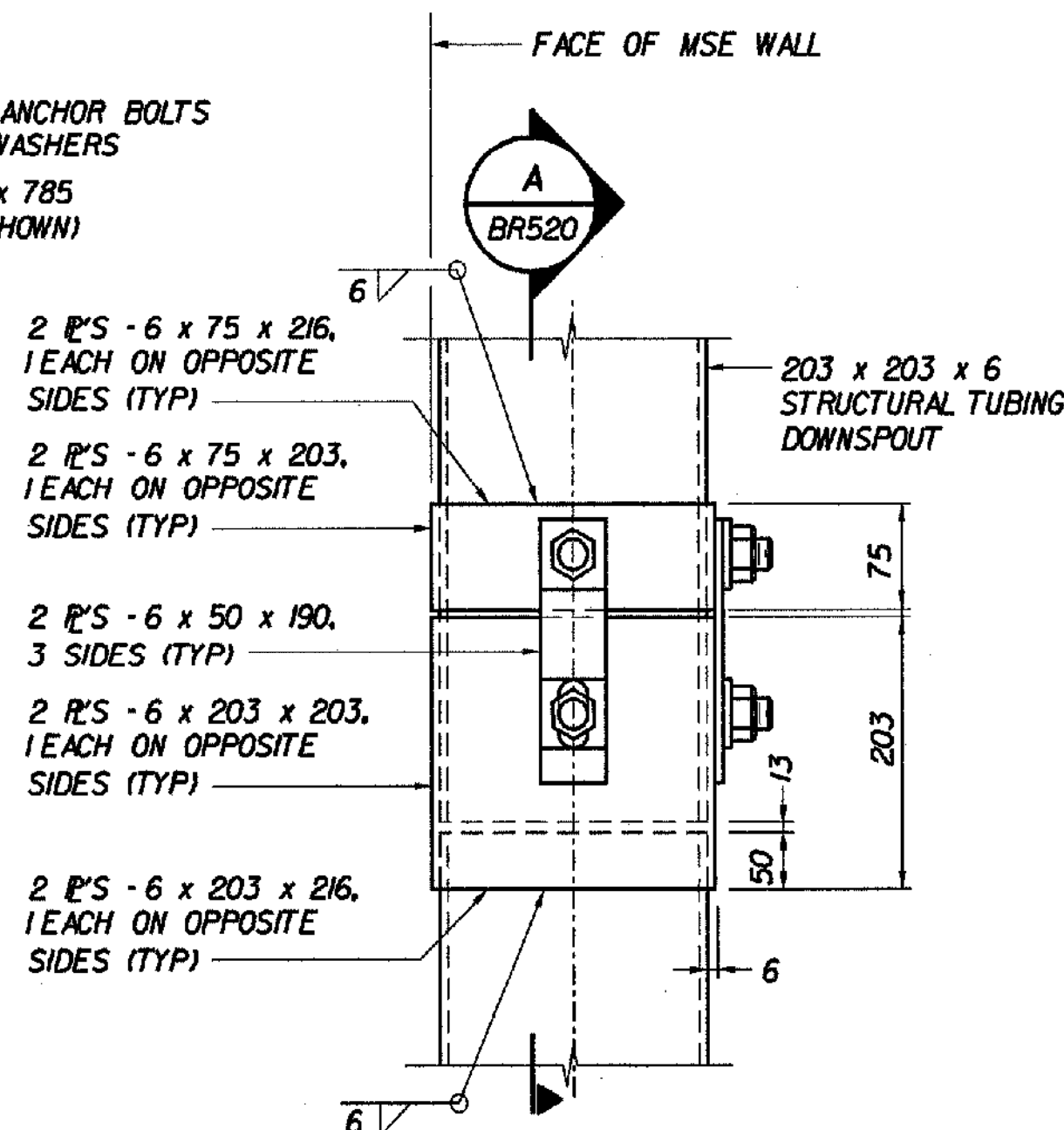
DOWNSPOUT BACKUP PLATE DETAIL



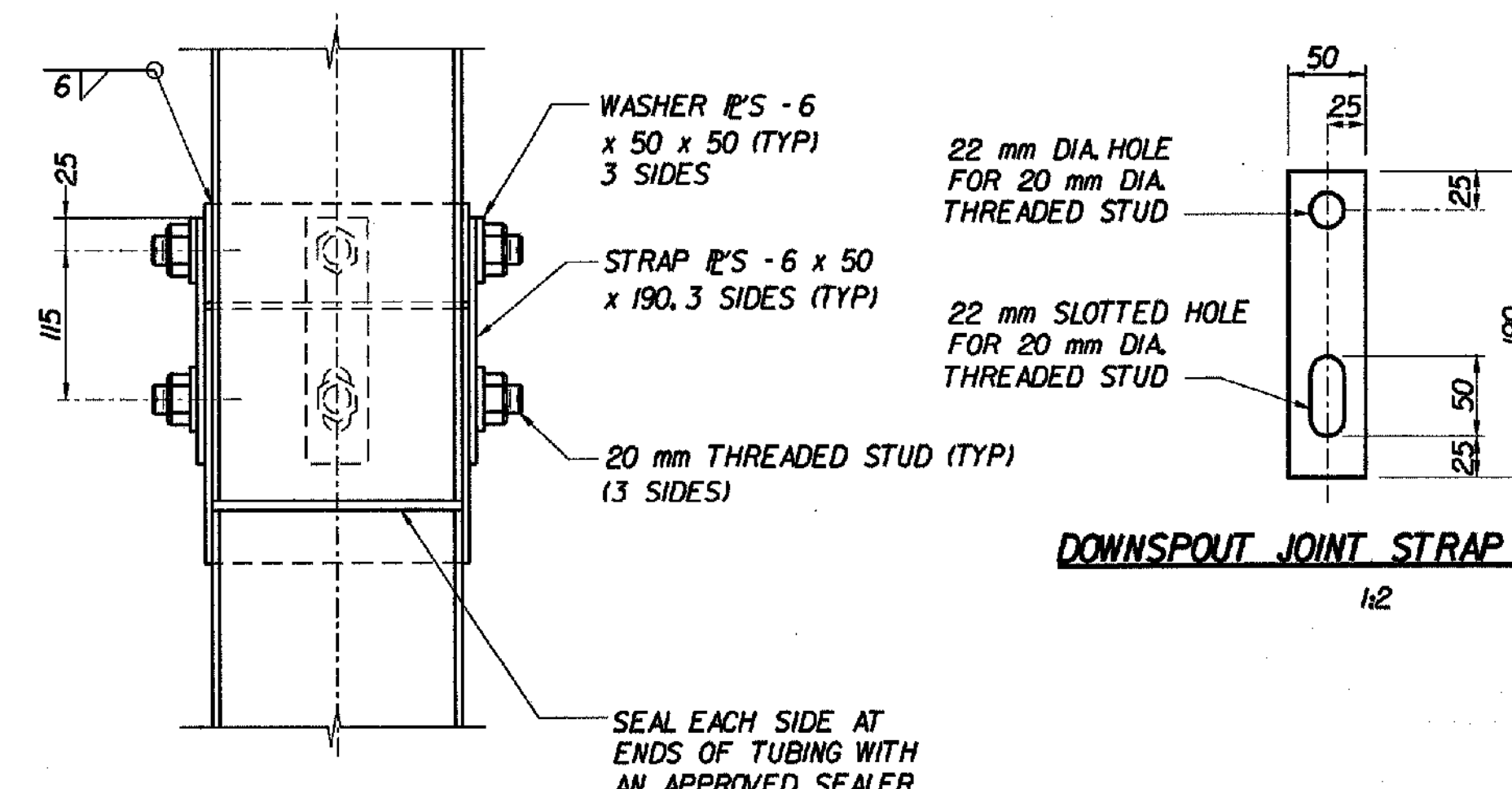
PLAN-DOWNSPOUT CONNECTION DETAIL (AT FACE OF BACKWALL)



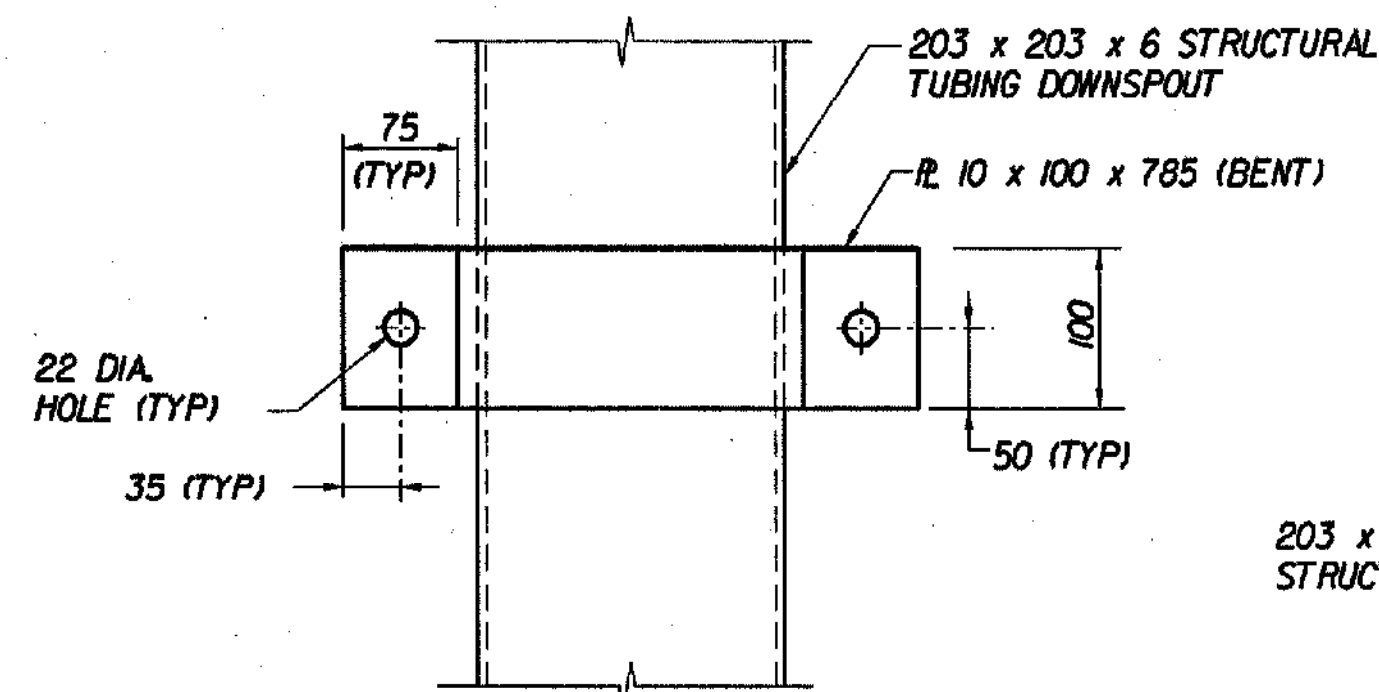
PLAN-DOWNSPOUT CONNECTION DETAIL (AT ABUTMENT SEAT)



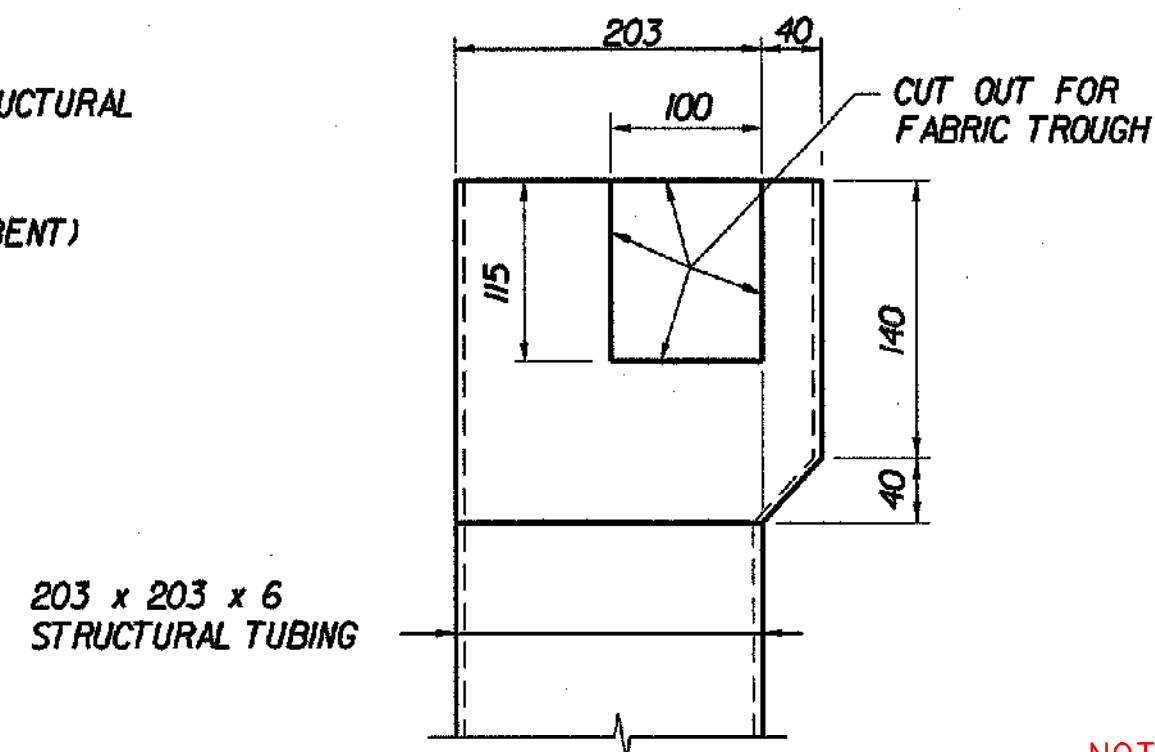
ELEVATION-DOWNSPOUT CONNECTION DETAIL



DOWNSPOUT JOINT STRAP DETAIL



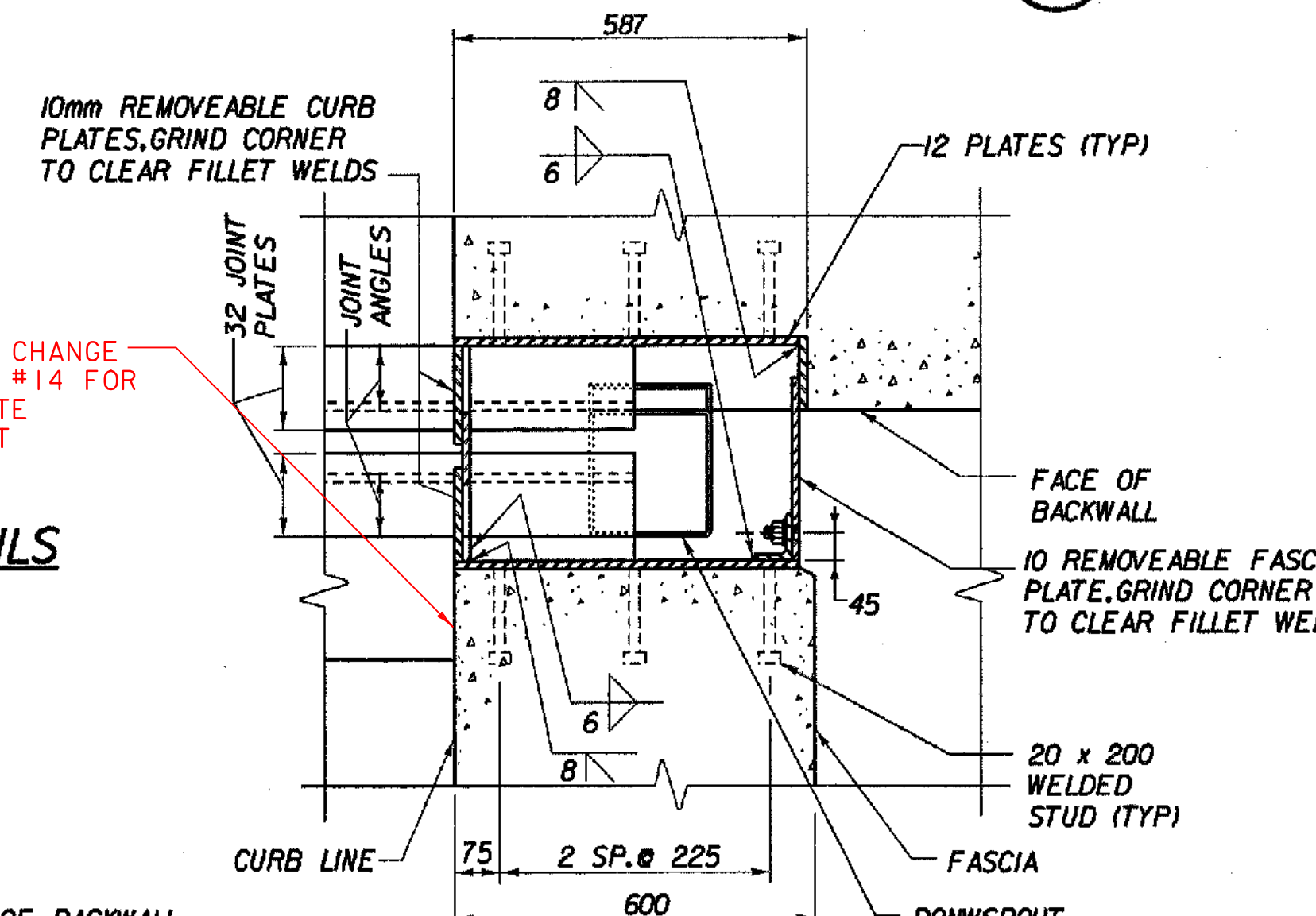
ELEVATION-DOWNSPOUT CONNECTION DETAIL



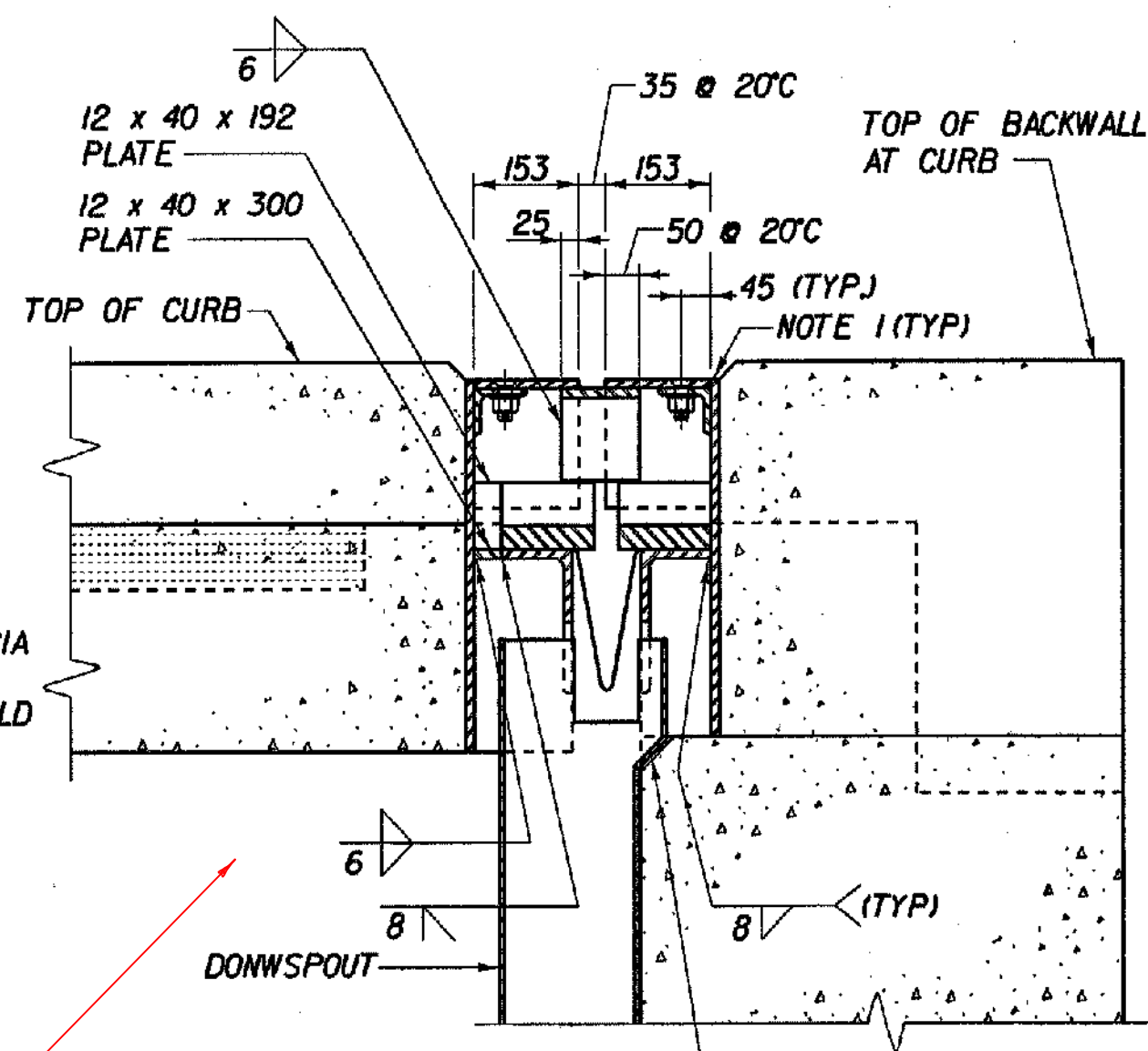
HOPPER ELEVATION

NOTE: REFERENCE CHANGE OF DESIGN #14 FOR JOINT PLATE ADJUSTMENT

DOWNSPOUT DETAILS

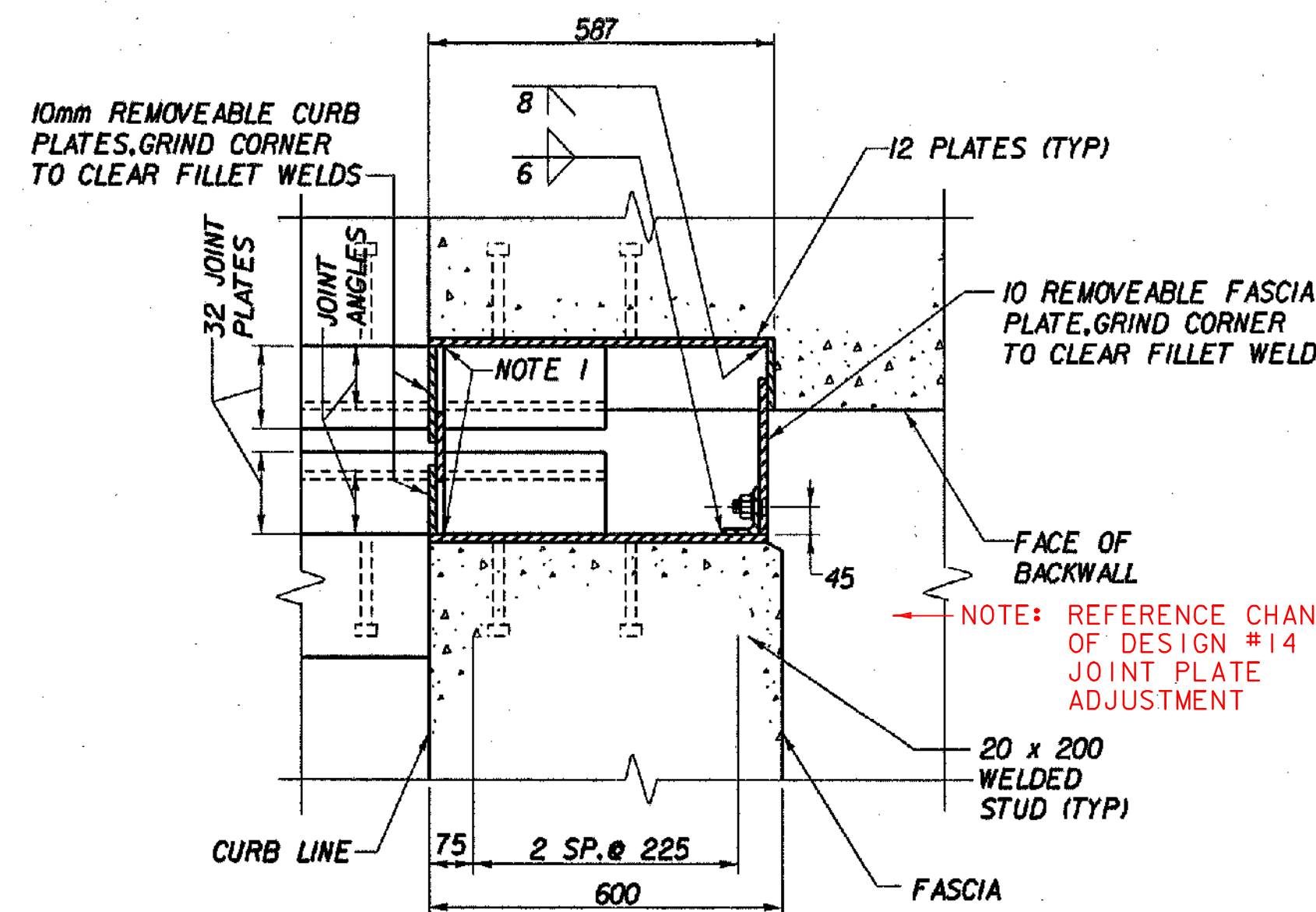


F PARTIAL JOINT PLAN (WITH DOWNSPOUT)
BR517
2 m 0 2 m
1/25

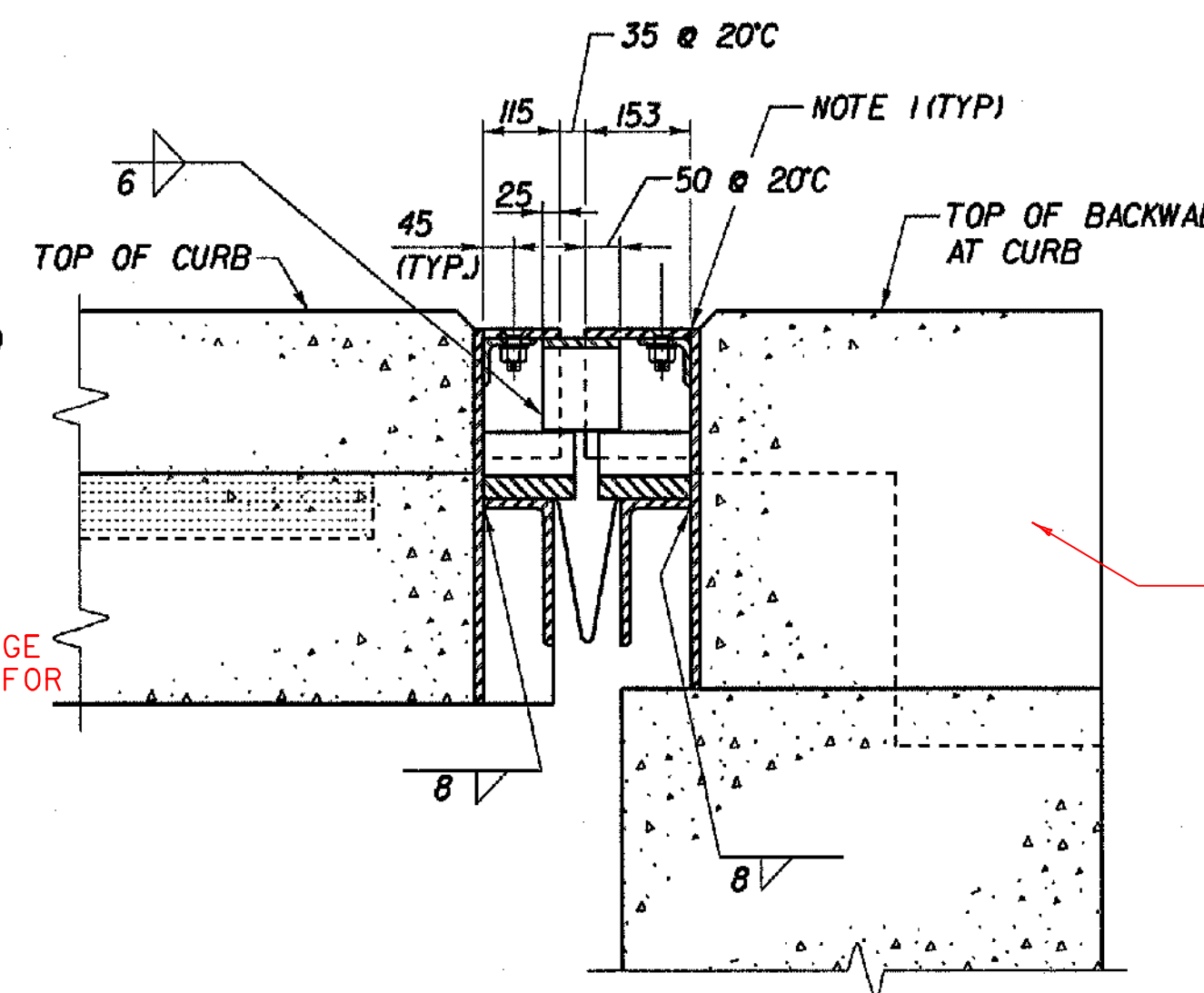


G JOINT SECTION AT CURB (WITH DOWNSPOUT)
BR517
2 m 0 2 m
1/25

NOTE: REFERENCE CHANGE OF DESIGN #14 FOR JOINT PLATE ADJUSTMENT



D PARTIAL JOINT PLAN
BR517
2 m 0 2 m
1/25



E JOINT SECTION AT CURB
BR517
2 m 0 2 m
1/25

NOTE: REFERENCE CHANGE OF DESIGN #14 FOR JOINT PLATE ADJUSTMENT

NOTE:

- SEAL JOINTS BETWEEN PLATES WITH SILICONE SEALANT. COST INCLUDED IN ITEM 516JO, BRIDGE EXPANSION JOINT.

*CHANGE OF DESIGN #14, JT. R. ADJUSTMENT JFW 2/3/06

STATE OF VERMONT AGENCY OF TRANSPORTATION

Town Of	BENNINGTON	Bridge No.	BR500
Highway No.	VT. RTE. 9	Log Sta.	
		Surv. Sta.	14+900
VT. RTE. 9 OVER AIRPORT BROOK EAST			
BRIDGE JOINT DETAILS-4			
Designed By	P. PERKINS	Drawn by	B. WEATHERBY
Checked By	Date	Bridge Design Supervisor	Date
	M. OLSTAD 11/01	M. OLSTAD	11/01
PROJECT	BENNINGTON-HOOSICK	PROJECT NO.	D.P.I. 0146(I)
L.G.C. Info.			
Bridge Sheet No.	BR520	Sheet	250 OF 473