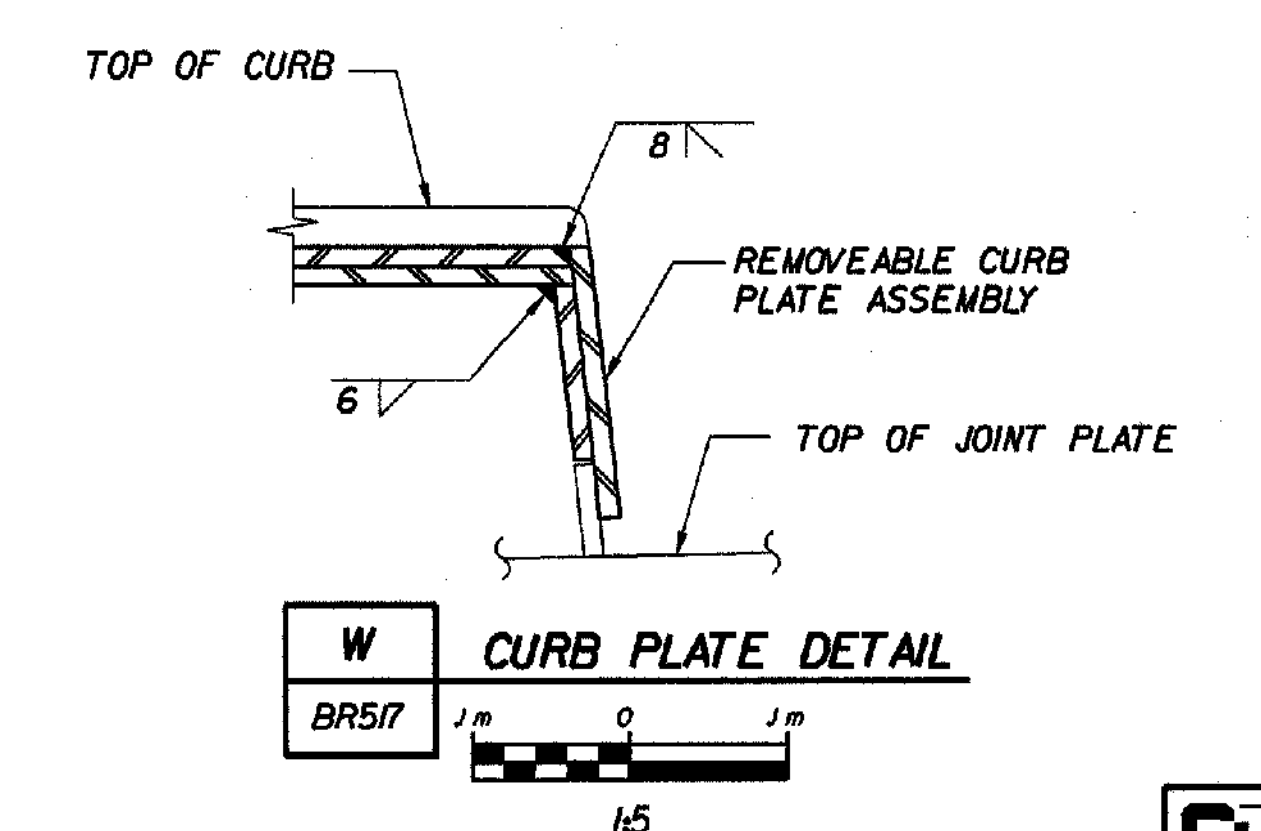
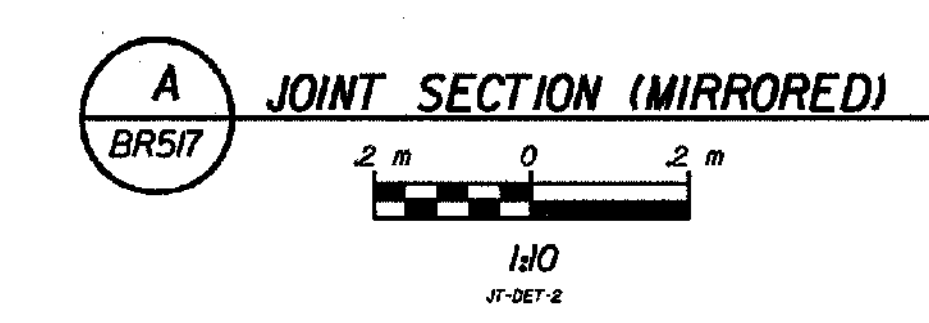
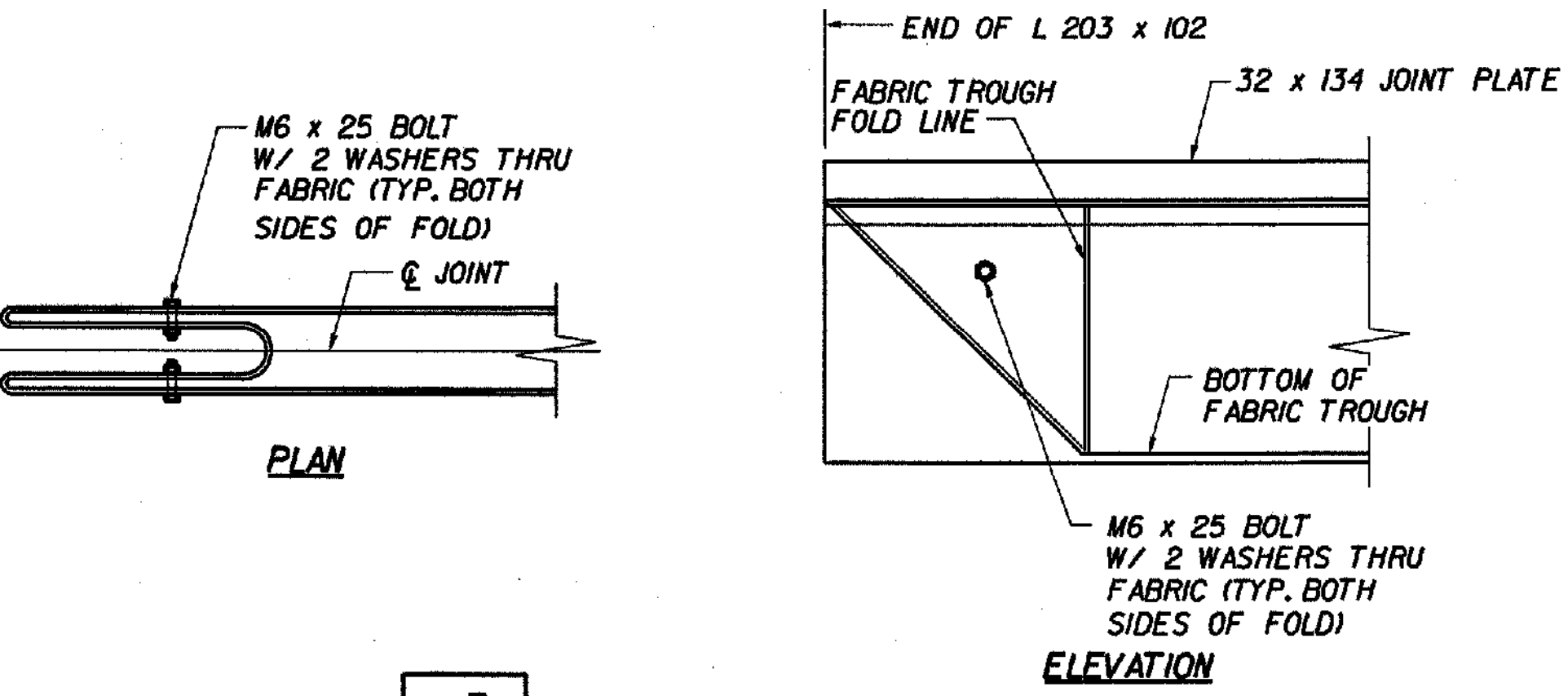
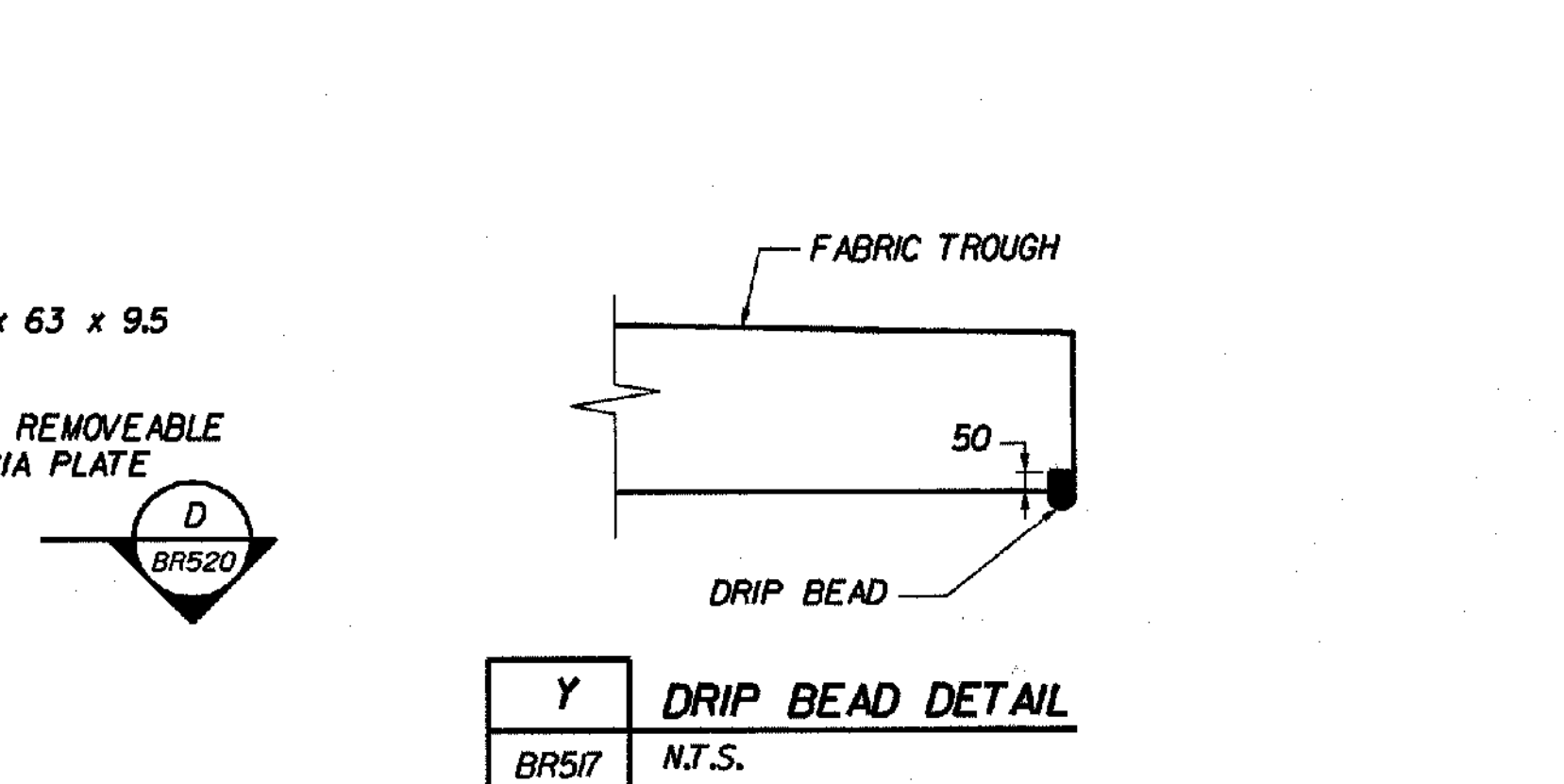
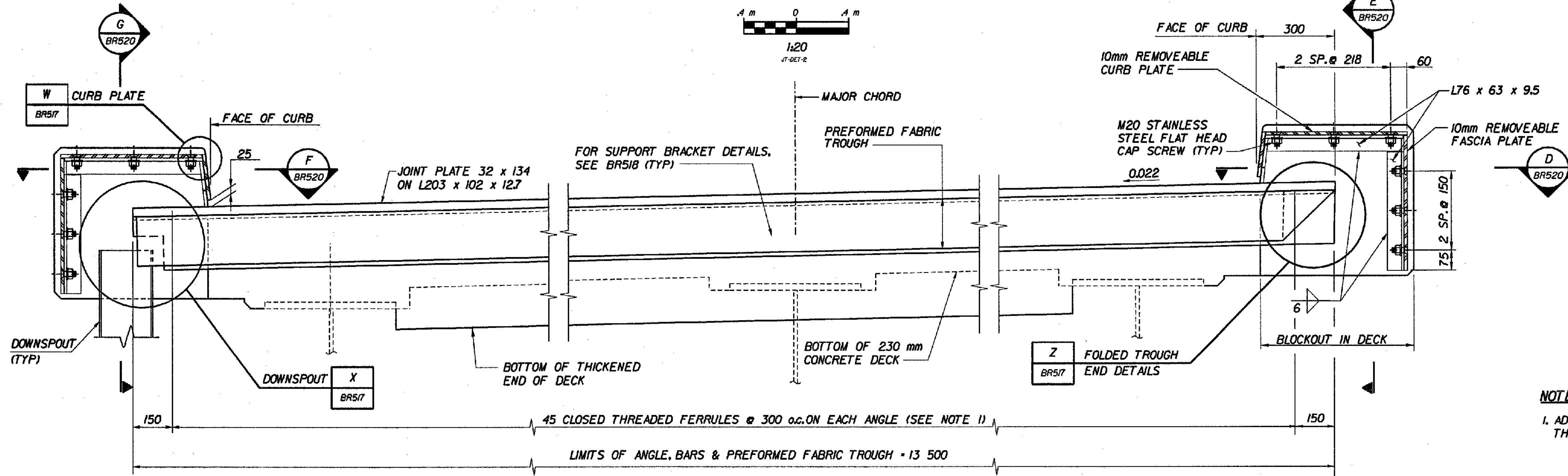


**PART PLAN - BRIDGE EXPANSION JOINT AT ABUTMENT 2**



**NOTE:**  
1. ADJUST SPACING OF 22 mm DIA. HOLES, WELDED STUDS, AND CLOSED THREADED FERRULES FOR CLEARANCE IN AREAS OF BRACKETS.

\*CHANGE OF DESIGN #14 FOR JOINT R. ADJUSTMENT JFW 2/3/06

**STATE OF VERMONT  
AGENCY OF TRANSPORTATION**

Town Of	BENNINGTON	Bridge No.	BR500
Highway No.	VT. RTE. 9	Log Sta.	
		Surv. Sta.	14+900
VT. RTE. 9 OVER AIRPORT BROOK EAST			
BRIDGE JOINT DETAILS-1			
Designed By	M. GOGUEN	Drawn by	B. WEATHERBY
Checked By	Date	Bridge Design Supervisor	
	P. PERKINS 11/01	M. OLSTAD	Date 11/01
PROJECT	BENNINGTON-HOOSICK	PROJECT NO.	D.P.J. 0146(1)
I.G.C. Info.			
Bridge Sheet No.	BR517	Sheet	247 OF 473