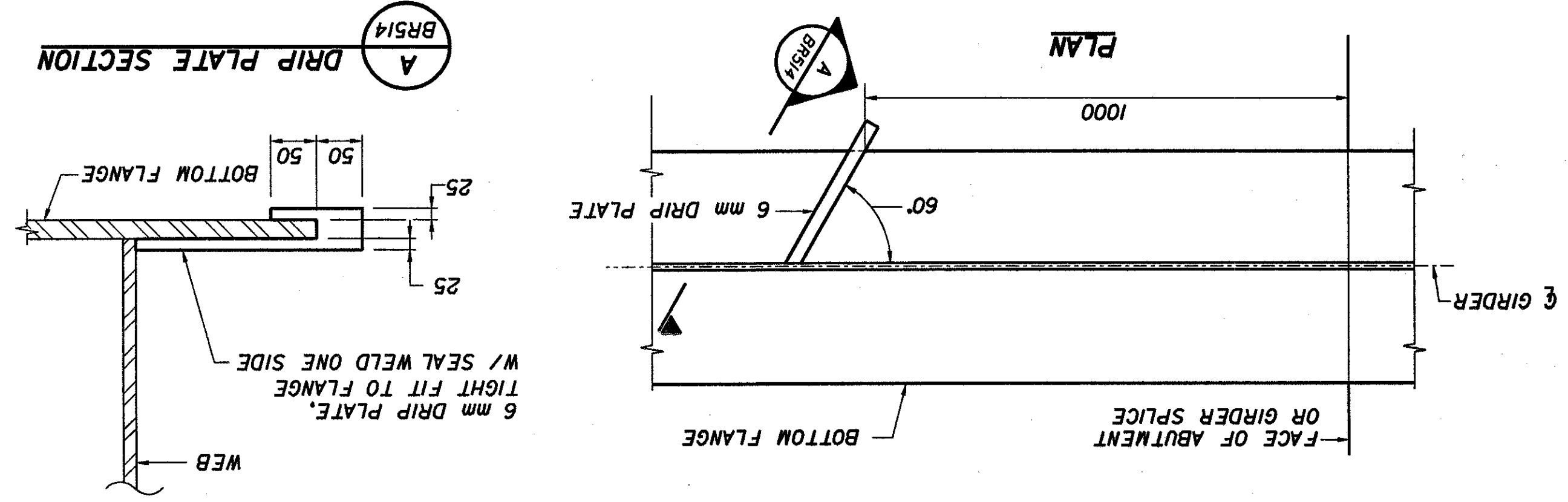


STATE OF VERMONT AGENCY OF TRANSPORTATION	
Bridge No. BR500	Log Sta. 14+900
Highway No. VT. RTE. 9	Surv. Sta. 14+900
Town of BENNINGTON	
GIRDER DETAILS	
Designed By M. GOUGH	Drawn by B. WEATHERBY
Checked By P. PERKINS II/10	Date M. OLSTAD
PROJECT BENNINGTON-HOOSICK	D.P.L. (10611)
L.C.C. Info.	
Bridge Sheet No. BR514	
Sheet 244 OF 473	

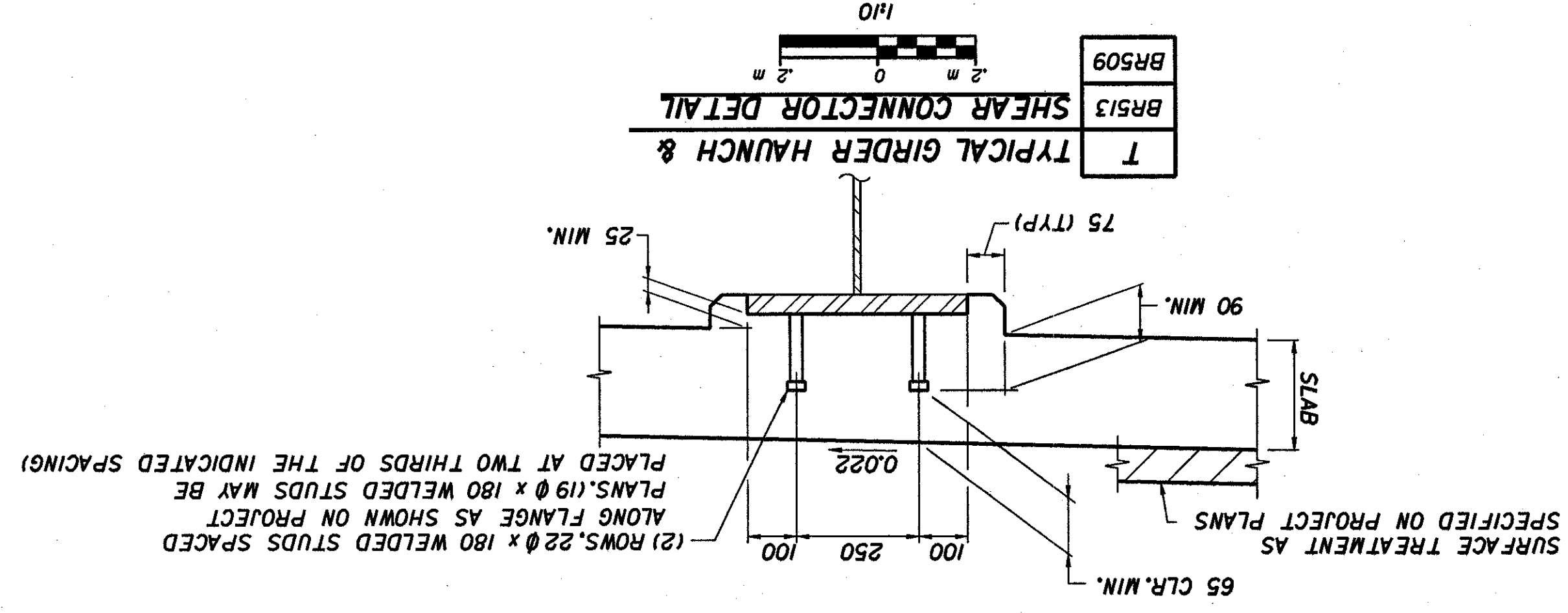
**CHA & ASSOCIATES LTD**  
 ENGINEERS, SURVEYORS, PLANNERS  
 & LANDSCAPE ARCHITECTS  
 11 BROADWAY SUITE 200  
 ALBANY, NEW YORK 12208

- NOTE:**
1. ALL CONNECTIONS SHALL BE MADE USING M22 DIAMETER A5370 M16M BOLTS. ALL HOLES IN THE CONNECTION PLATES SHALL BE 24 MM DIAMETER.
  2. THE LENGTH OF WELD ON EACH SIDE OF THE ANGLE SHALL BE PROPORTIONED TO MINIMIZE THE ECCENTRICITIES IN THE CONNECTION.

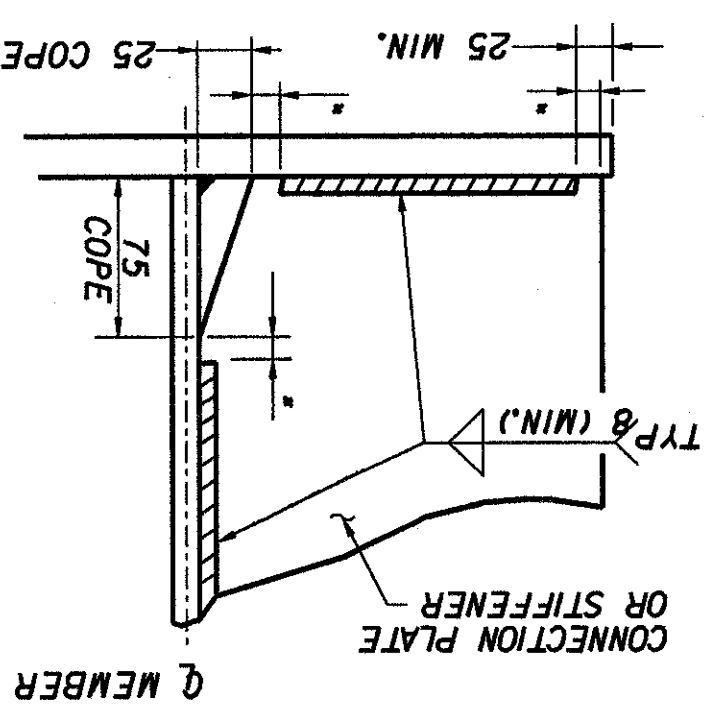
**S**  
 BR511  
 BR513  
**DRIP PLATE DETAILS**



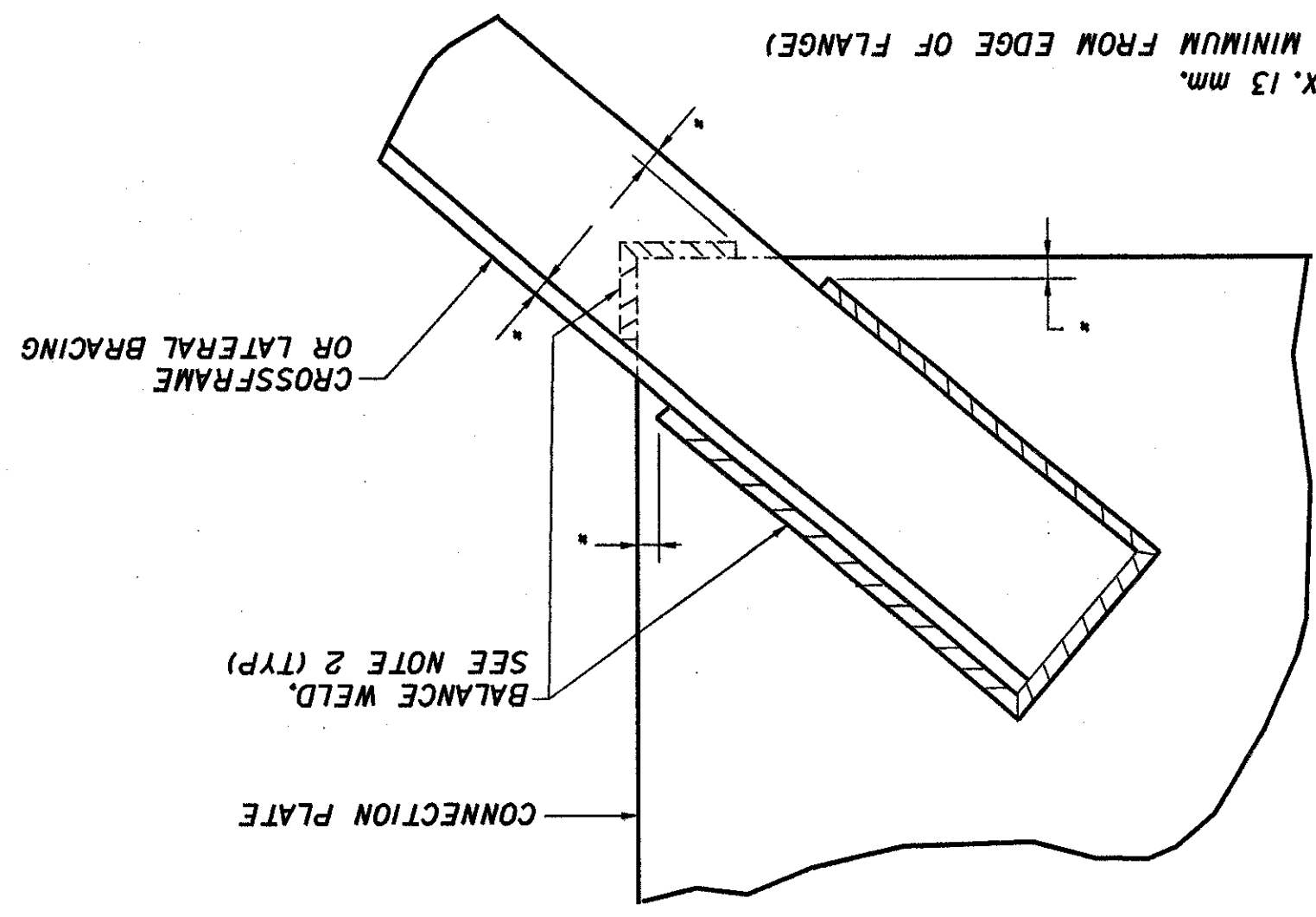
**T**  
 BR513  
 BR509  
**TYPICAL GIRDER HAUNCH & SHEAR CONNECTOR DETAIL**



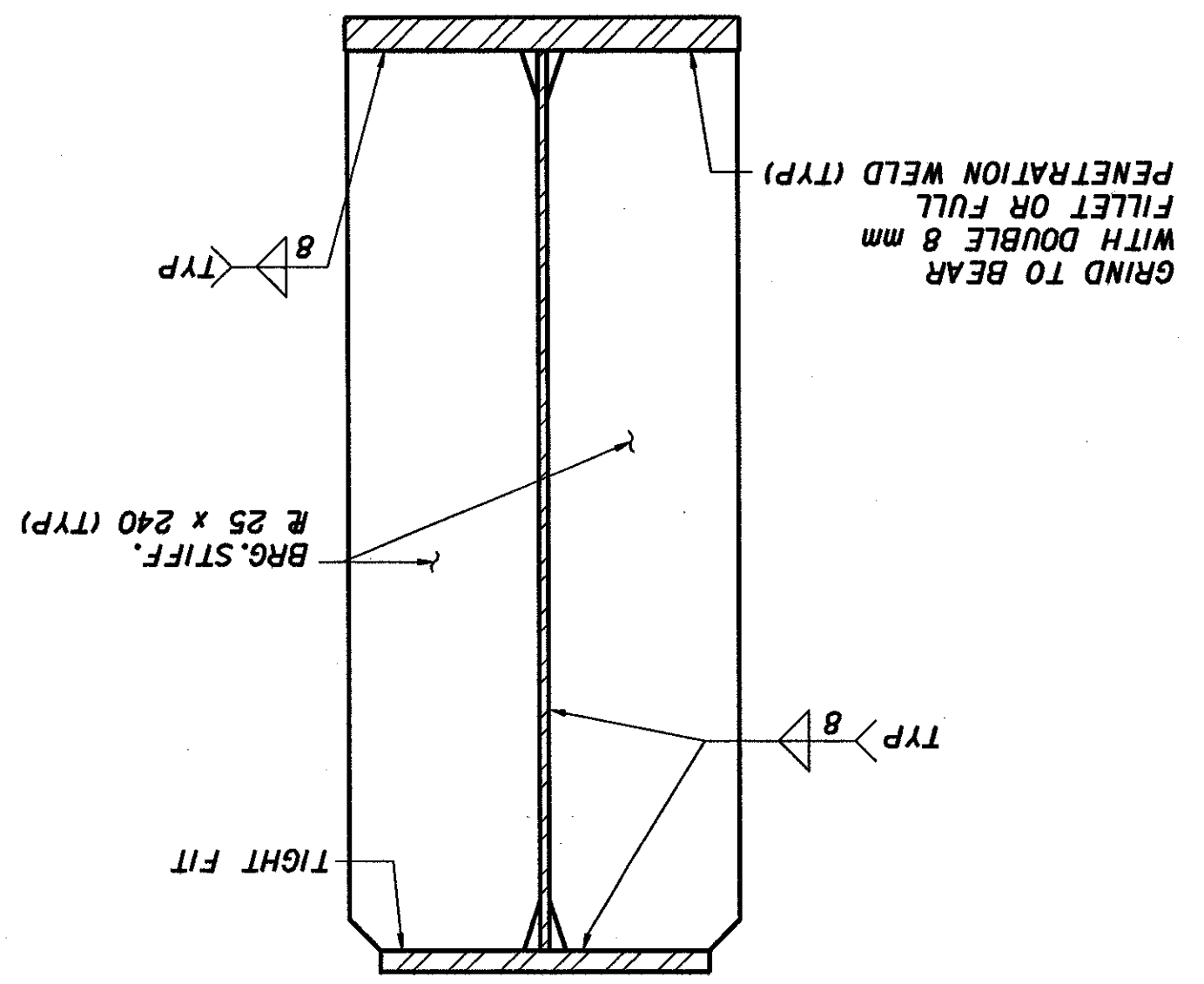
**DETAILS FOR STEEL MEMBERS WELD TERMINATION AND COPING**  
 N.T.S.



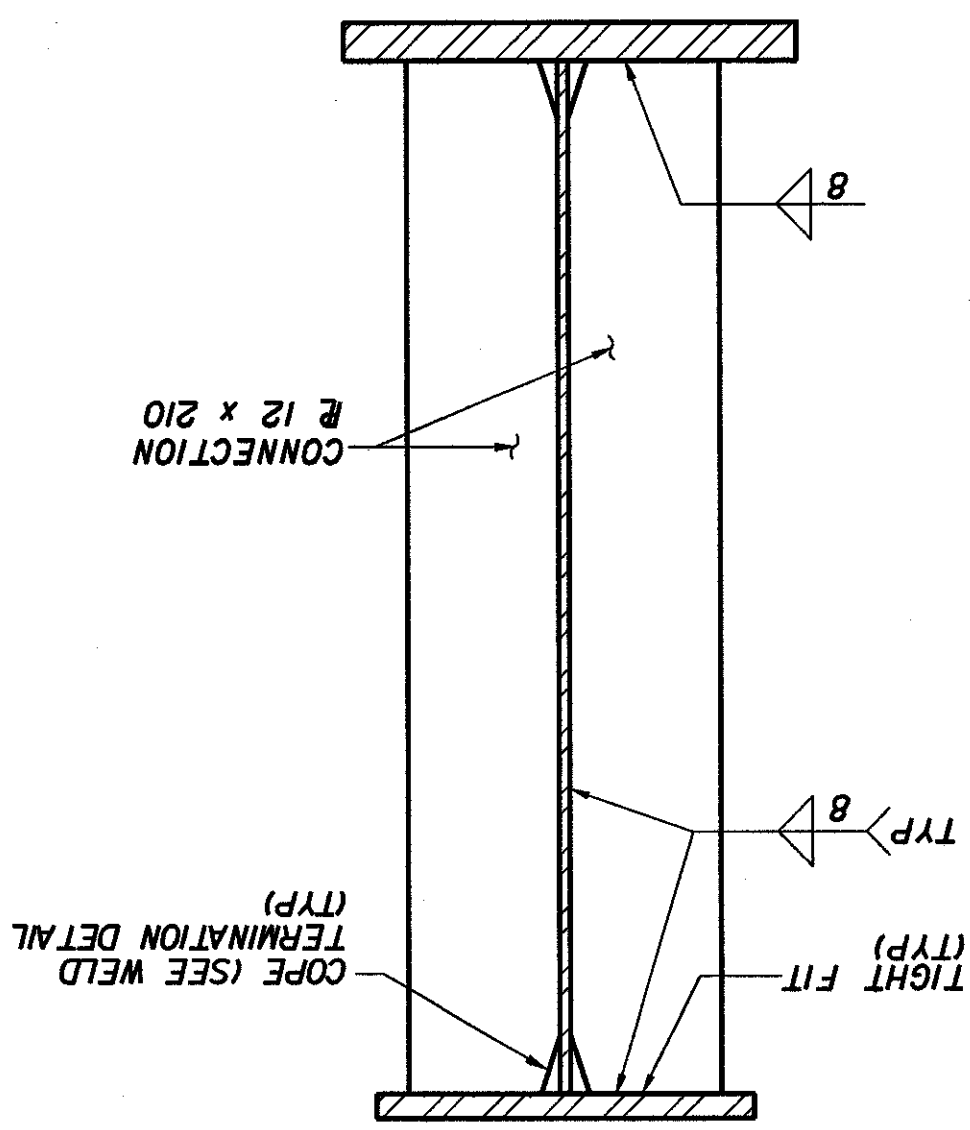
**WELD LOCATION DETAIL AT CROSS FRAMES AND LATERAL BRACING**  
 N.T.S.



**ABUTMENT BEARING STIFFENERS FOR WELDED PLATE GIRDERS**  
 N.T.S.



**CONNECTION PLATE-INTERIOR**  
 N.T.S.



**CONNECTION PLATE-FASCIA**  
 N.T.S.

