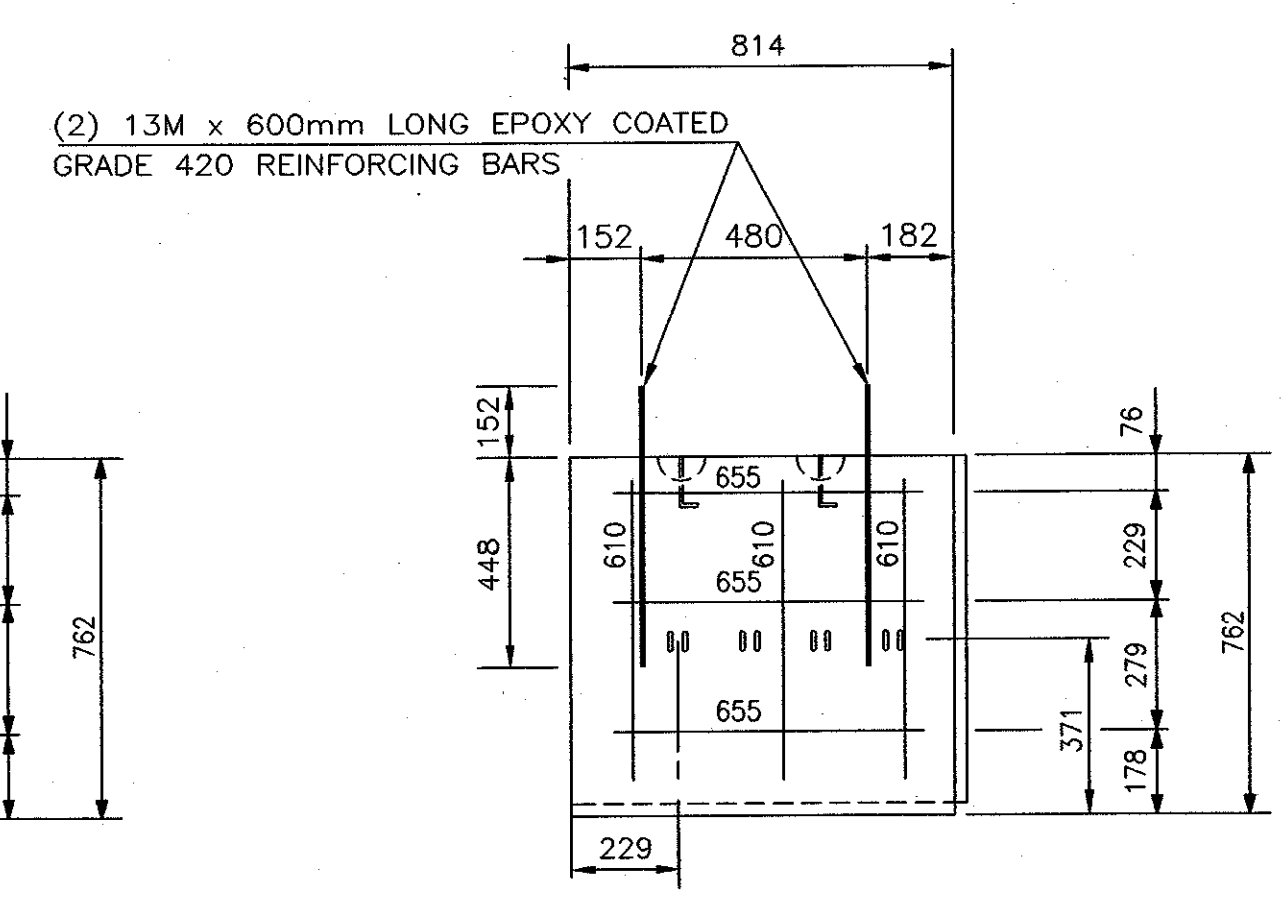
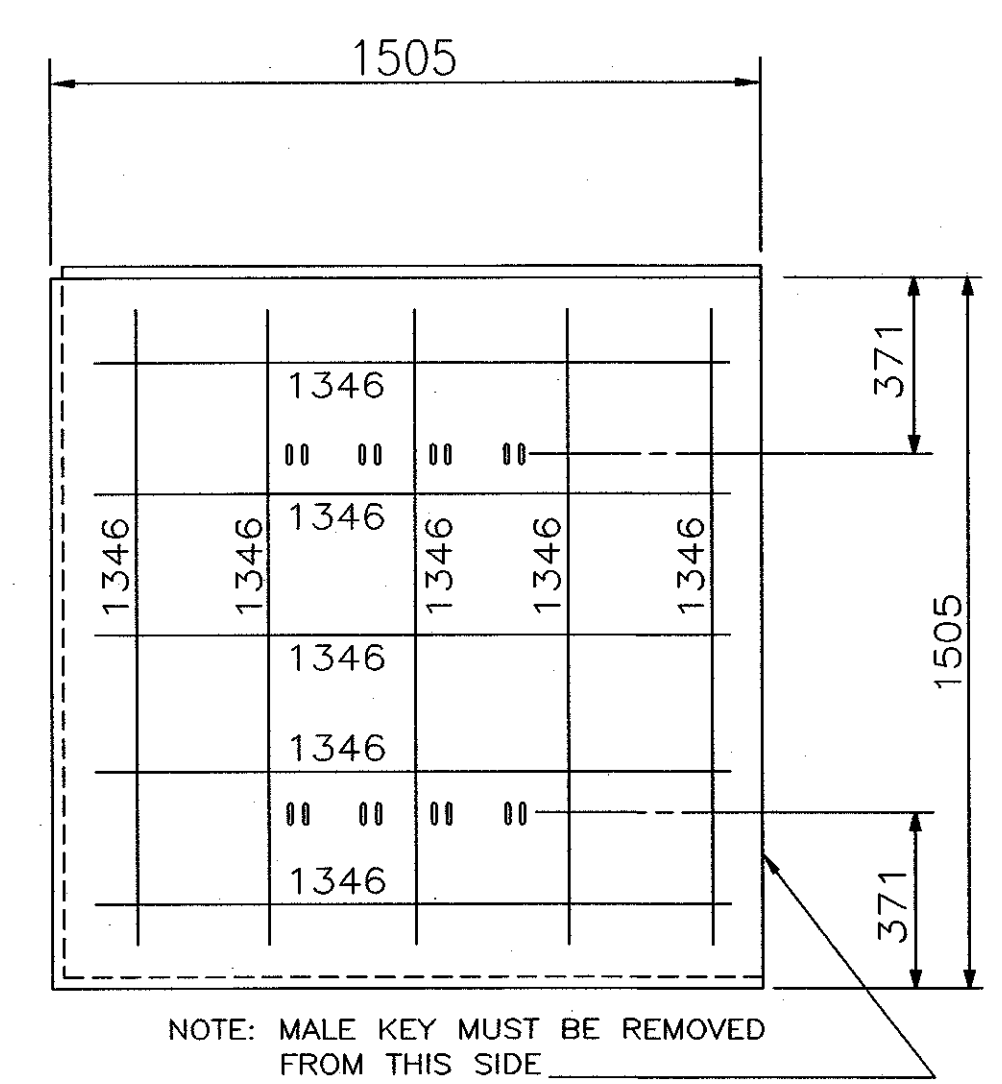


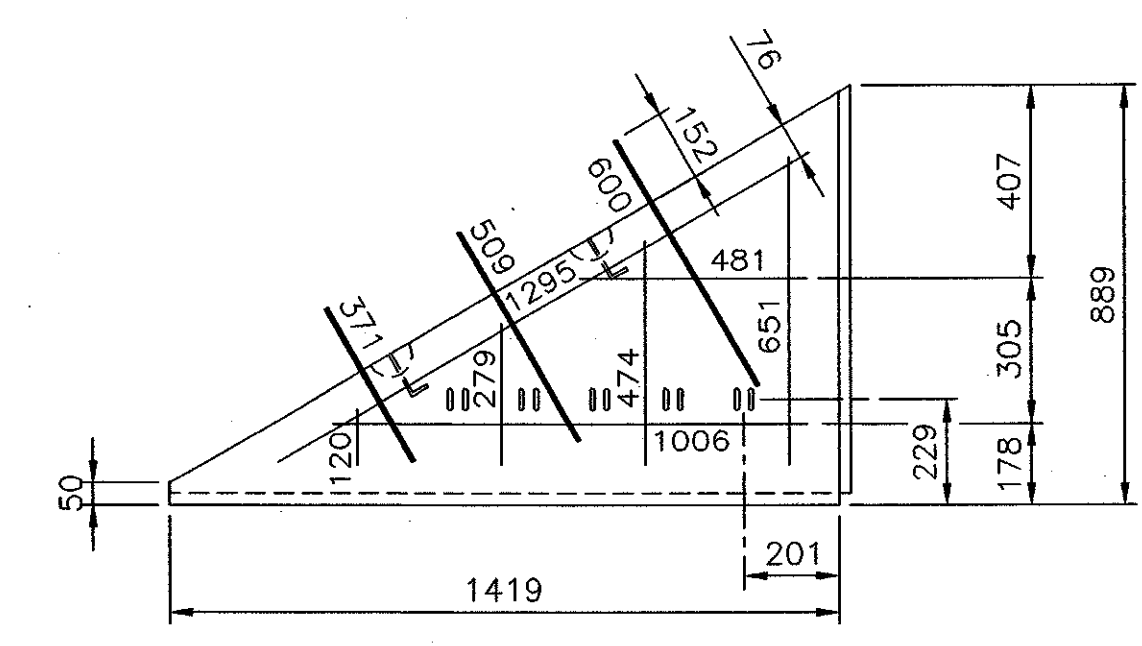
**TYPE "4YH30L0.814T" REBAR**  
(BACK FACE)  
N.T.S.



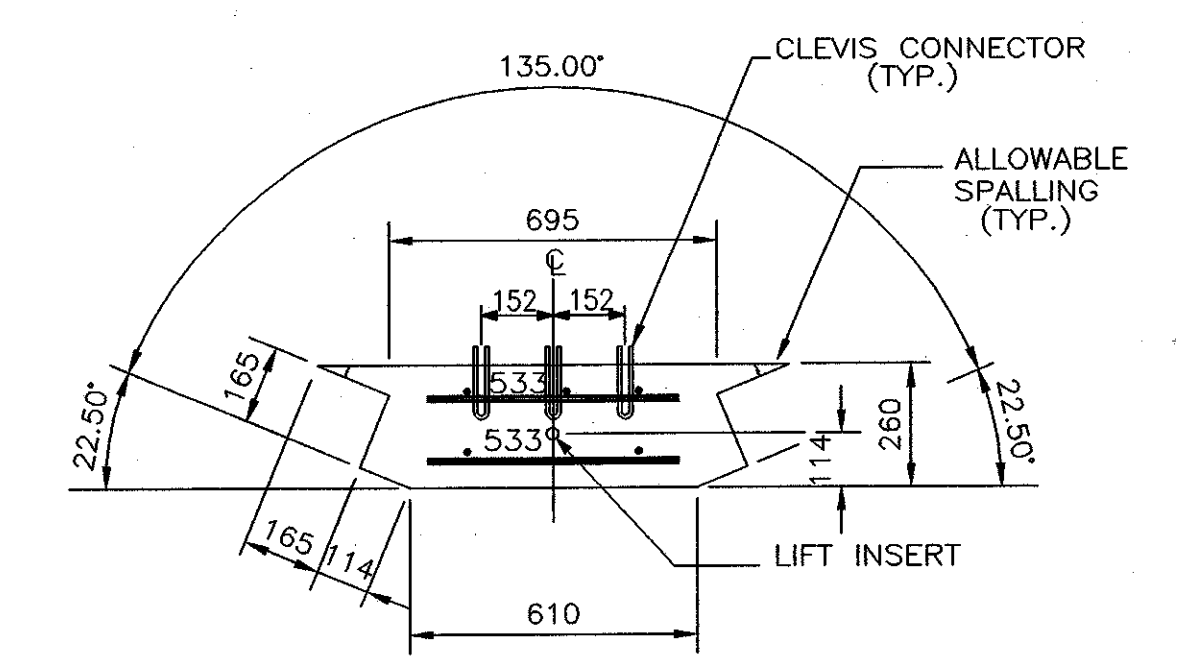
**TYPE "4YH30R0.814T" REBAR**  
(BACK FACE)  
N.T.S.



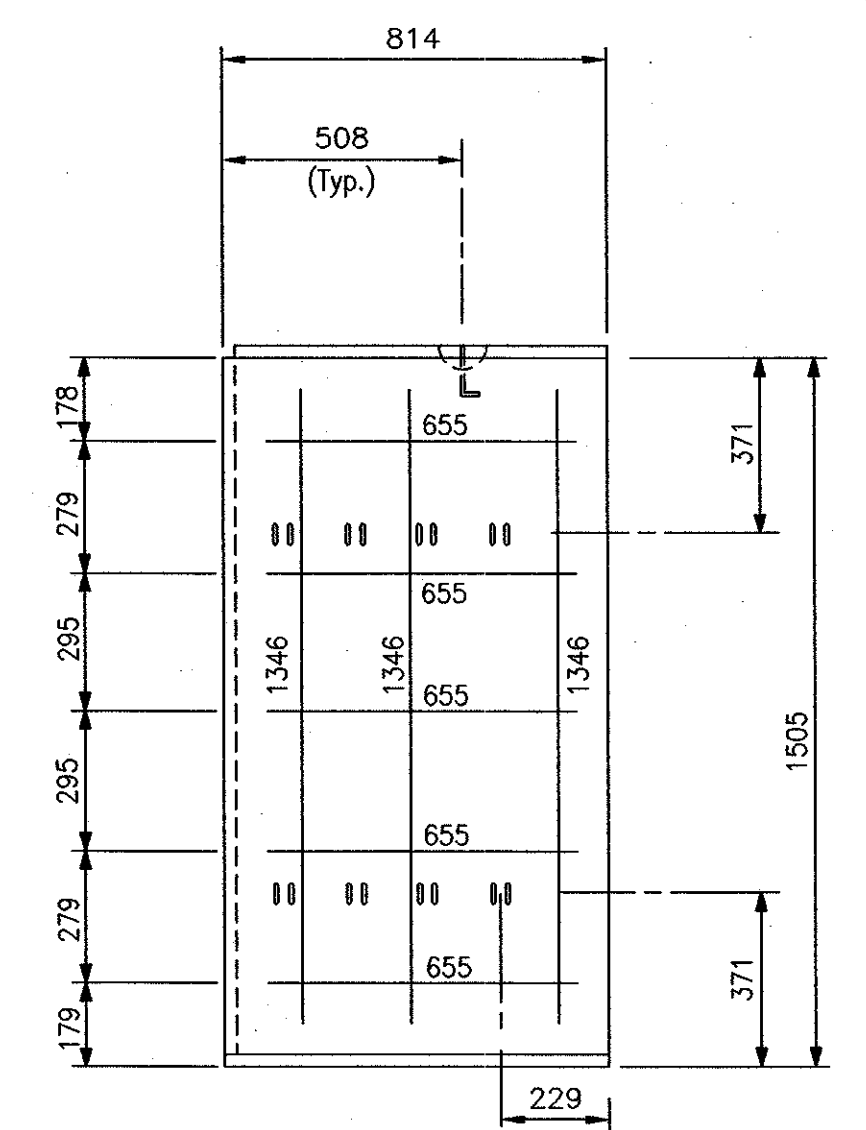
NOTE: MALE KEY MUST BE REMOVED FROM THIS SIDE.  
**TYPE "4AL"**  
(BACK FACE)  
N.T.S.



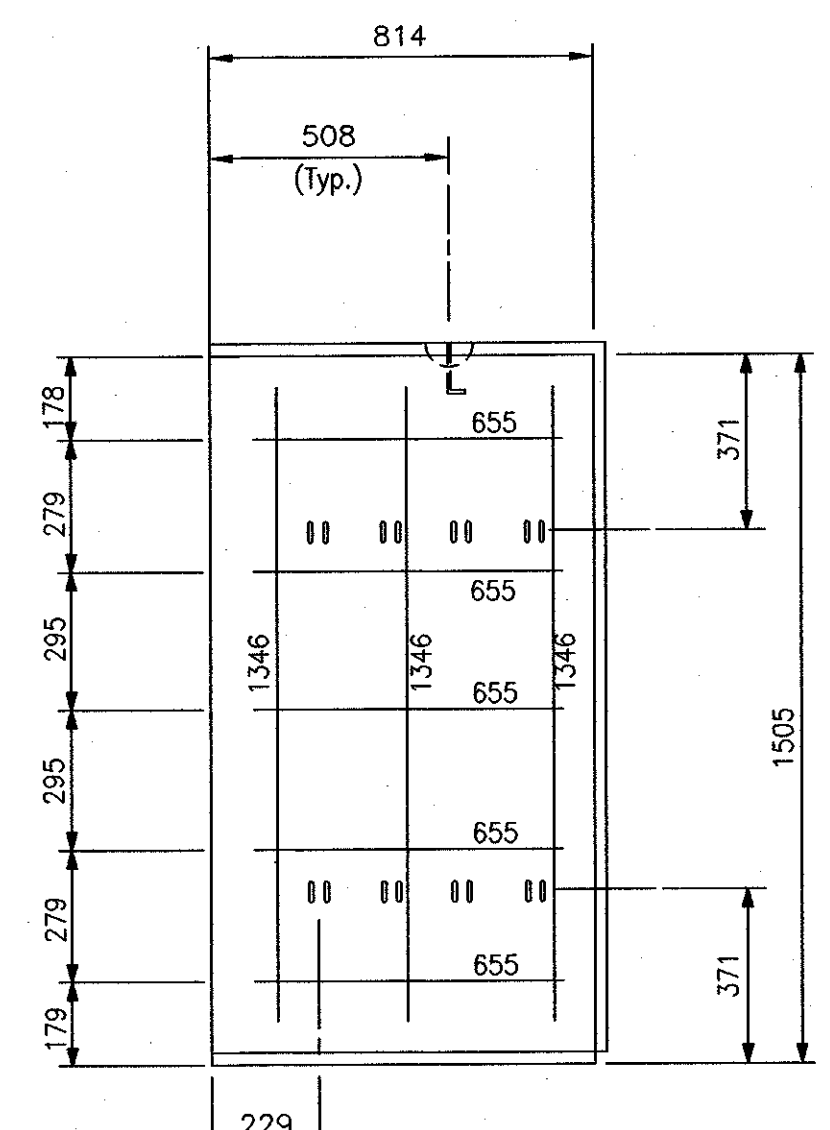
**TYPE "5G35-0T"**  
(BACK FACE)  
N.T.S.



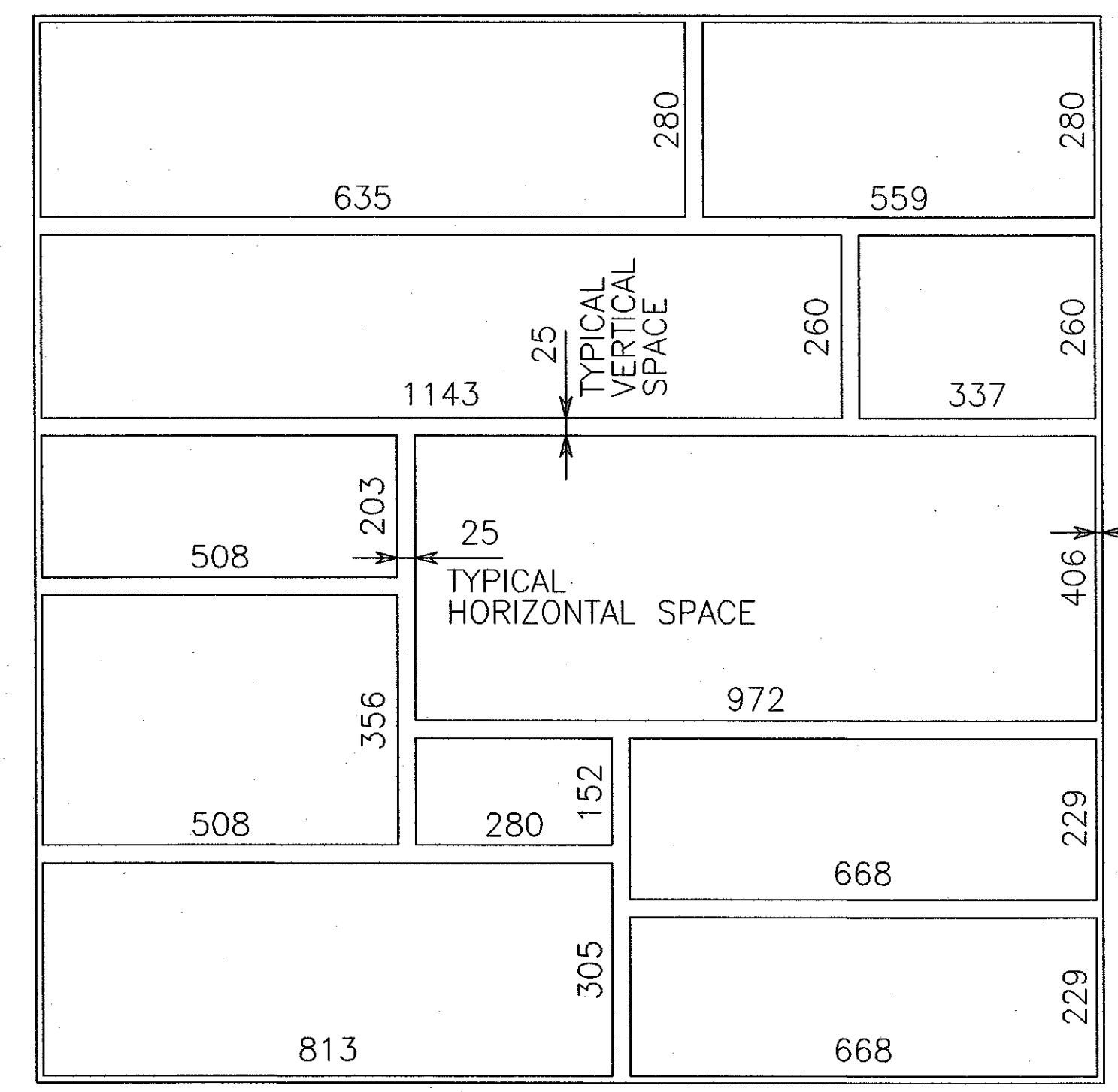
**SECTION C-C**  
N.T.S.



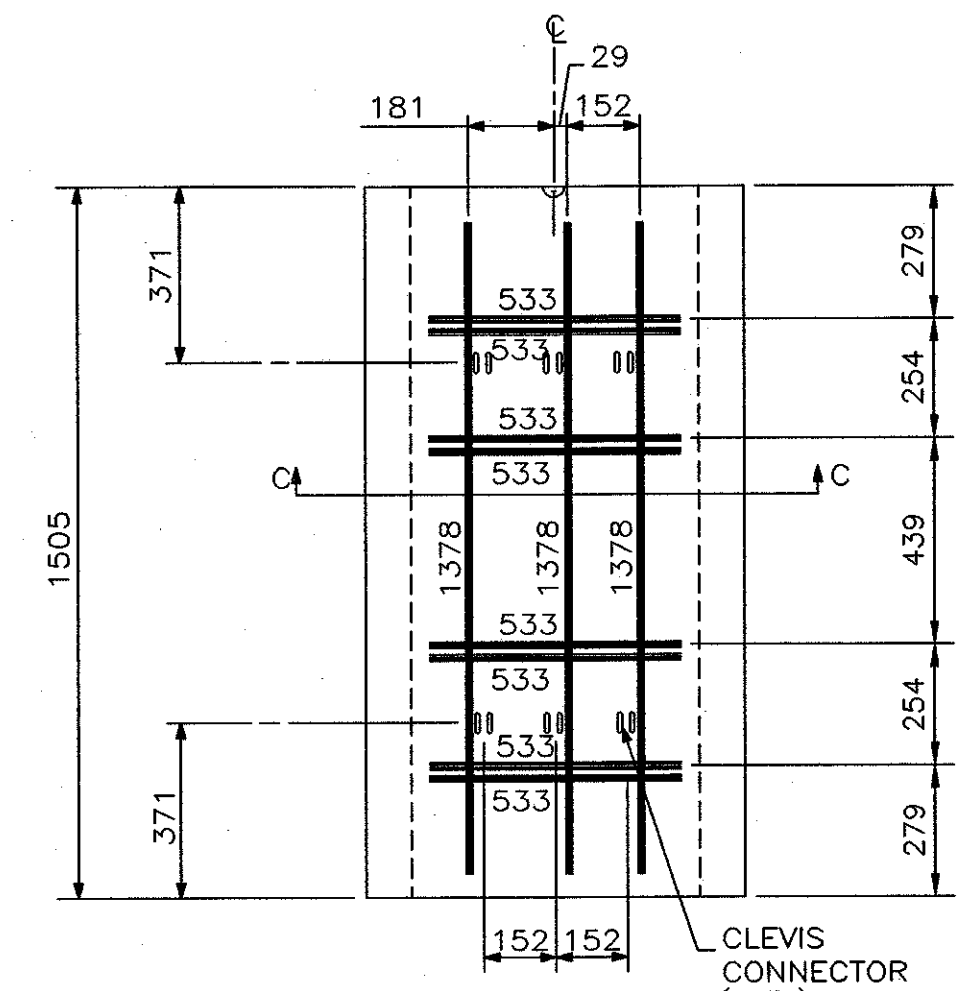
**TYPE "4YAL0.814" REBAR**  
(BACK FACE)  
N.T.S.



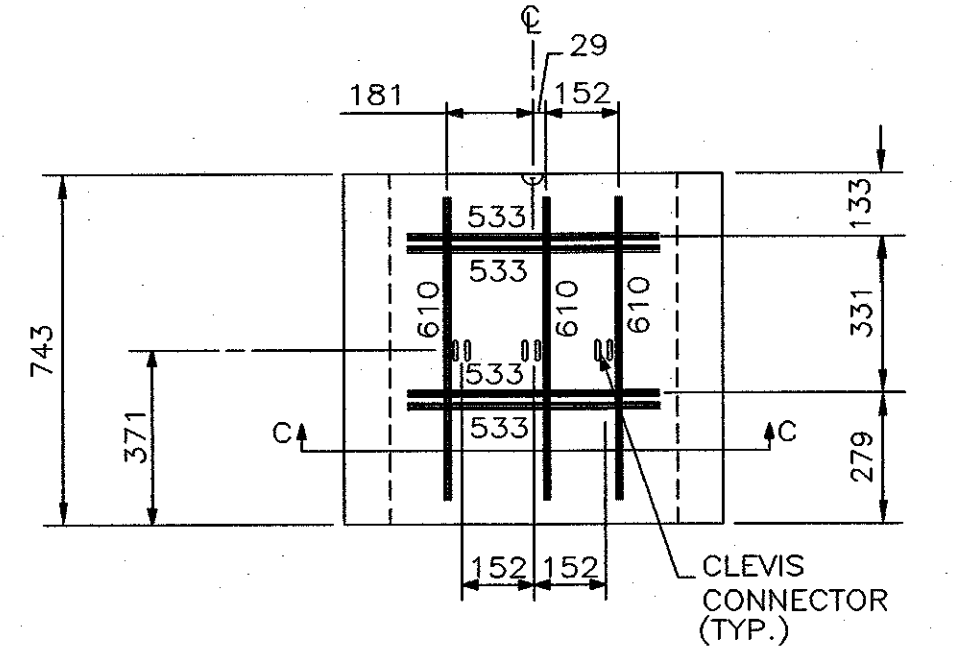
**TYPE "4YAR0.814" REBAR**  
(BACK FACE)  
N.T.S.



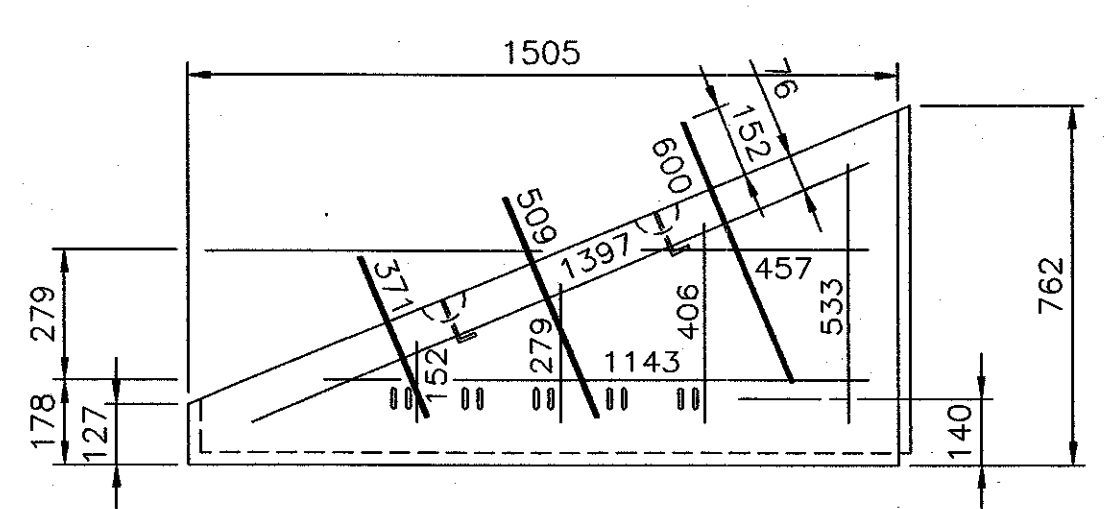
**TYPICAL ASHLAR PANEL FACE**  
(FRONT FACE)



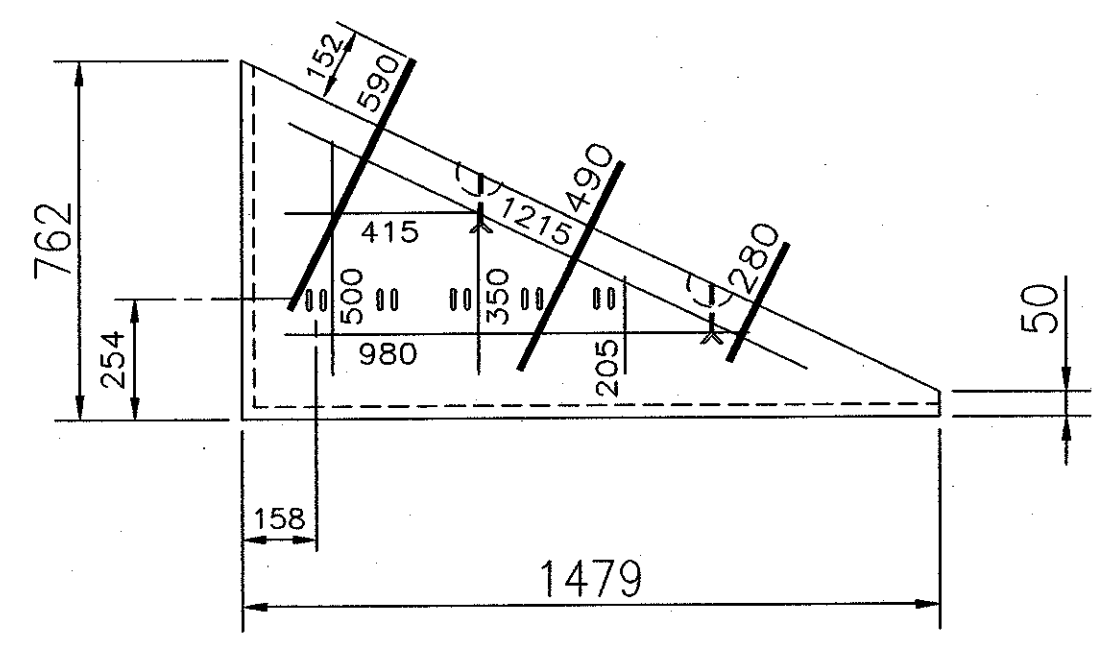
**TYPE "3MA\_135"**  
(BACK FACE)  
N.T.S.



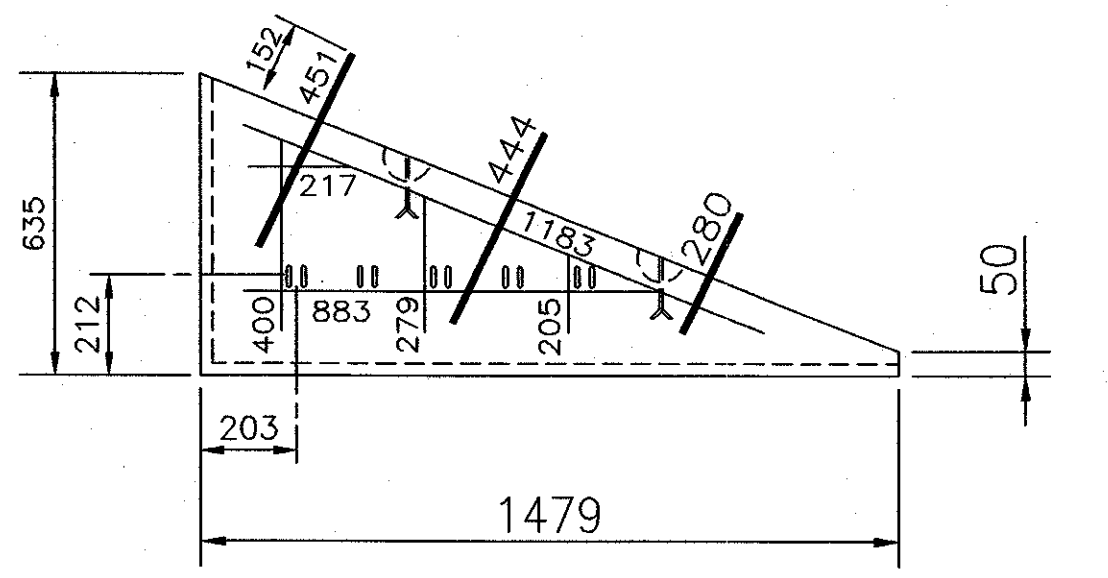
**TYPE "3MB30\_135"**  
(BACK FACE)  
N.T.S.



**TYPE "5G30-5T"**  
(BACK FACE)  
N.T.S.



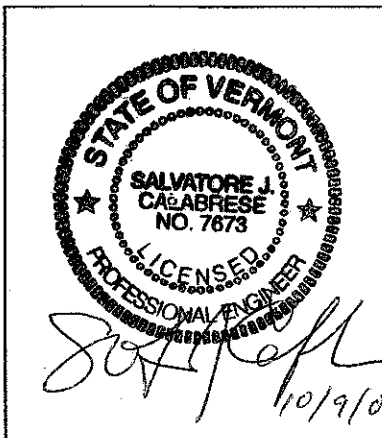
**TYPE "5G0-30T"**  
(BACK FACE)  
N.T.S.



**TYPE "5G0-25T"**  
(BACK FACE)  
N.T.S.

NOTE: ALL DIMENSIONS ARE IN MILLIMETERS (mm) UNLESS OTHERWISE NOTED.

CERTIFIED FOR INTERNAL STABILITY OF RETAINED EARTH™ STRUCTURES ONLY. EXTERNAL STABILITY, INCLUDING BUT NOT LIMITED TO FOUNDATION AND SLOPE STABILITY, IS THE RESPONSIBILITY OF THE OWNER. DESIGN IS BASED ON THE ASSUMPTION THAT THE MATERIAL WITHIN THE RETAINED EARTH™ MASS, METHODS OF CONSTRUCTION, AND QUALITY OF PREFABRICATED MATERIALS CONFORM TO THE MANUFACTURER'S SPECIFICATION.



Foster Geotechnical claims a strict proprietary right in all drawings, specifications and calculations ("information") set forth on this sheet. The use of such information in whole or in part, or any reproduction thereof, is restricted to the site for which it was prepared and to the material and/or service provided by Foster Geotechnical. Any other use is strictly prohibited, and Foster Geotechnical disclaims any LIABILITY THEREFOR.

<b>STATE OF VERMONT AGENCY OF TRANSPORTATION</b>			
Town Of	BENNINGTON	Bridge No.	BR400
Highway No.	VT. RTE. 9	Log Sta.	
		Surv. Sta.	14+140
VT. RTE. 9 OVER AIRPORT BROOK WEST			
<b>PANEL REINFORCEMENTS</b>			
Designed By	I. LIONG	Drawn By	I. LIONG
Checked By	Date	Bridge Design Supervisor	Date
	L. CLAY/M. MAGARELLI 11/99		
PROJECT	BENNINGTON-HOOSICK	PROJECT NO.	D.P.I. 0146(1) C/3
I.G.C. Info.			
Bridge Sheet No.	BR436	Sheet	225 of 473