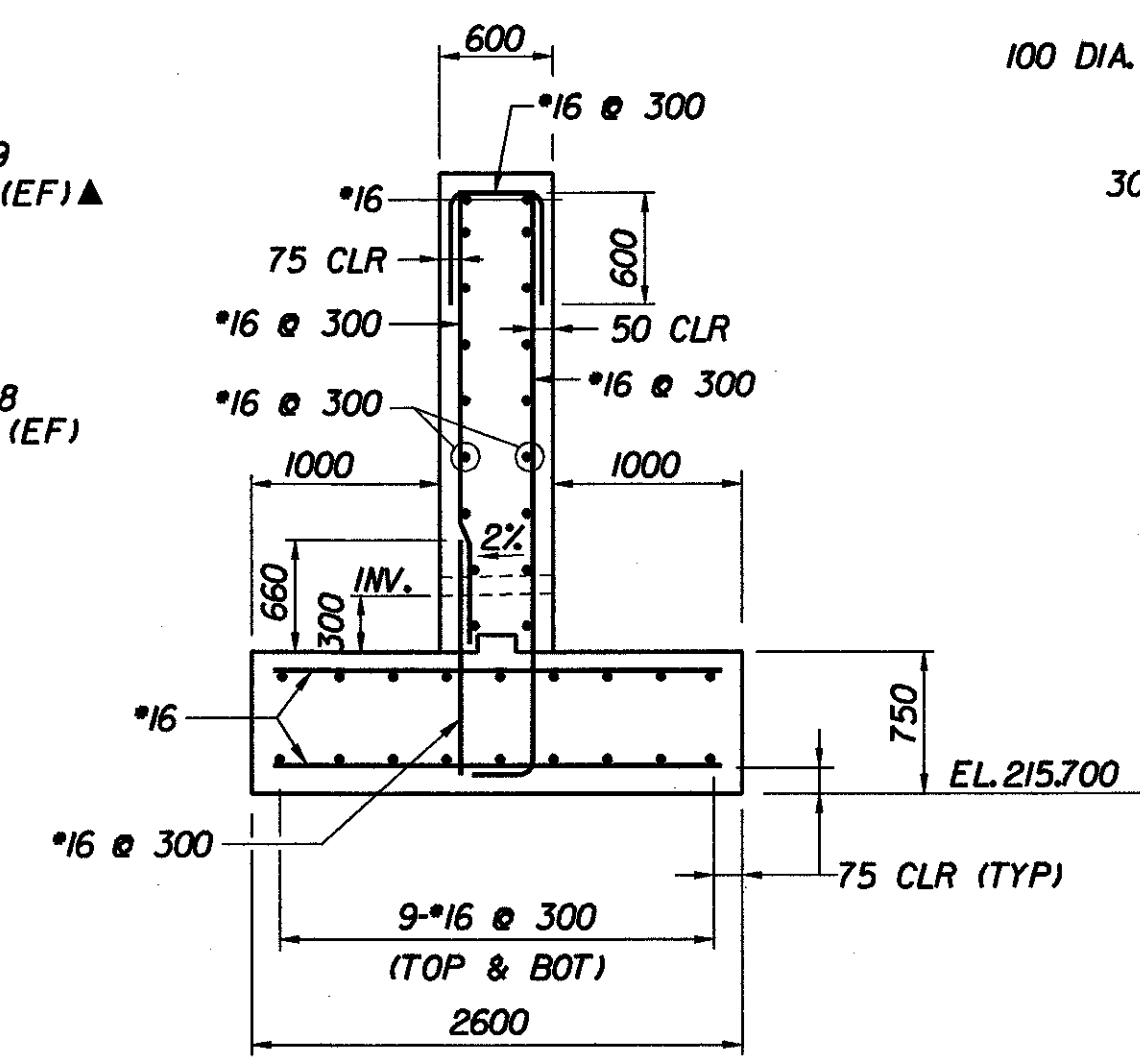
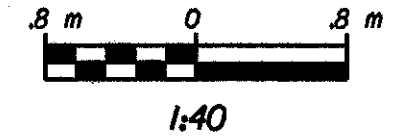
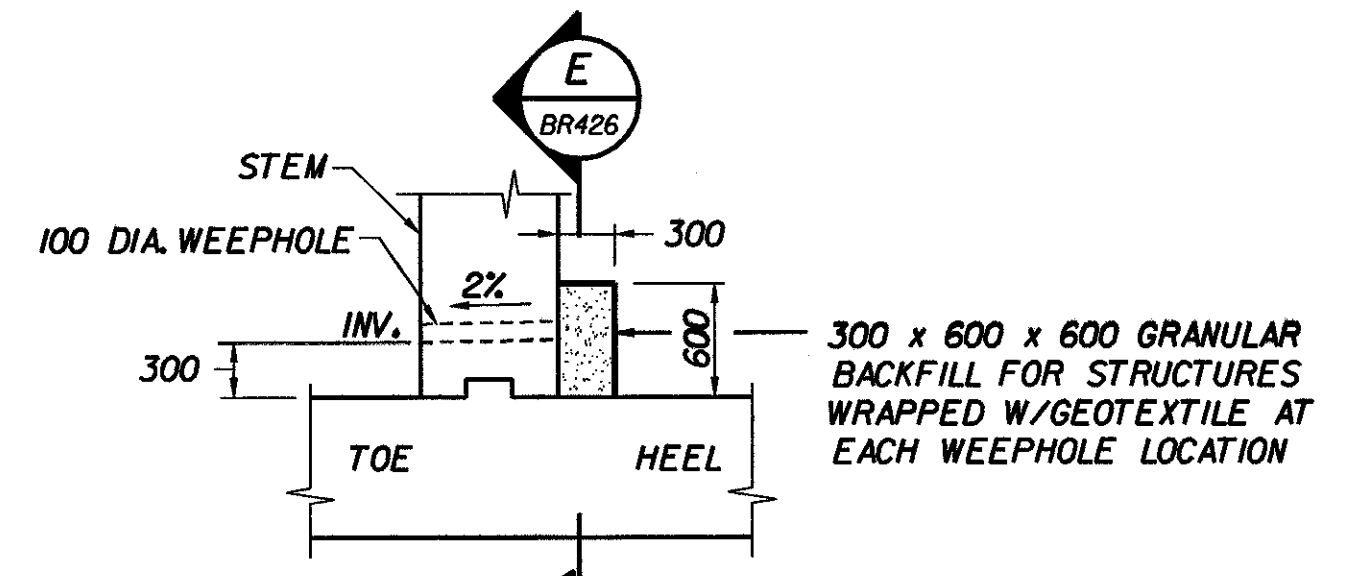
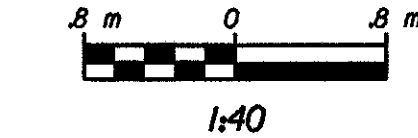


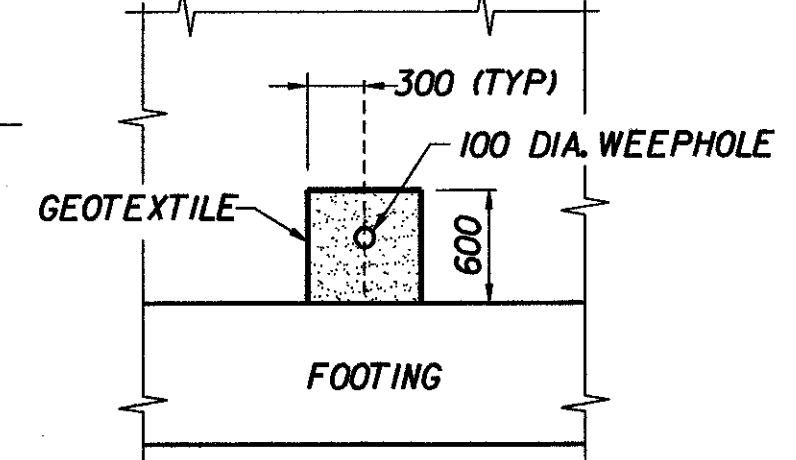
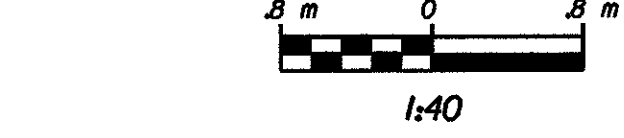
WINGWALL REINFORCEMENT ELEVATIONS



TYPICAL WINGWALL SECTION



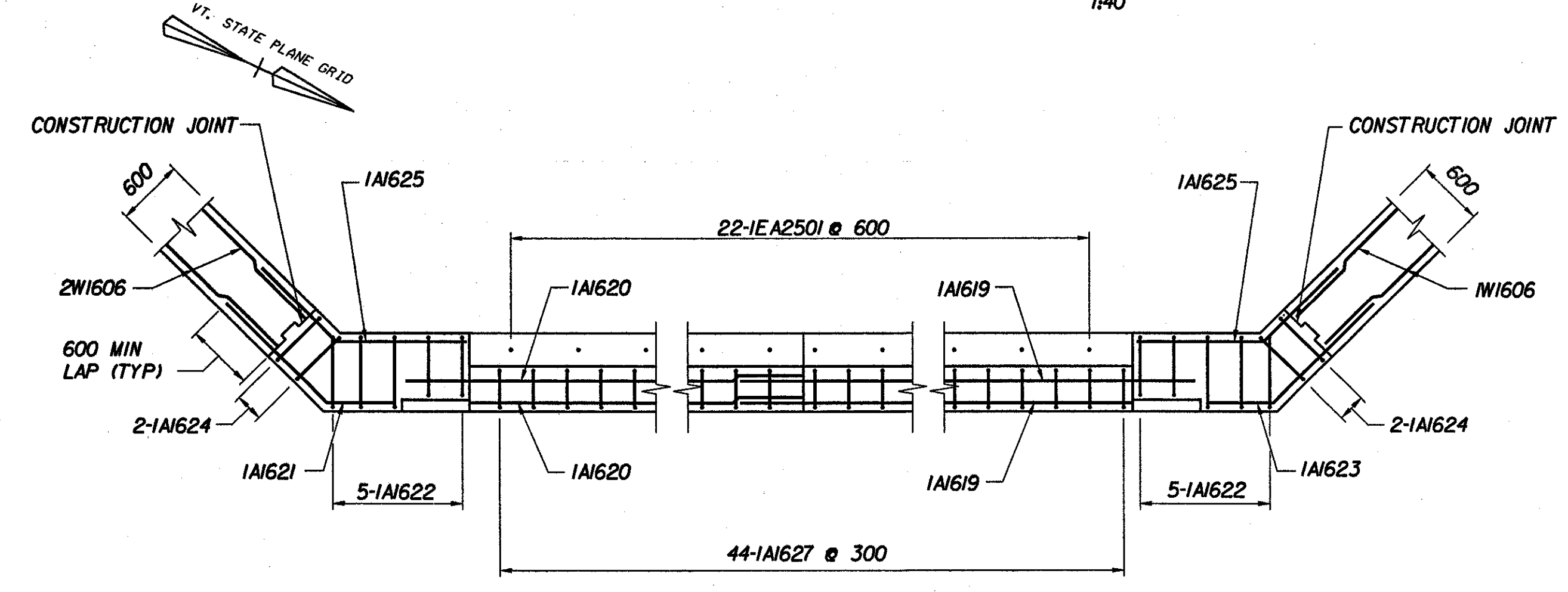
TYPICAL WEEPHOLE DETAIL



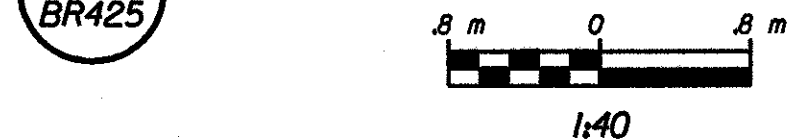
WEEPHOLE SECTION



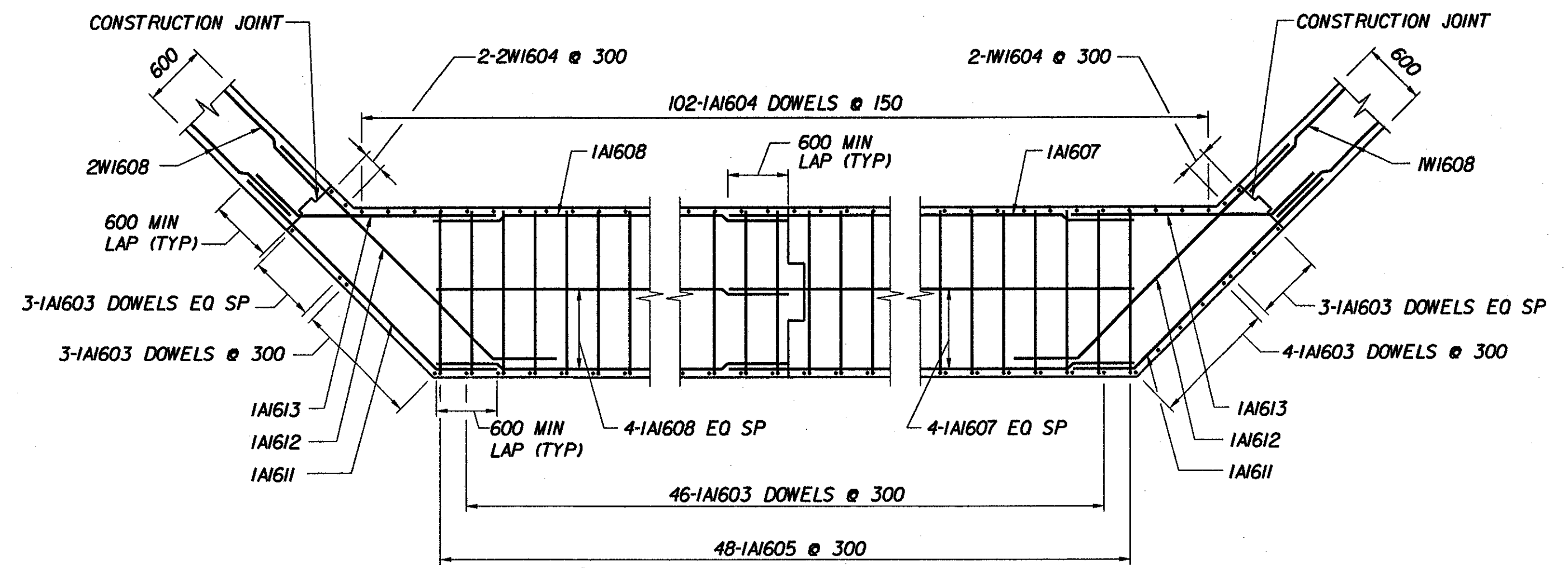
NOTE:
THIS WILL BE PAID FOR UNDER THE "GRANULAR BACKFILL FOR STRUCTURES" ITEM 204.30



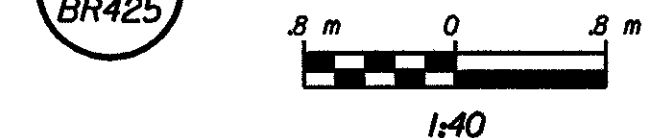
B TOP OF BACKWALL REINFORCEMENT PLAN



NOTE:
ADJUST REINFORCING AROUND DOWNSPOUT RECESSES.

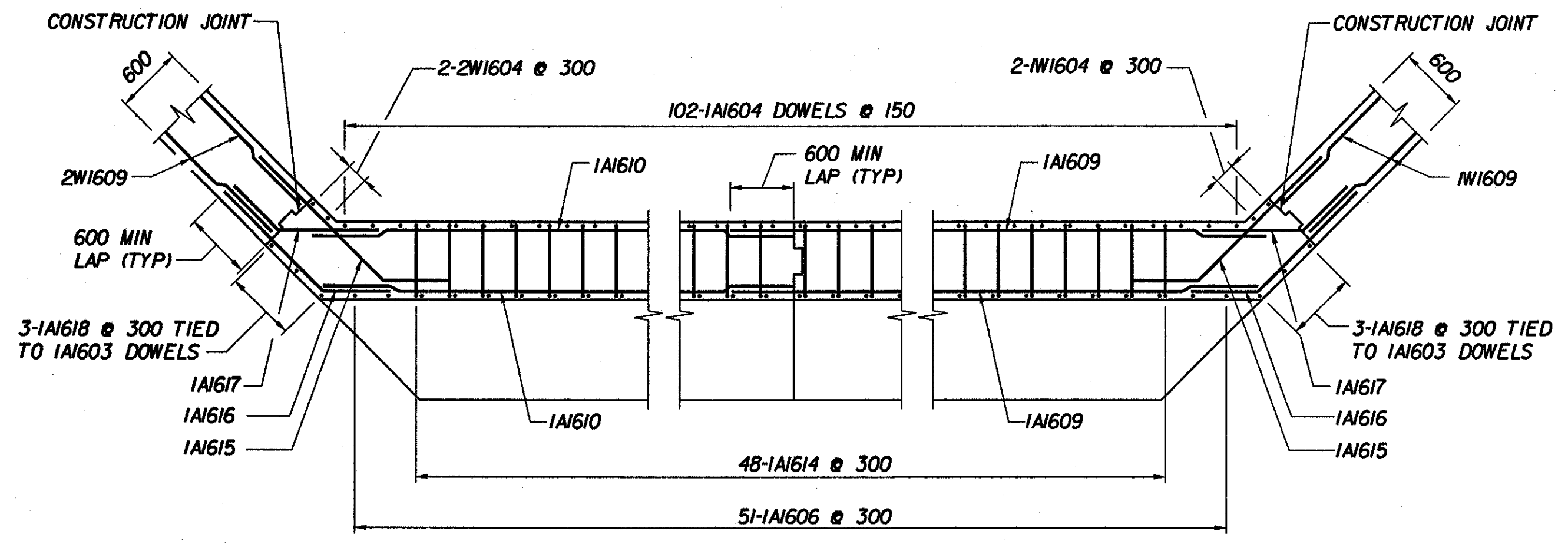


D STEM REINFORCEMENT PLAN

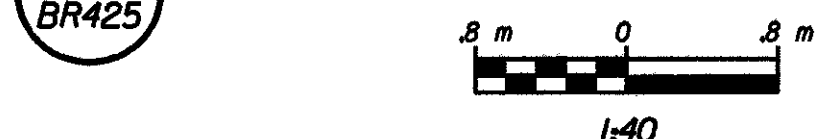


NOTES:

- NF DENOTES NEAR FACE. FF DENOTES FAR FACE. EF DENOTES EACH FACE.
- ▲ INDICATES BARS TO FIELD CUT.



C CORNER & BACKWALL REINFORCEMENT PLAN



STATE OF VERMONT AGENCY OF TRANSPORTATION

Town Of	BENNINGTON	Bridge No.	BR400
Highway No.	VT. RTE. 9	Log Sta.	
		Surv. Sta.	I4+140
VT. RTE. 9 OVER AIRPORT BROOK WEST			
ABUTMENT I DETAILS			
Designed By	M. GOGUEN	Drawn by	B. WEATHERBY
Checked By	Date	Bridge Design Supervisor	
	P. PERKINS 11/01	M. OLSTAD	Date 11/01
PROJECT	BENNINGTON-HOOSICK	PROJECT NO.	D.P.L. 014611
I.G.C. Info.			
Bridge Sheet No.	BR426	Sheet	215 OF 473