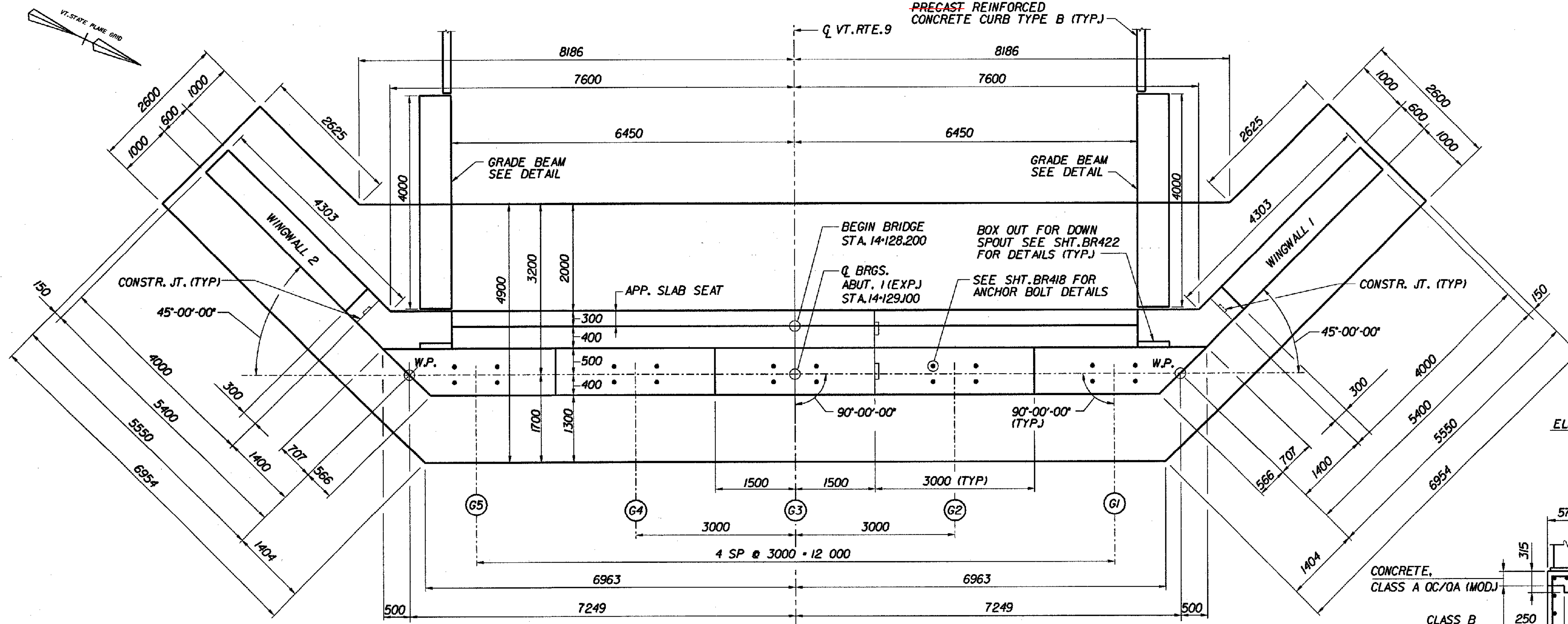
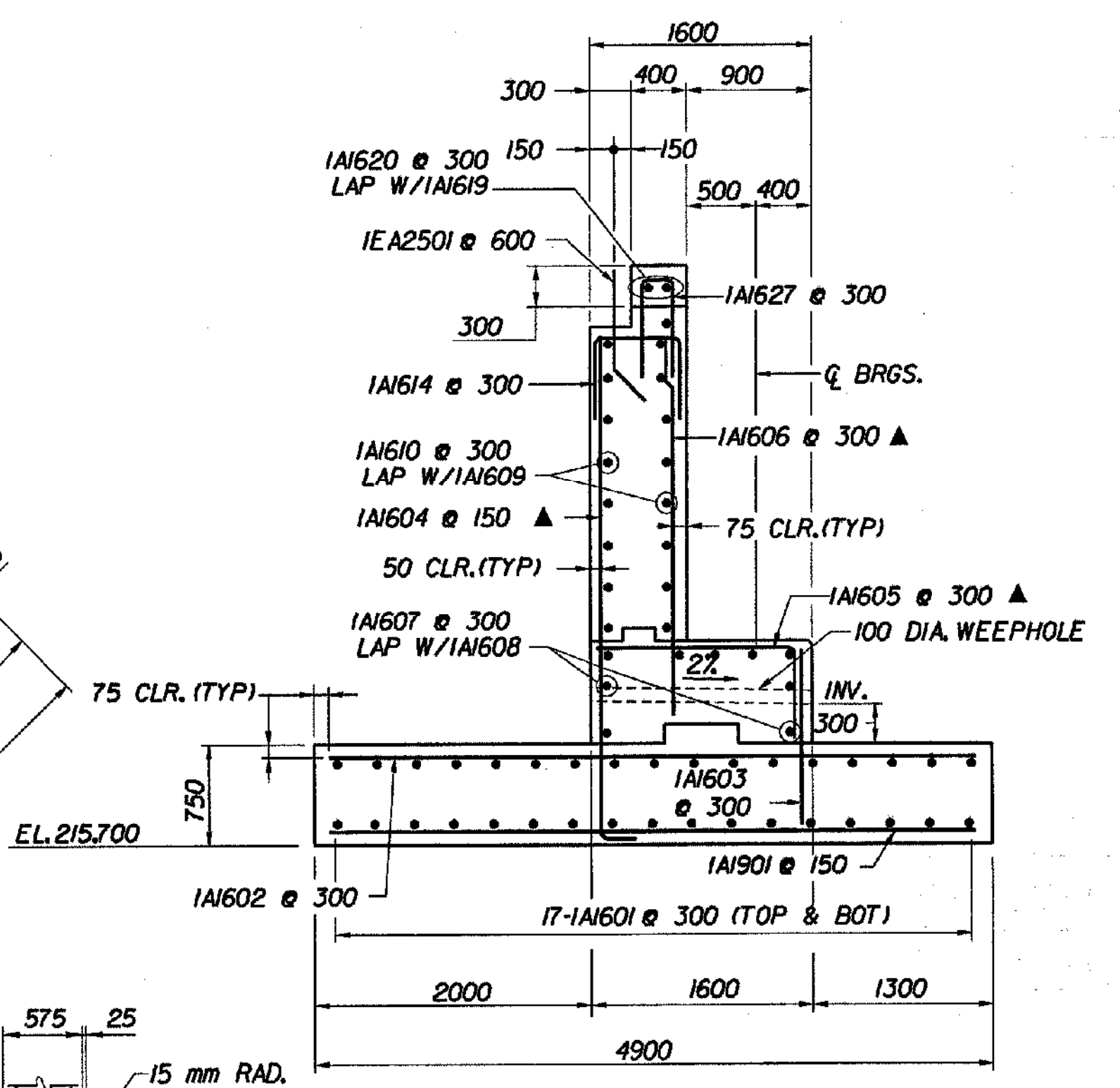


A.O.B.E. - CHANGED TO CAST  
 -IN-PLACE (SLIP FORMED)  
 PRECAST REINFORCED  
 CONCRETE CURB TYPE B (TYP.)

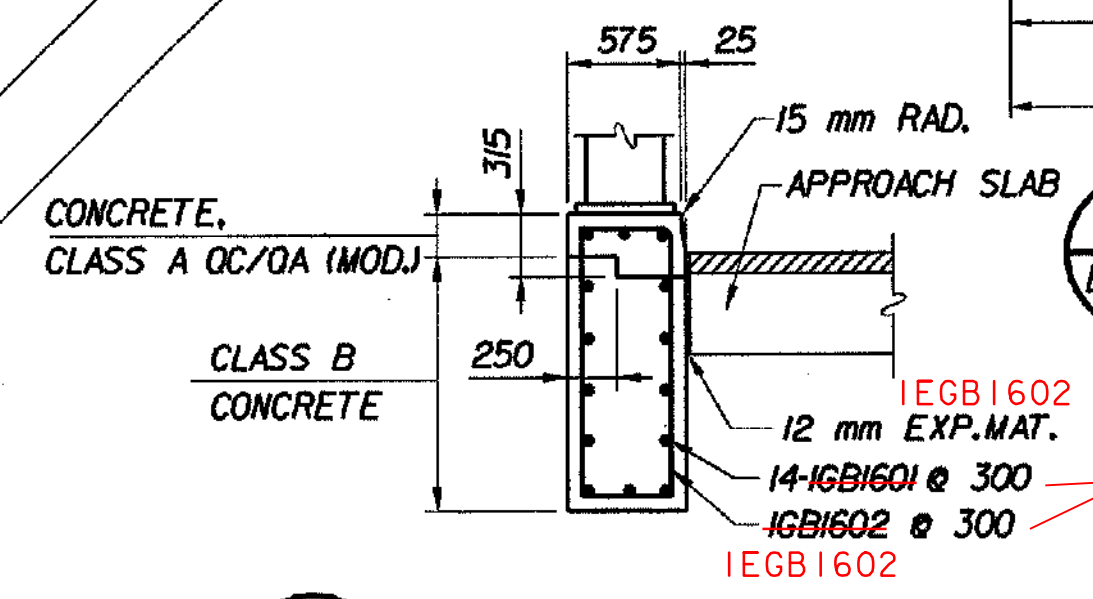
JFW 2/2/06



**PLAN**  
 1:50  
 1 m 0 1 m

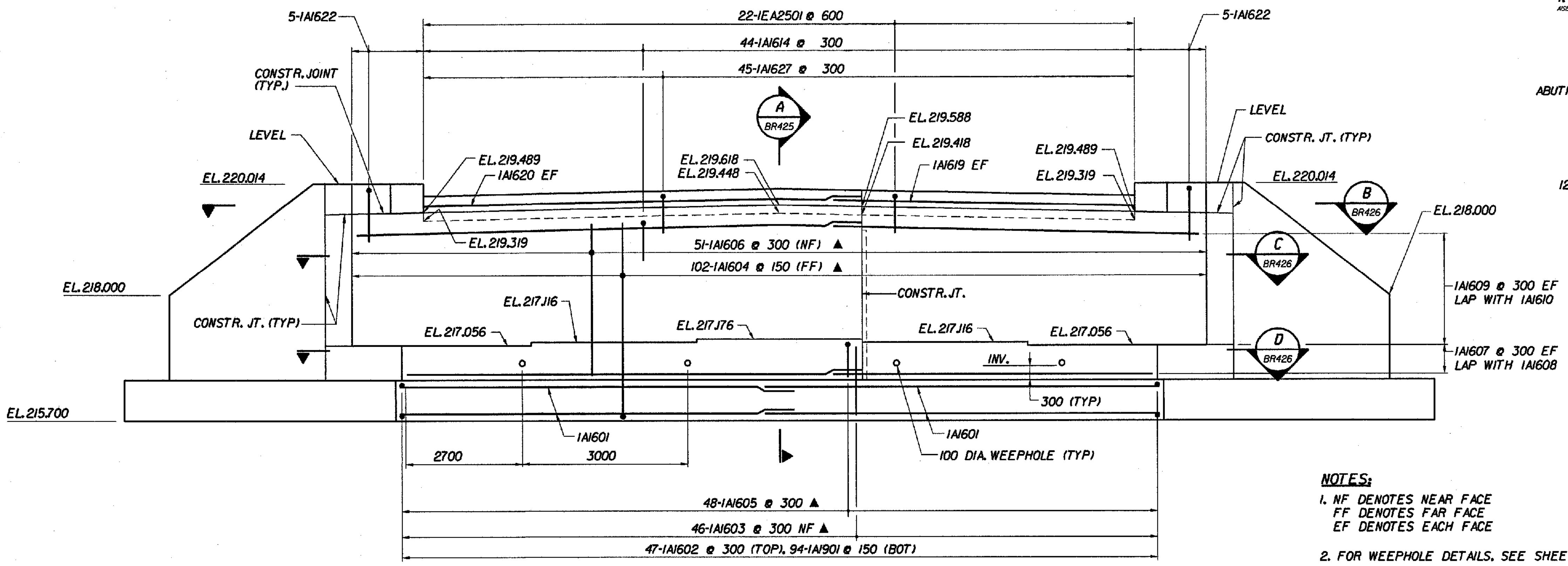


**A ABUTMENT SECTION**  
 BR425  
 1:40  
 2 m 0 2 m

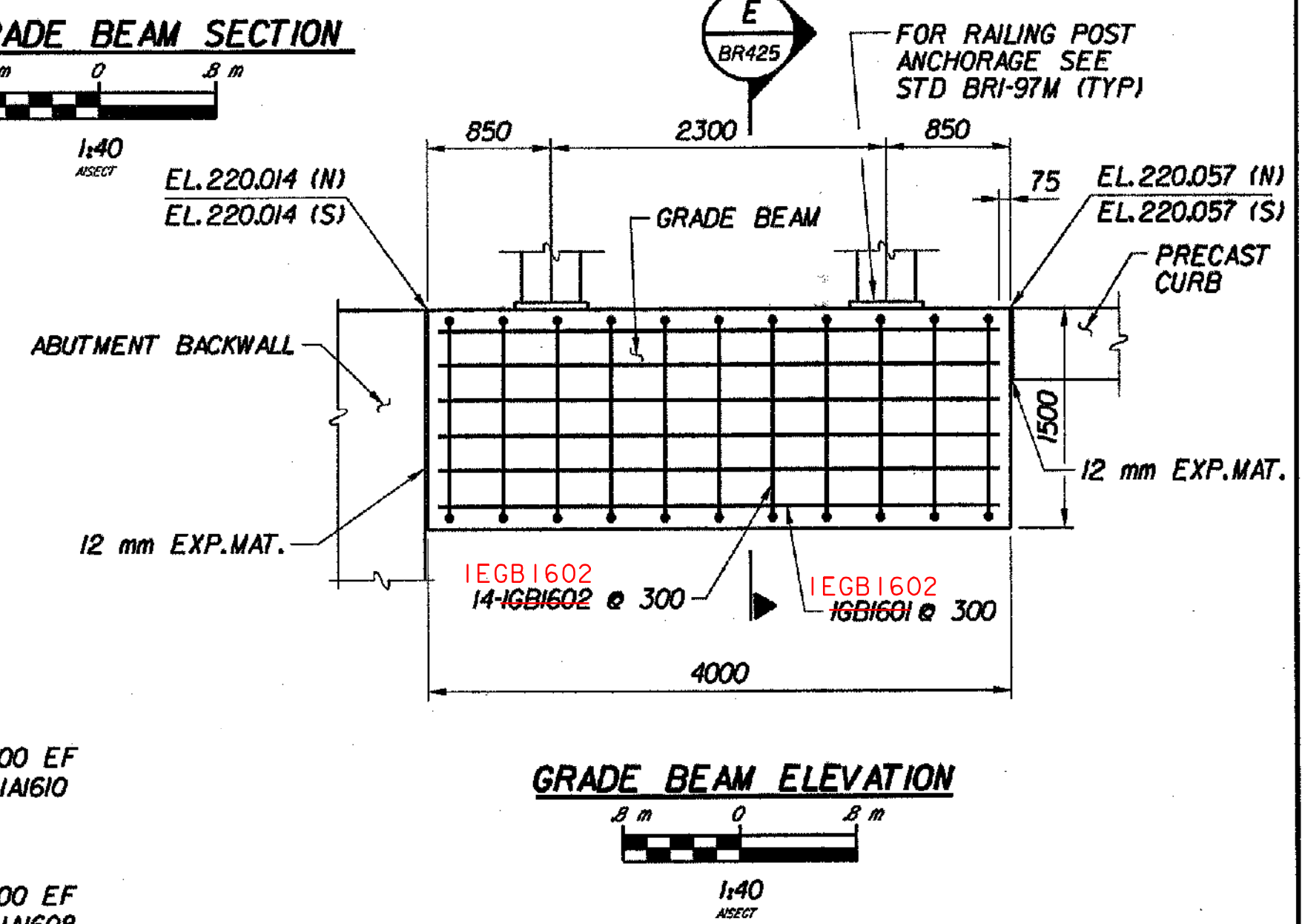


**E GRADE BEAM SECTION**  
 BR425  
 1:40  
 2 m 0 2 m

GRADE BEAM REINFORCING WAS  
 CHANGED TO EPOXY COATED.  
 JFW 2/2/06



**ELEVATION**  
 1:50  
 1 m 0 1 m



**GRADE BEAM ELEVATION**  
 1:40  
 2 m 0 2 m

- NOTES:**
1. NF DENOTES NEAR FACE  
 FF DENOTES FAR FACE  
 EF DENOTES EACH FACE
  2. FOR WEEPHOLE DETAILS, SEE SHEET BR426
  3. ▲ INDICATES BARS TO FIELD CUT.

\*GRADE BEAM REINFORCING WAS CHANGED TO EPOXY COATED. A.O.B.E.  
 JFW 2/2/06  
 \*\*A.O.B.E. - PRECAST CONCRETE CURB WAS CHANGED TO CAST-IN-PLACE  
 (SLIP FORMED). JFW 2/2/06

**CHA CLOUGH, HARBOUR & ASSOCIATES LLP**  
 ENGINEERS, SURVEYORS, PLANNERS  
 & LANDSCAPE ARCHITECTS  
 1100 BURNING TREE DRIVE, SUITE 200  
 ALBANY, NEW YORK, 12205

<b>STATE OF VERMONT AGENCY OF TRANSPORTATION</b>	
Town Of	BENNINGTON
Highway No.	VT. RTE. 9
VT. RTE. 9 OVER AIRPORT BROOK WEST	
<b>ABUTMENT I PLAN, ELEVATION &amp; SECTION</b>	
Designed By	M. GOGUEN
Checked By	P. PERKINS
PROJECT	BENNINGTON-HOOSICK
I.G.C. Info.	Bridge Sheet No. BR425
Bridge No.	BR400
Log Sta.	14+140
Surv. Sta.	14+140
PROJECT NO. D.P.J. 0146(1)	
Sheet 214 OF 473	

FILE NAME: \\s3573\151\488\p1\h1.plt  
 DATE/TIME: 10/11/2001  
 USER: 664