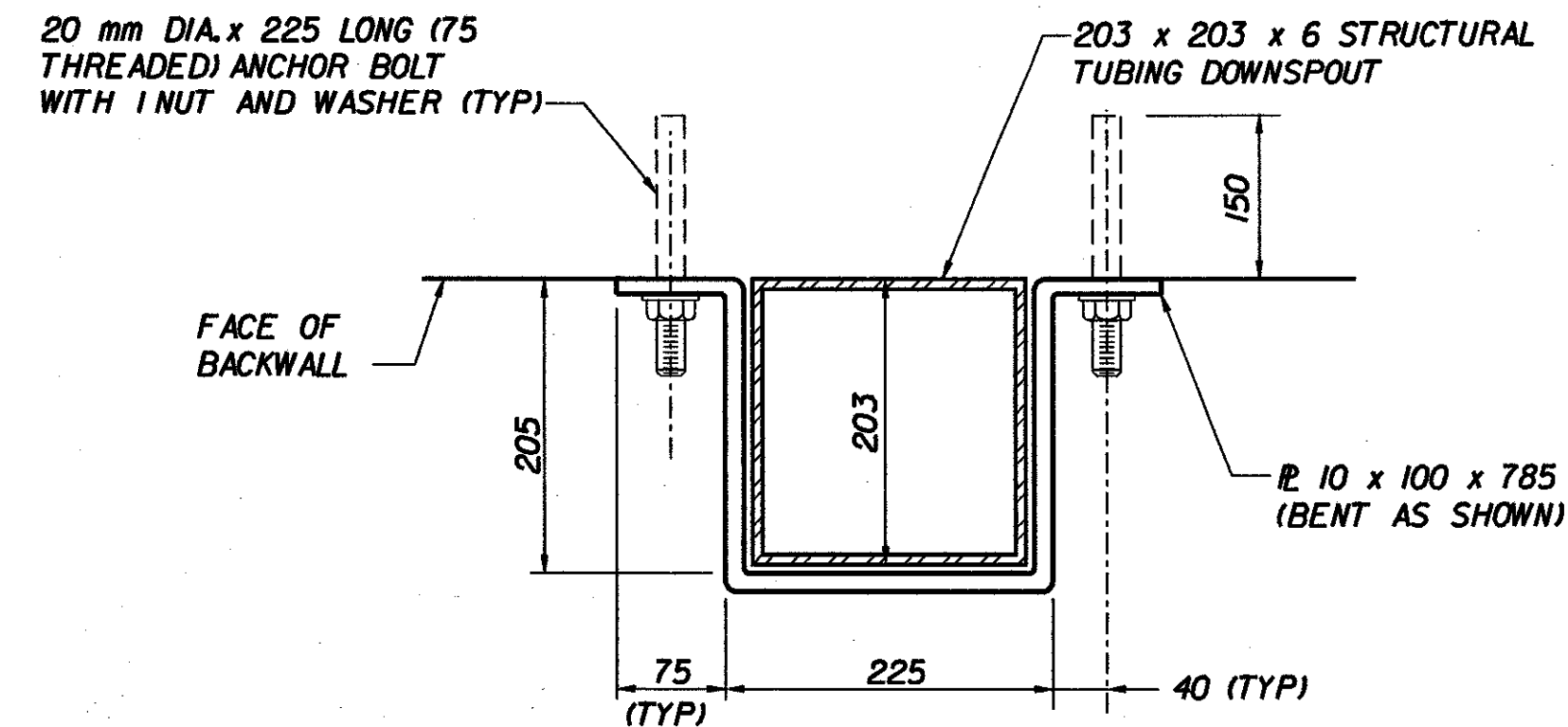
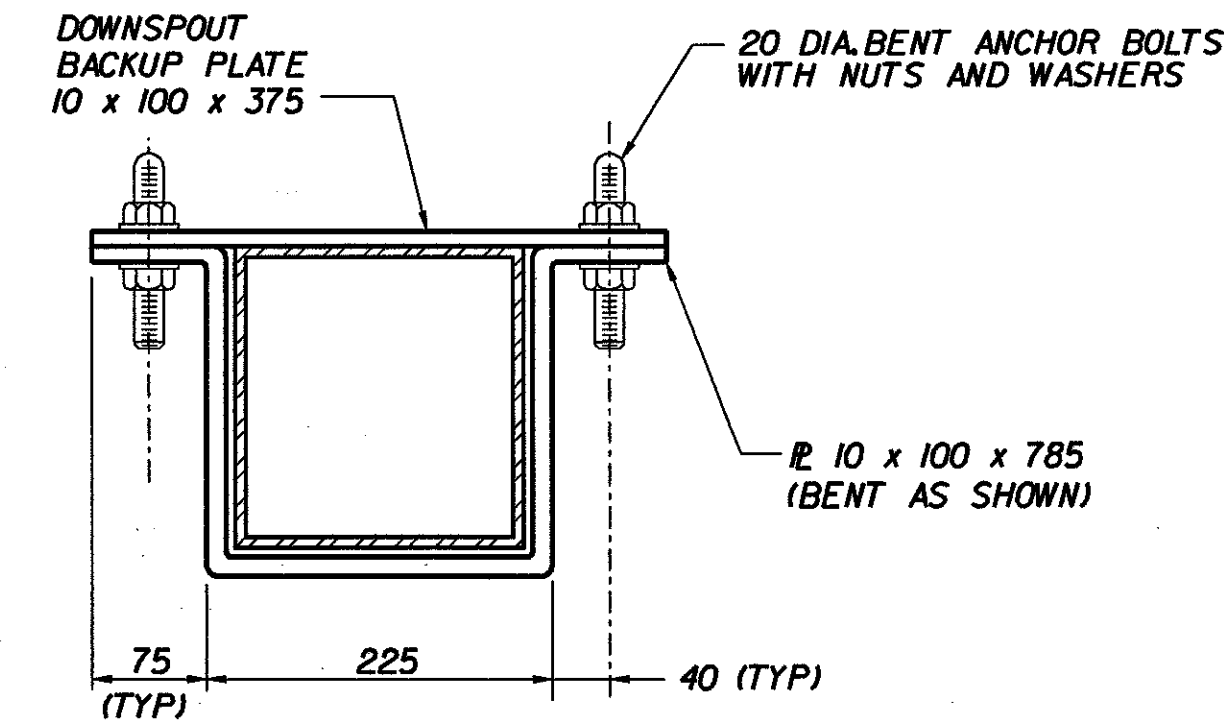


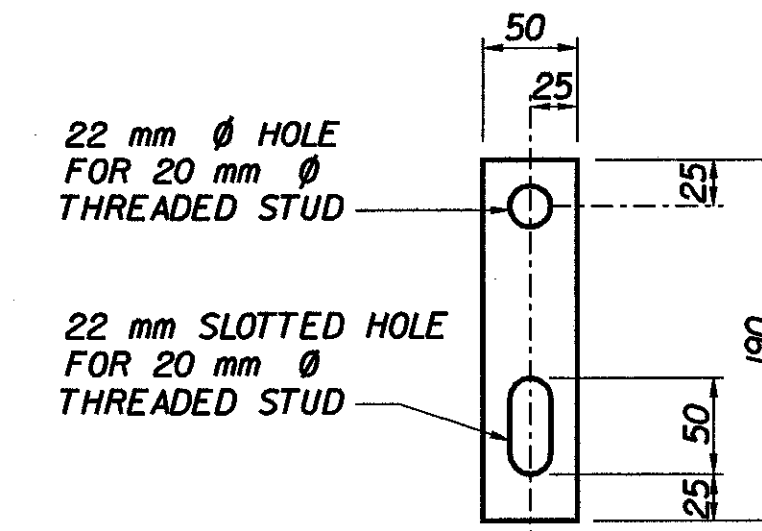
DOWNSPOUT BACKUP PLATE DETAIL



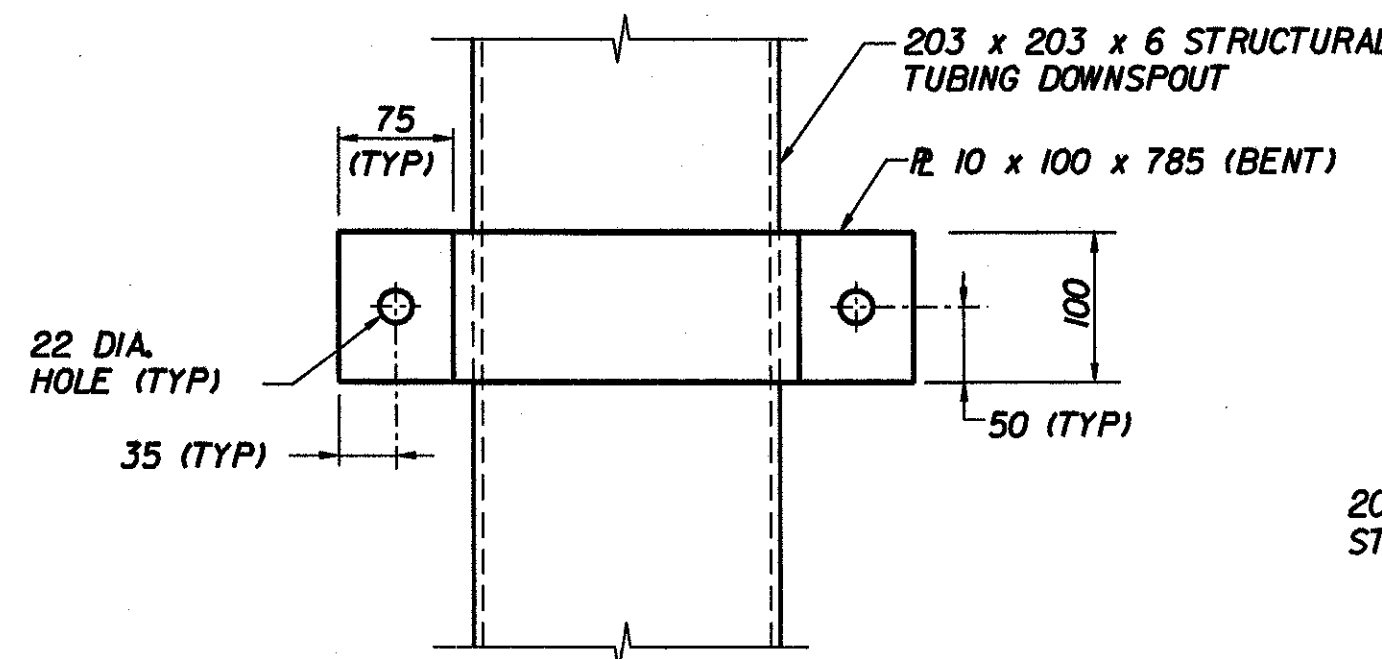
PLAN- DOWNSPOUT CONNECTION DETAIL (AT FACE OF BACKWALL)



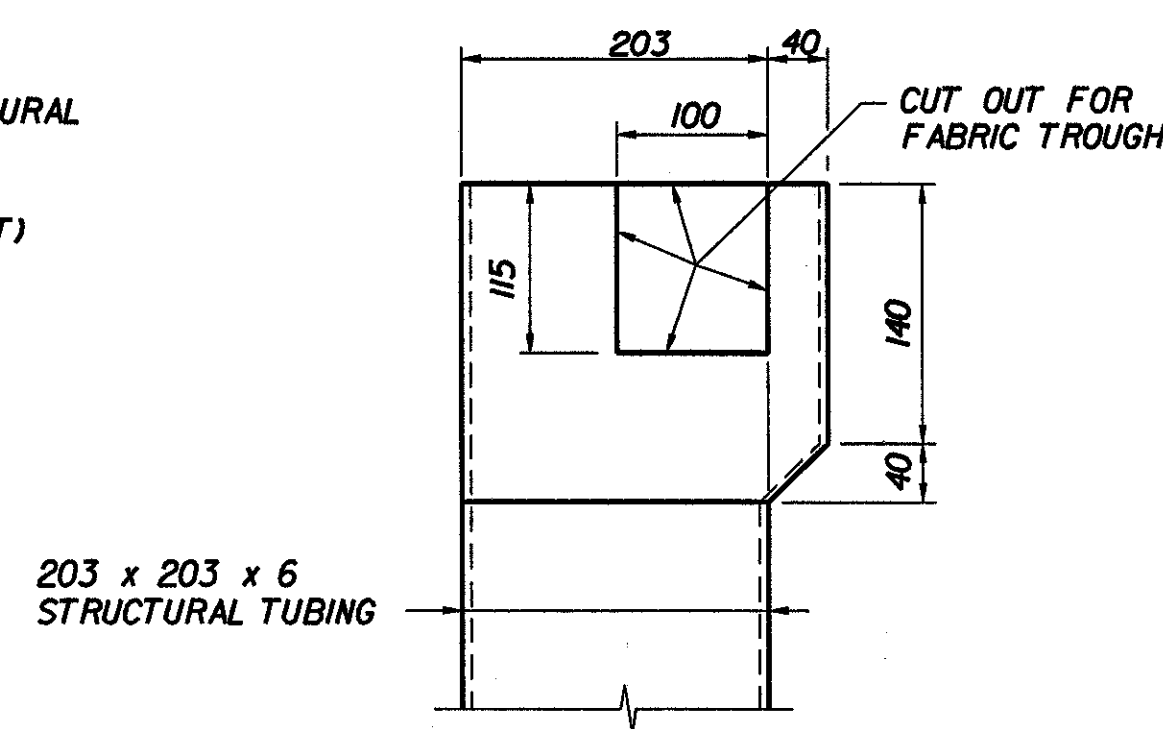
PLAN- DOWNSPOUT CONNECTION DETAIL (AT ABUTMENT SEAT)



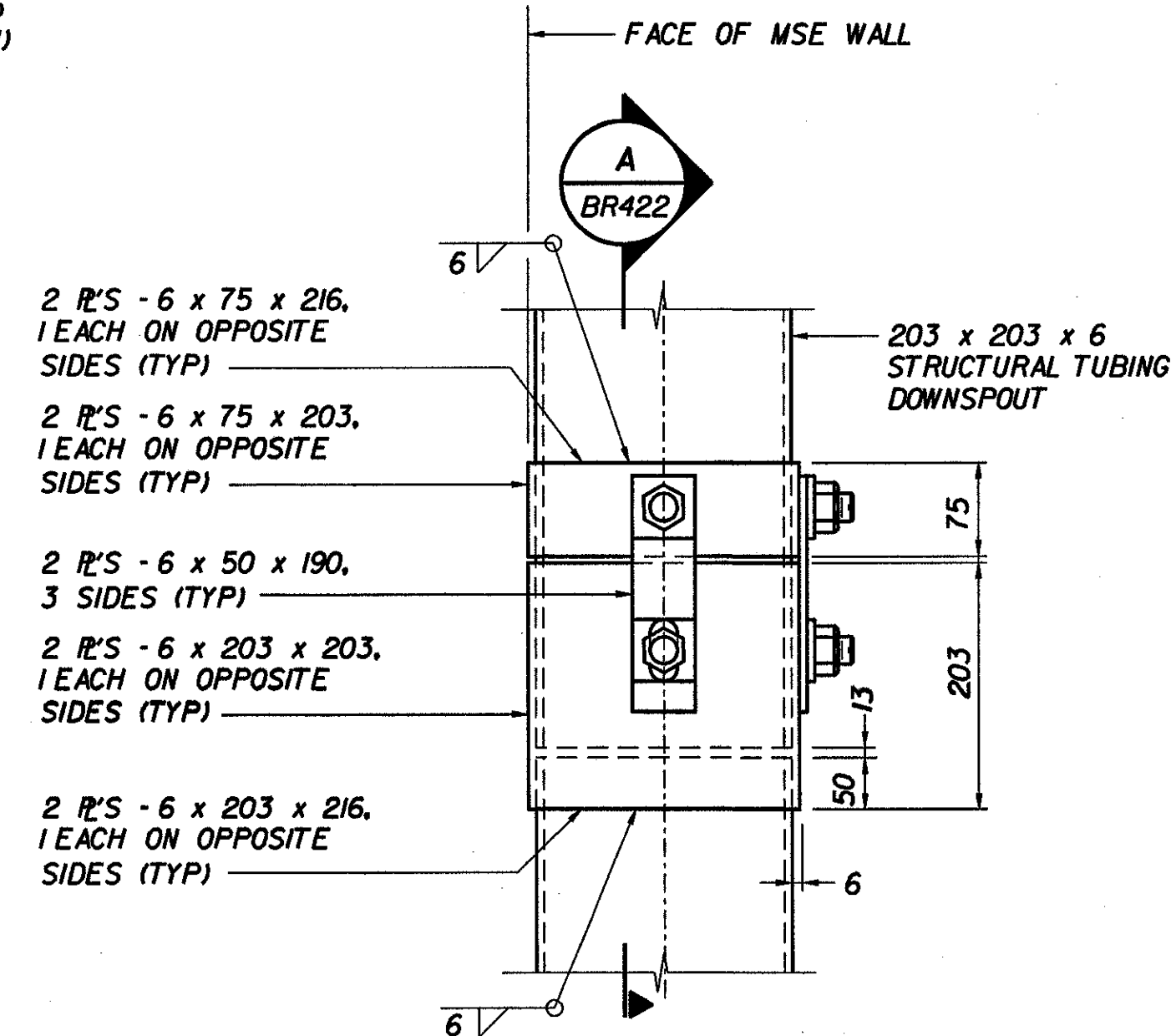
DOWNSPOUT JOINT STRAP DETAIL



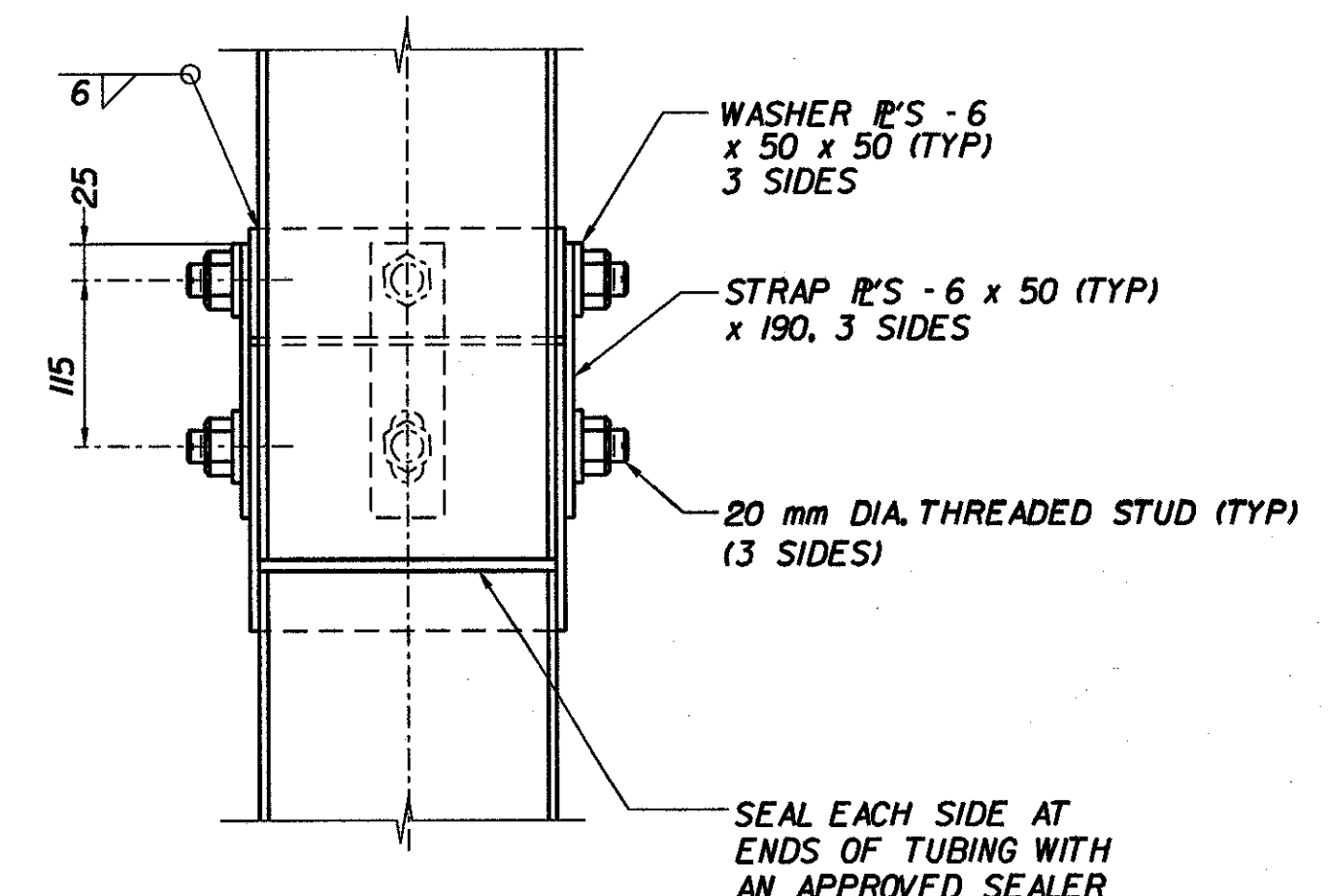
ELEVATION- DOWNSPOUT CONNECTION DETAIL



HOPPER ELEVATION

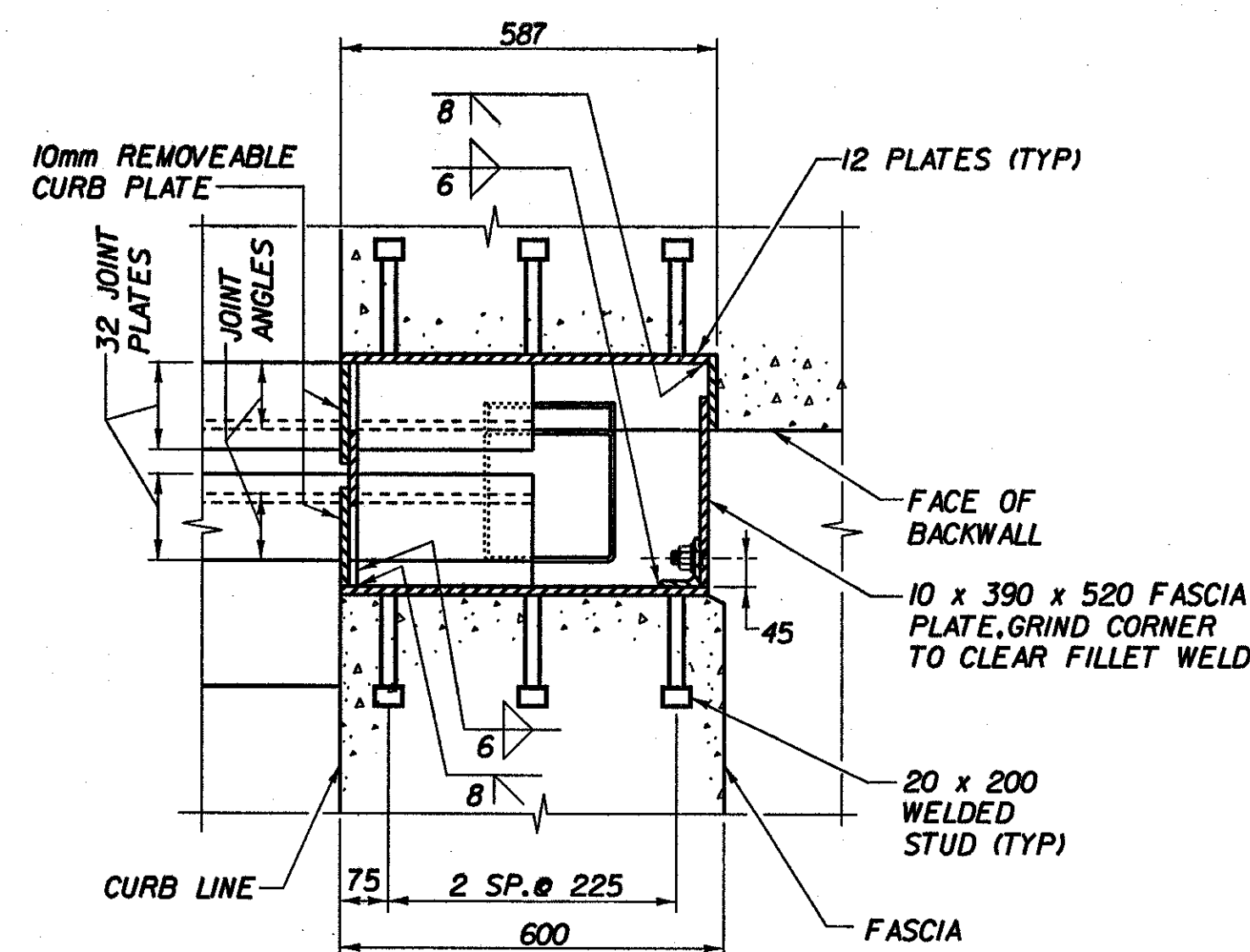
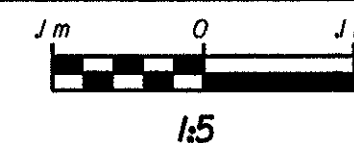


ELEVATION- DOWNSPOUT JOINT DETAIL

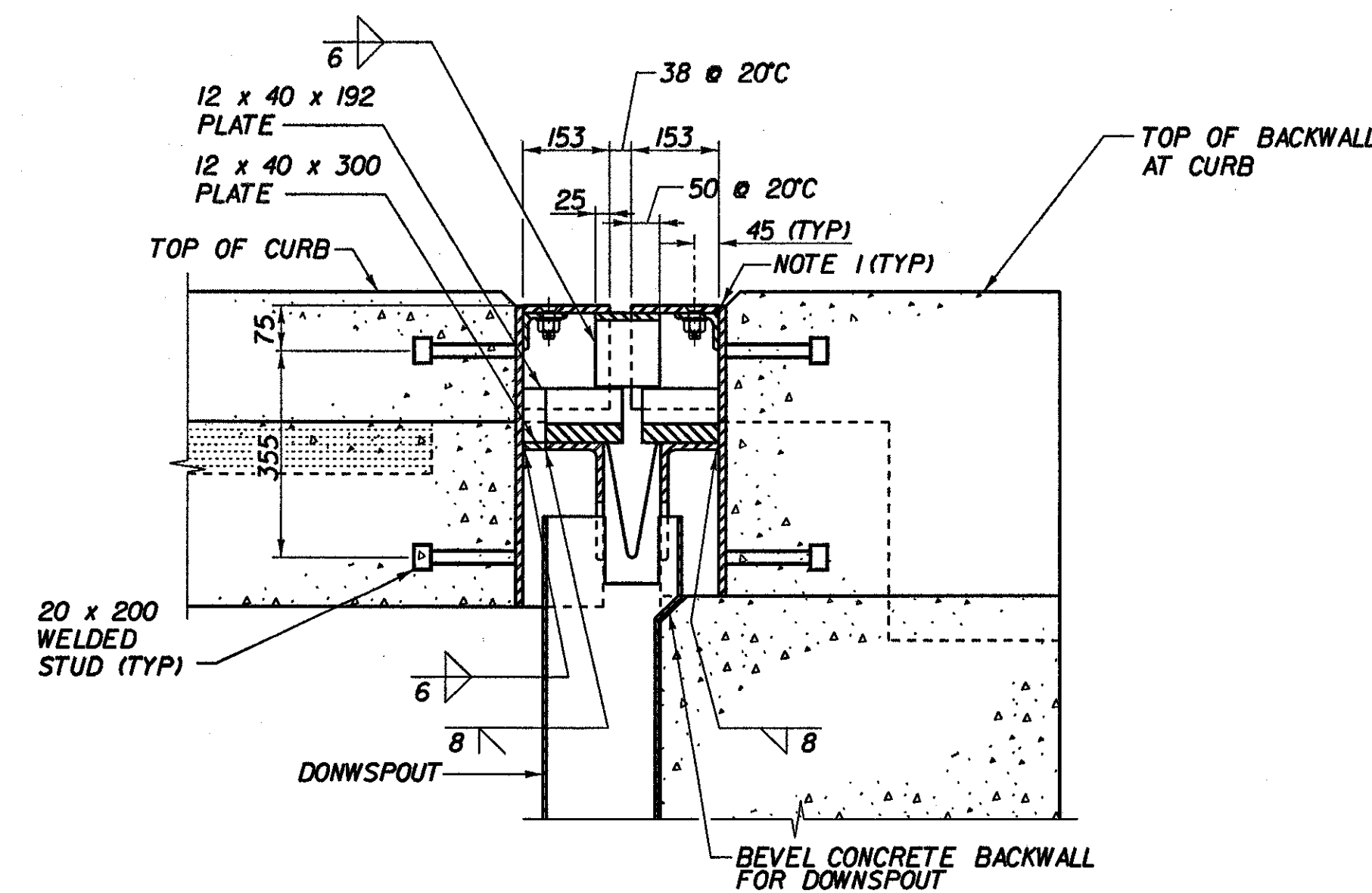
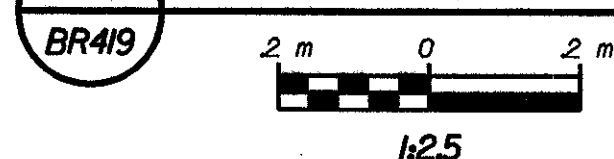


DOWNSPOUT JOINT

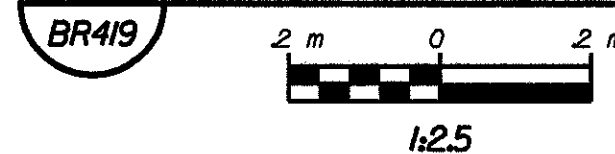
DOWNSPOUT DETAILS



D JOINT SECTION AT CURB



E JOINT SECTION AT CURB



NOTE:
1. SEAL JOINTS BETWEEN PLATES WITH SILICONE SEALANT. COST INCLUDED IN ITEM 516JO, BRIDGE EXPANSION JOINT.

STATE OF VERMONT AGENCY OF TRANSPORTATION

Town of	BENNINGTON	Bridge No.	BR400
Highway No.	VT. RTE. 9	Log Sta.	
		Surv. Sta.	14+140
VT. RTE. 9 OVER AIRPORT BROOK WEST			
BRIDGE JOINT DETAILS-4			
Designed By	P. PERKINS	Drawn by	B. WEATHERBY/K. DETRICK
Checked By	M. OLSTAD 11/01	Bridge Design Supervisor	M. OLSTAD Date 11/01
PROJECT	BENNINGTON-HOOSICK	PROJECT NO.	D.P.L. 0146(1)
I.G.C. Info.		Bridge Sheet No. BR422	

FILE NAME: 14-03873-VIS-400
DATE/TIME: 18/11/2001
USER: SCS