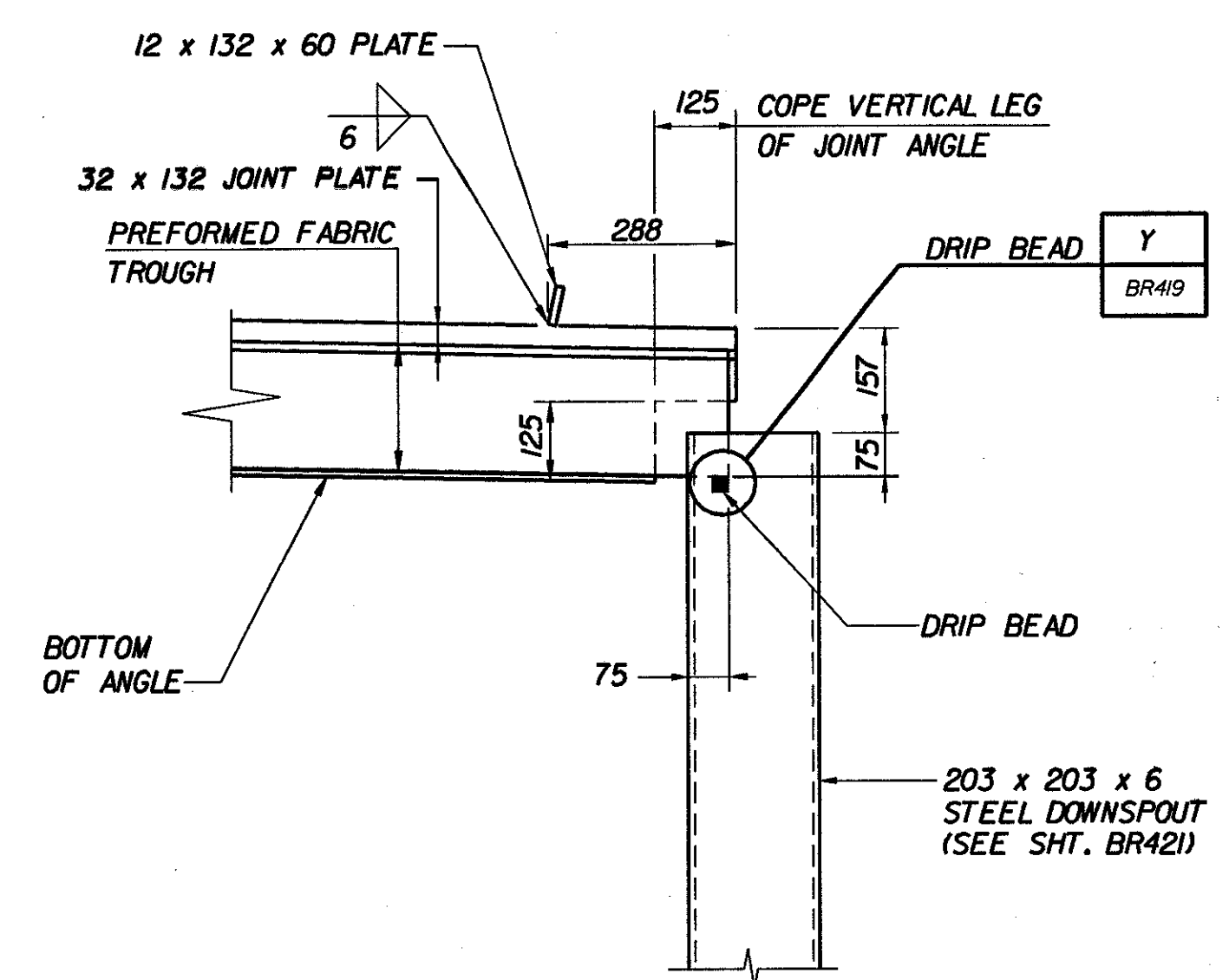
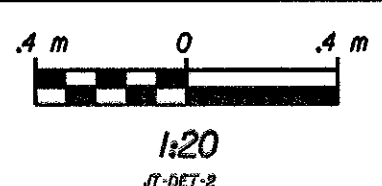
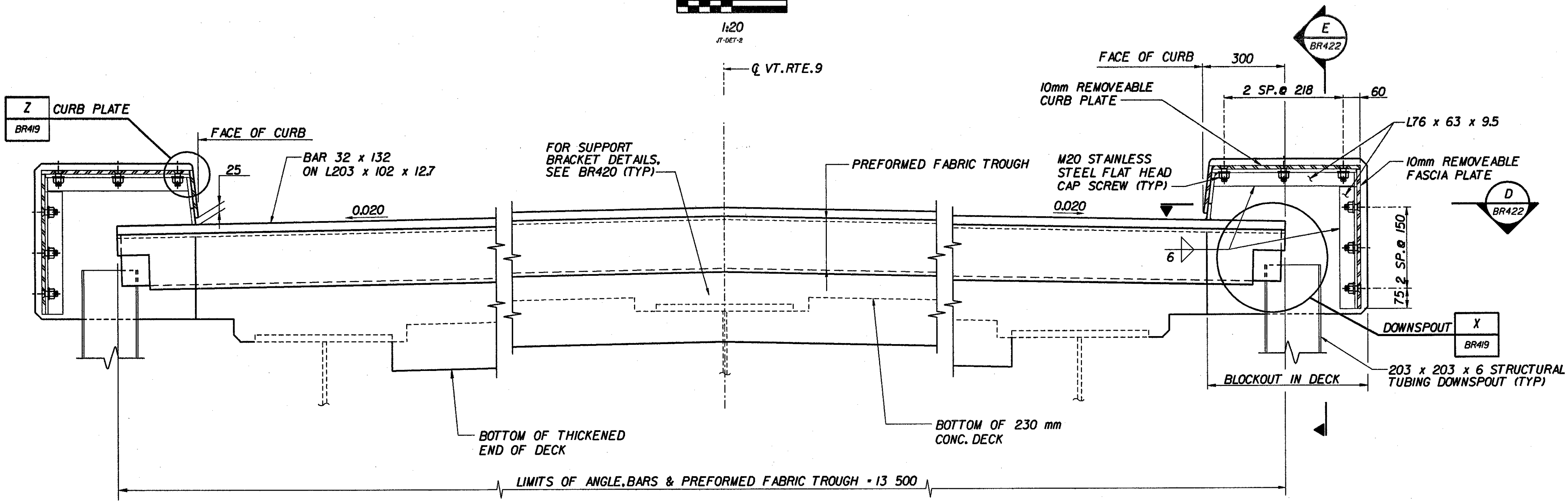


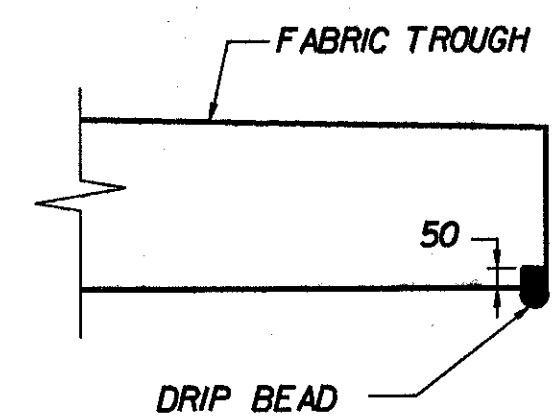
PART PLAN-BRIDGE EXPANSION JOINT AT ABUTMENT I



X DOWNSPOUT DETAIL
BR419
Scale: 1:10



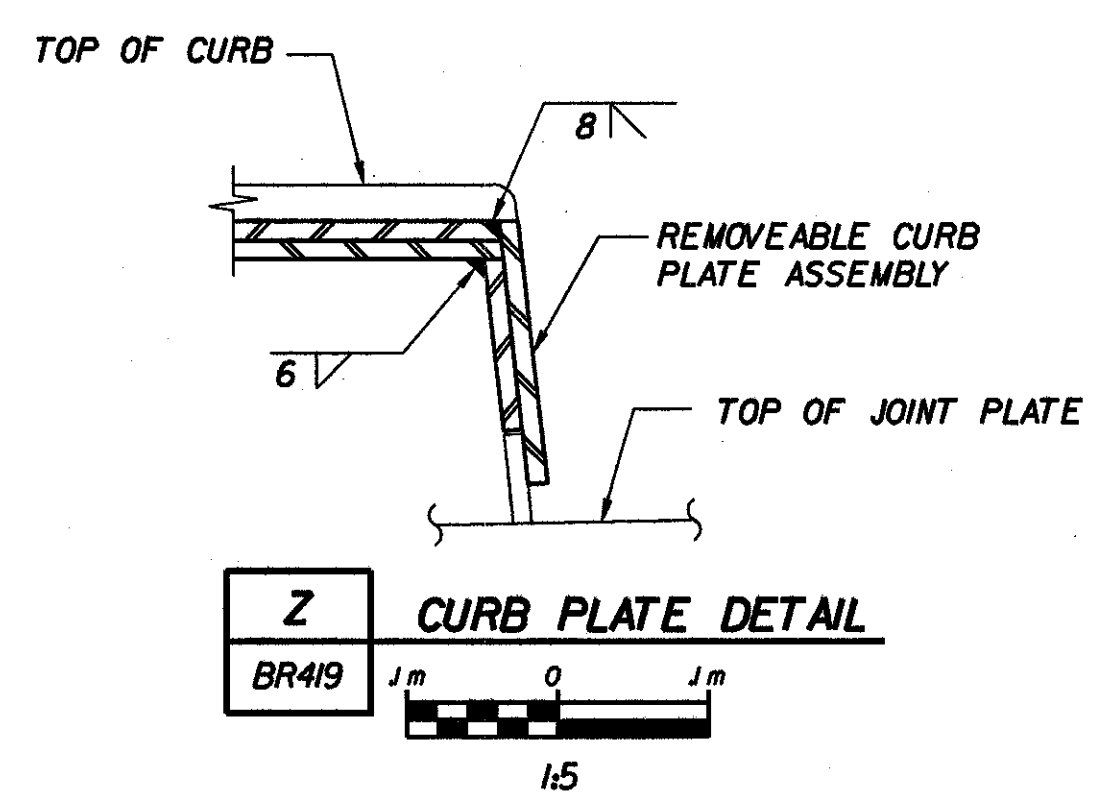
A JOINT SECTION (MIRRORED)
BR419
Scale: 1:10



Y DRIP BEAD DETAIL
BR419 N.T.S.

A DRIP BEAD OF POLYURETHANE JOINT SEALER IS TO BE APPLIED TO THE UNDERSIDE OF THE FABRIC TROUGH AS SHOWN, WITH THE COST TO BE SUBSIDIARY TO THE ITEM 516JO "BRIDGE EXPANSION JOINT".

NOTE:
1. ADJUST SPACING OF 22 mm DIA. HOLES, WELDED STUDS, AND CLOSED THREADED FERRULES FOR CLEARANCE IN AREAS OF BRACKETS.



Z CURB PLATE DETAIL
BR419
Scale: 1:5

STATE OF VERMONT AGENCY OF TRANSPORTATION	
Town Of BENNINGTON	Bridge No. BR400
Highway No. VT, RTE. 9	Log Sta. 14+140
VT, RTE. 9 OVER AIRPORT BROOK WEST	
BRIDGE JOINT DETAILS-1	
Designed By P. PERKINS	Drawn by B. WEATHERBY/D. ADDARIO
Checked By M. OLSTAD 11/01	Bridge Design Supervisor M. OLSTAD Date 11/01
PROJECT BENNINGTON-HOOSICK	PROJECT NO. D.P.J. 0146(1)
I.G.C. Info.	
Bridge Sheet No. BR419	Sheet 208 OF 473