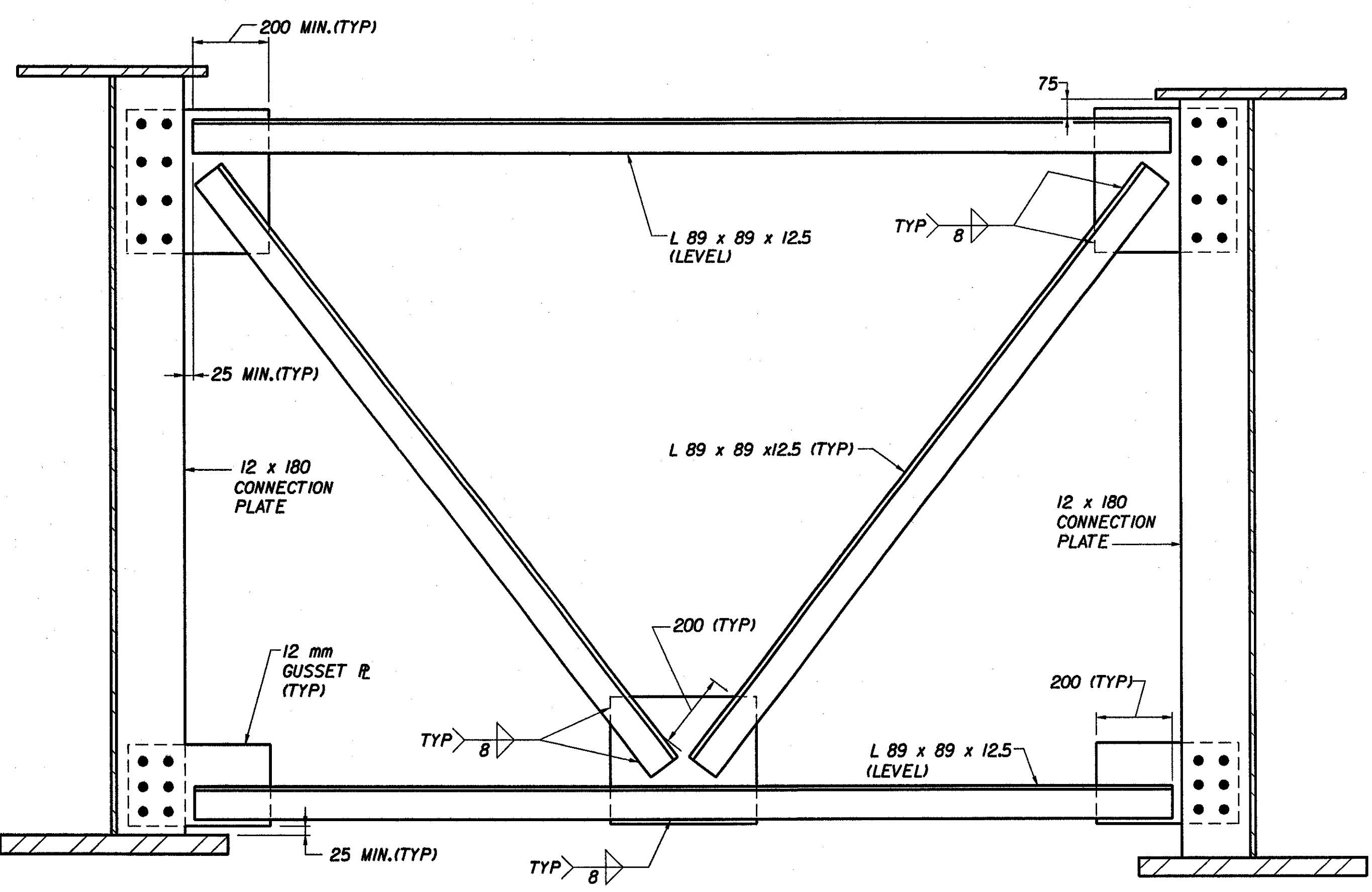
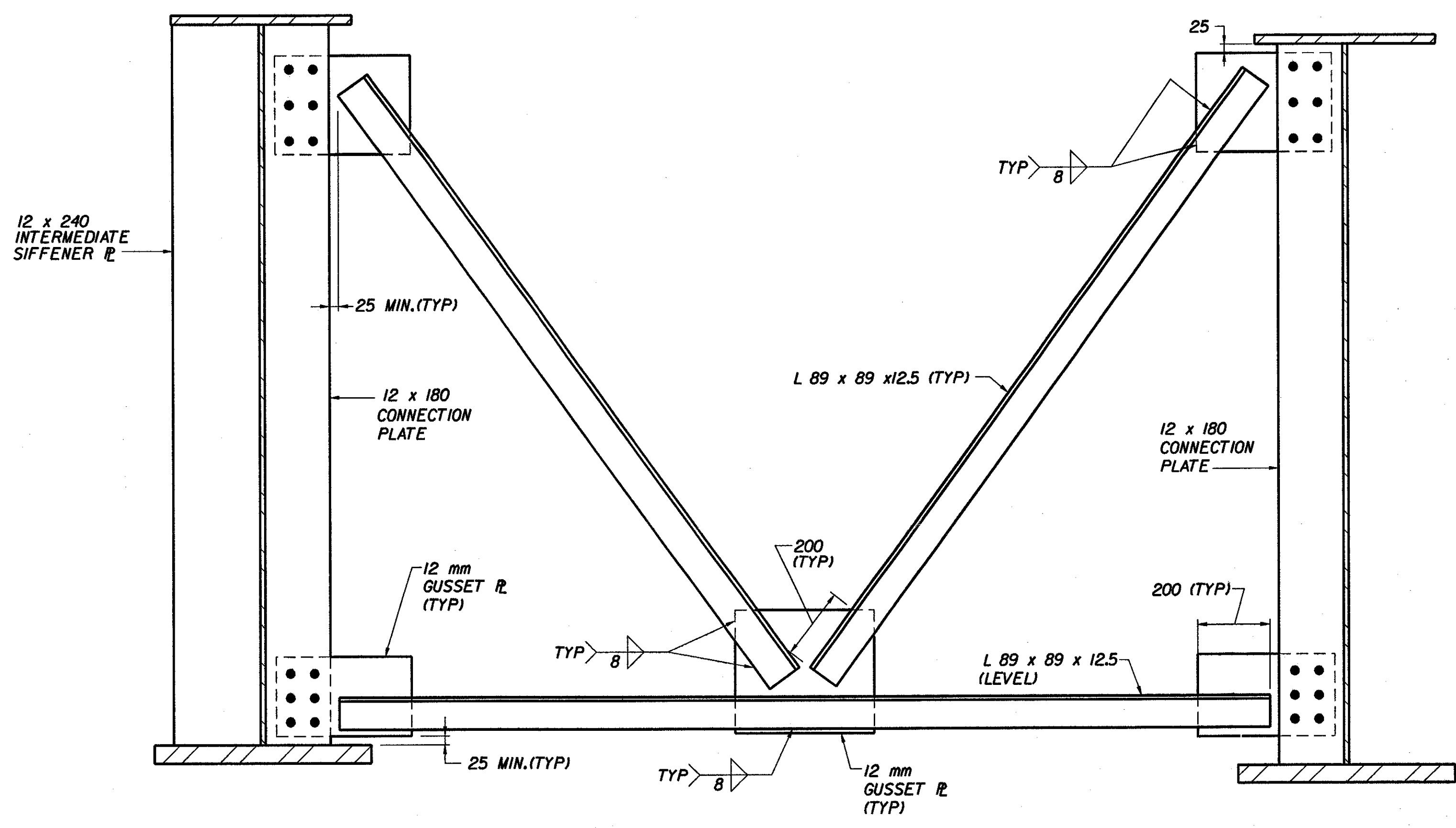


**ABUTMENT CROSSFRAME**  
2 m 0 2 m  
1:10



**INTERMEDIATE CROSSFRAME (EXTERIOR BAY)**  
2 m 0 2 m  
1:10



**INTERMEDIATE CROSSFRAME (INTERIOR BAYS)**  
2 m 0 2 m  
1:10

**NOTE:**  
ALL CONNECTIONS SHALL BE MADE USING M22 DIAMETER AASHTO M164M BOLTS. ALL HOLES IN THE CONNECTION PLATES SHALL BE 24 mm DIAMETER.

**STATE OF VERMONT  
AGENCY OF TRANSPORTATION**

Town Of	BENNINGTON	Bridge No.	BR400
Highway No.	VT. RTE. 9	Log Sta.	
		Surv. Sta.	14+140
VT. RTE. 9 OVER AIRPORT BROOK WEST			
<b>CROSSFRAME DETAILS</b>			
Designed By	M. GOGUEN	Drawn by	B. WEATHERBY/K. DETRICK
Checked By	Date	Bridge Design Supervisor	
	P. PERKINS 11/01	M. OLSTAD	Date 11/01
PROJECT	BENNINGTON-HOOSICK	PROJECT NO.	D.P.L. 0146(1)
I.G.C. Info.		Bridge Sheet No.	BR414
			Sheet 203 OF 473