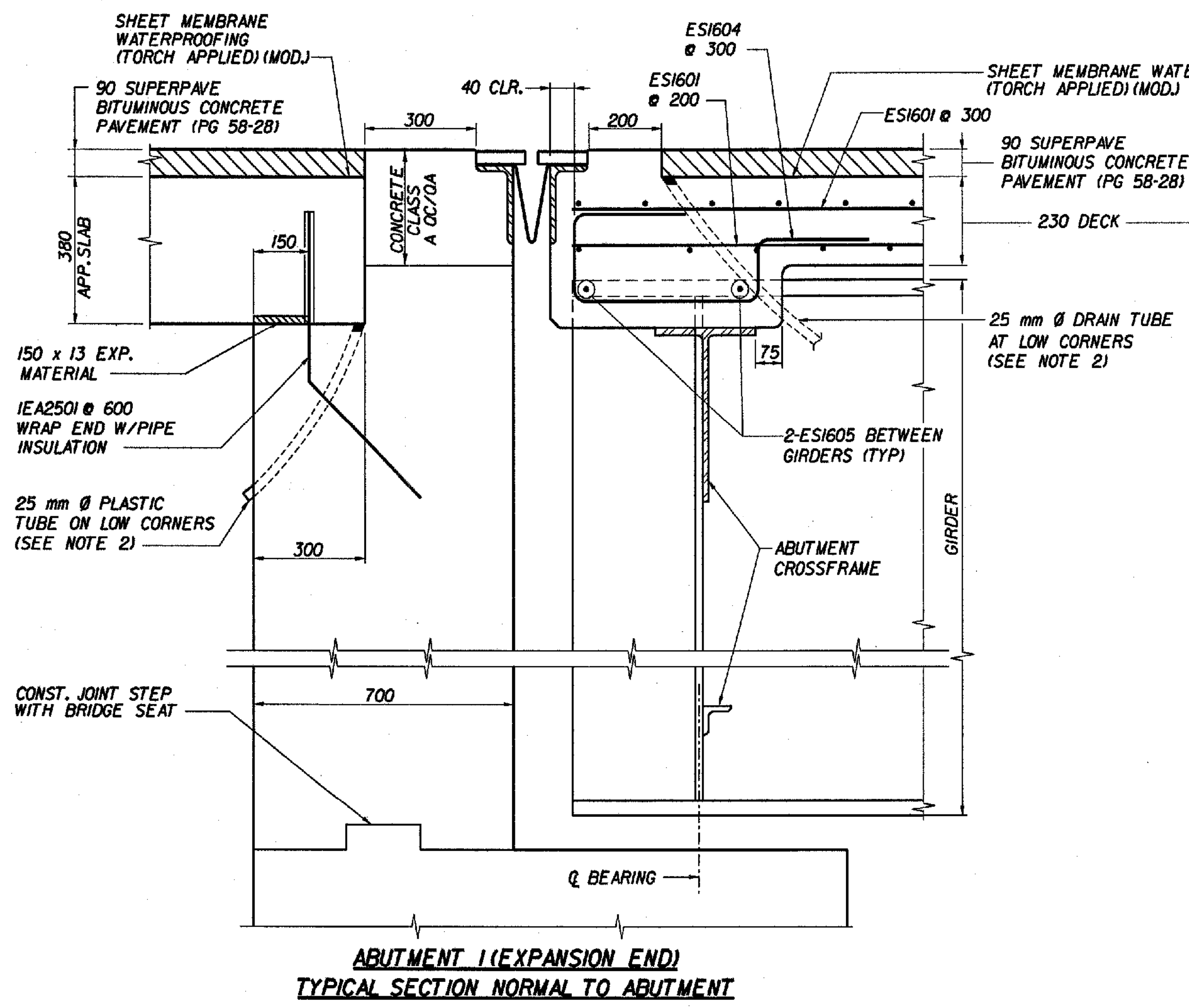
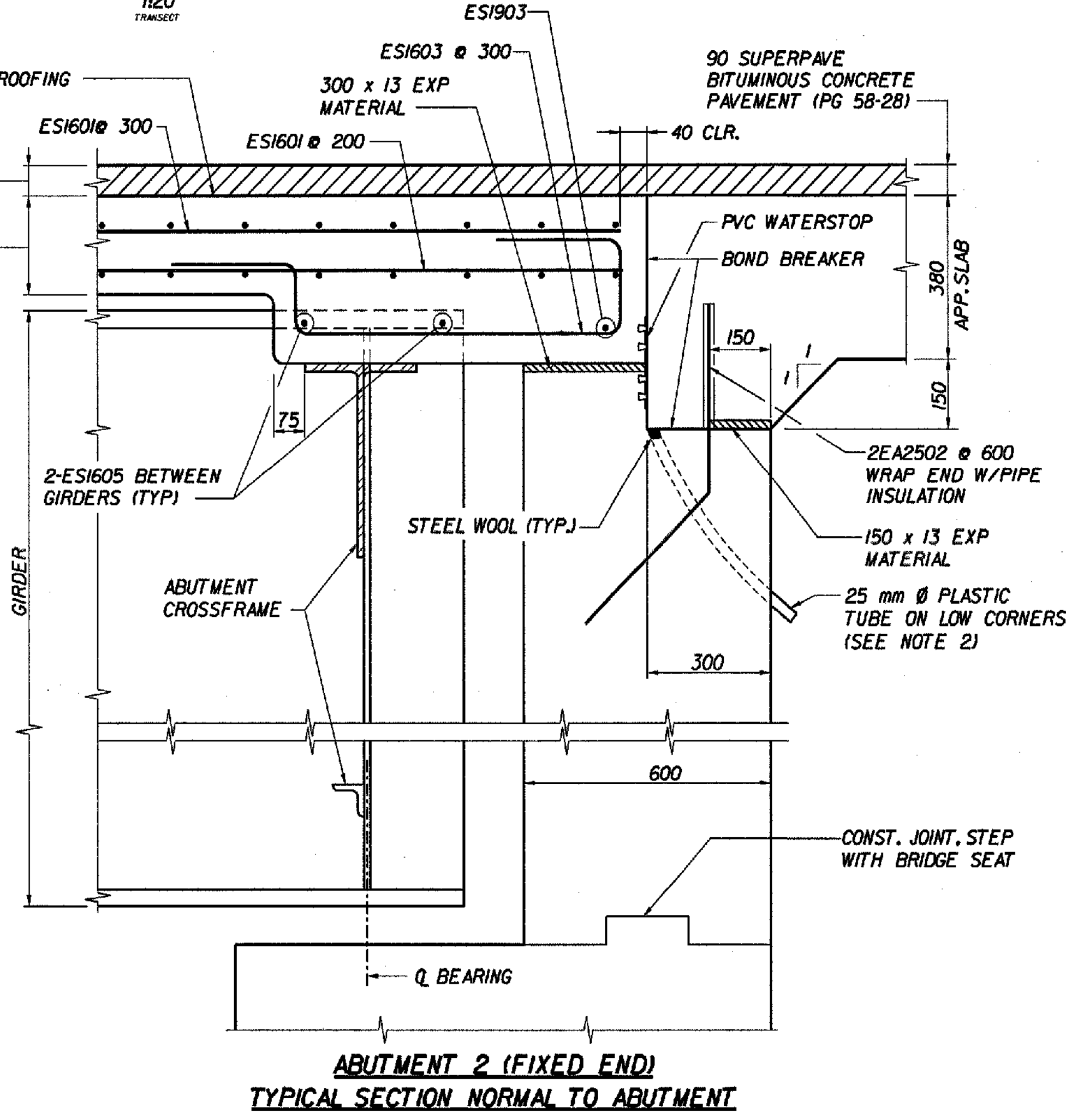


TYPICAL BRIDGE SECTION



**ABUTMENT 1 (EXPANSION END)
TYPICAL SECTION NORMAL TO ABUTMENT**



**ABUTMENT 2 (FIXED END)
TYPICAL SECTION NORMAL TO ABUTMENT**



NOTES:

1. ALL SUPERSTRUCTURE REINFORCING STEEL SHALL BE EPOXY COATED.
2. THE COST OF 25 mm DIA. PLASTIC TUBE IS SUBSIDIARY TO ITEM 501.221. CONCRETE CLASS A 0C/0A. CARE SHALL BE TAKEN TO KEEP TUBE CLEAR DURING CONSTRUCTION. THE TOP OF THE DRAIN TUBES SHALL BE TEMPORARILY PLUGGED WITH STEEL WOOL AND RECESSED 6 mm BELOW THE TOP OF THE CONCRETE AND THE BOTTOM LOCATED 150 mm BELOW THE BOTTOM FLANGE OF THE NEAREST GIRDER (LOW SIDE OF BRIDGE). THE TOP OF THE PLASTIC TUBE SHALL BE DRILLED OPEN AFTER CONCRETE PLACEMENT. THE DRAIN TUBES SHALL BE FASTENED TO THE GIRDERS USING A METHOD APPROVED BY THE ENGINEER. PLASTIC TUBING WILL MEET THE REQUIREMENTS OF SUBSECTION 7400-PLASTIC PIPE, FLEXIBLE.
3. FOR HEADER AND EXPANSION JOINT DETAILS, SEE SHTS. BR419 - BR422.
4. FOR APPROACH SLAB REINFORCEMENT AND BACKWALL DOWELS, SEE SHT. BR423.
5. FOR ABUTMENT REINFORCING SEE SHTS. BR425 - BR430.
6. SEE TYPICAL CURB SECTION, SHT. BR424.
7. SEE WATERSTOP DETAIL ON SHT. BR423.

*REINFORCING COVER JFW 2/2/06
*TRANSVERSE DECK REINFORCING BAR LENGTH WAS CHANGED BY CHA LETTER DATED 5/8/03. JFW 2/2/06

STATE OF VERMONT AGENCY OF TRANSPORTATION			
Town Of	BENNINGTON	Bridge No.	BR400
Highway No.	VT. RTE. 9	Log Sta.	
		Surv. Sta.	14+140
VT. RTE. 9 OVER AIRPORT BROOK WEST			
TYPICAL BRIDGE SECTION			
Designed By	M. GOGUEN	Drawn by	B. WEATHERBY
Checked By	Date	Bridge Design Supervisor	Date
	P. PERKINS 11/01	M. OLSTAD	11/01
PROJECT	BENNINGTON-HOOSICK		PROJECT NO. D.P.I. 014611
I.G.C. Info.			
Bridge Sheet No.	BR411		Sheet 200 OF 473

CHA CLOUGH, HARBOUR & ASSOCIATES LLP
ENGINEERS, SURVEYORS, PLANNERS & LANDSCAPE ARCHITECTS
11 WILSON DRIVE ALBANY, NEW YORK, 12208

FILE NAME: s:\3572\15 br-400\tr-ansh.cpl
DATE: 11/2/06
USER: BJS