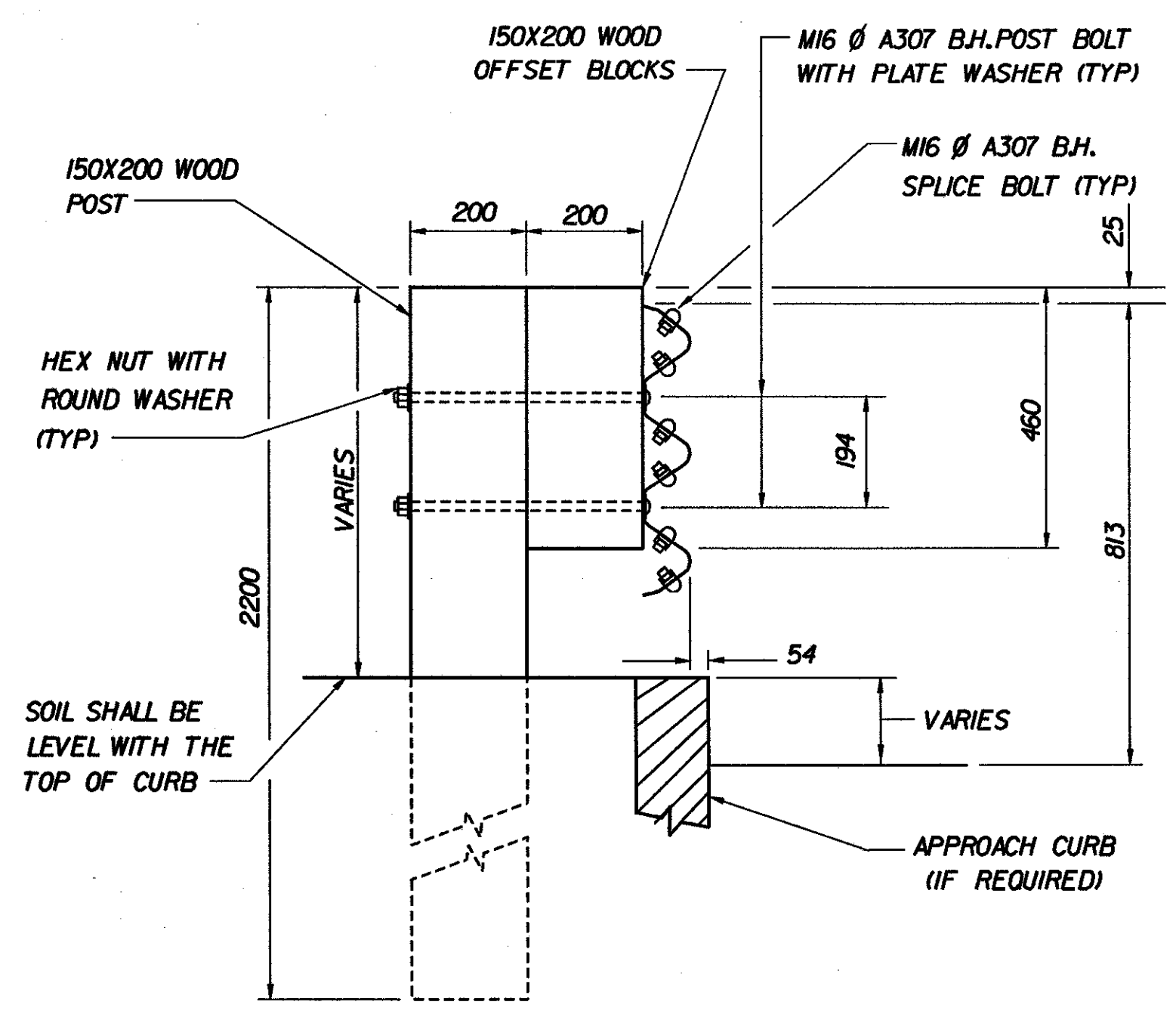
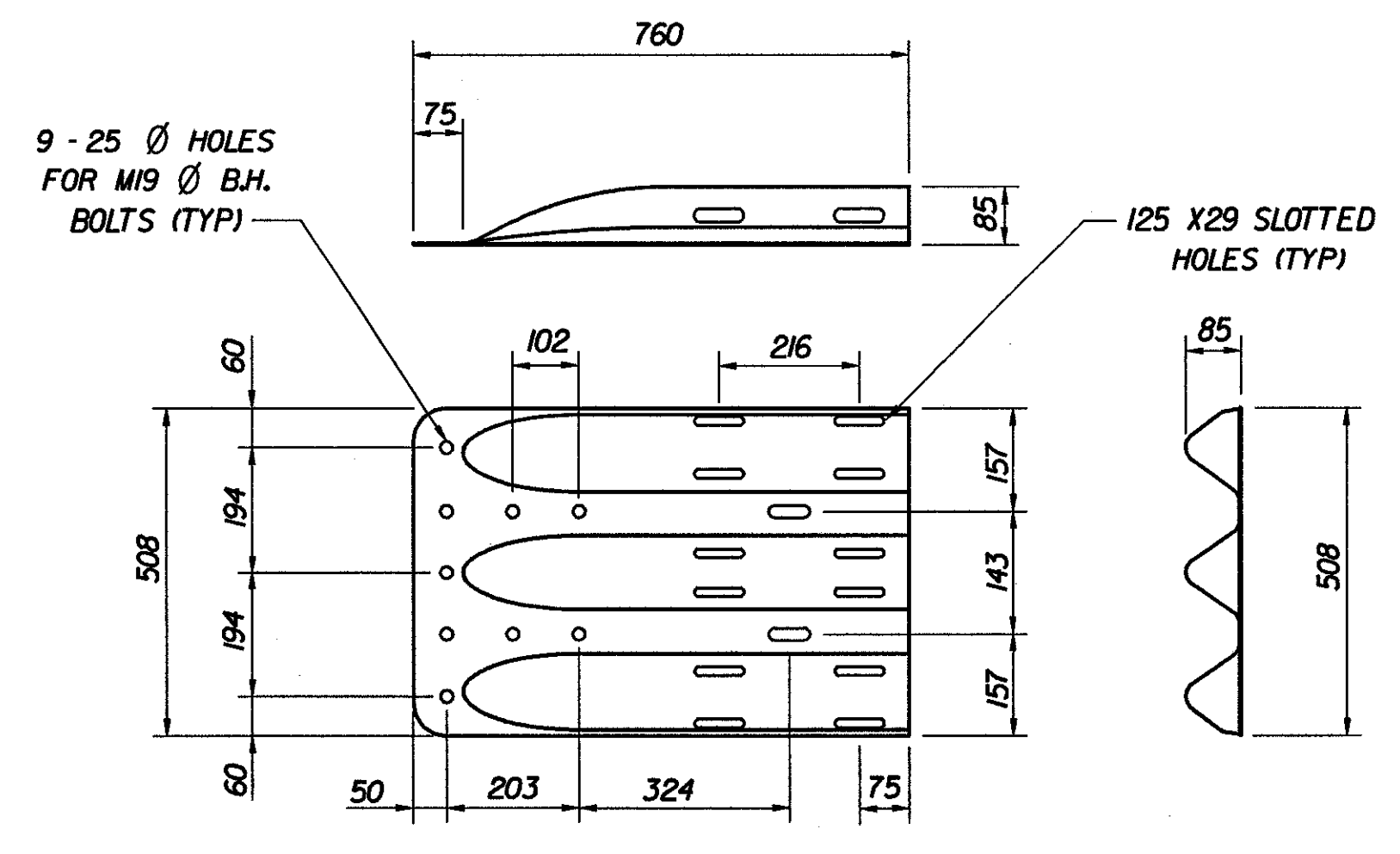


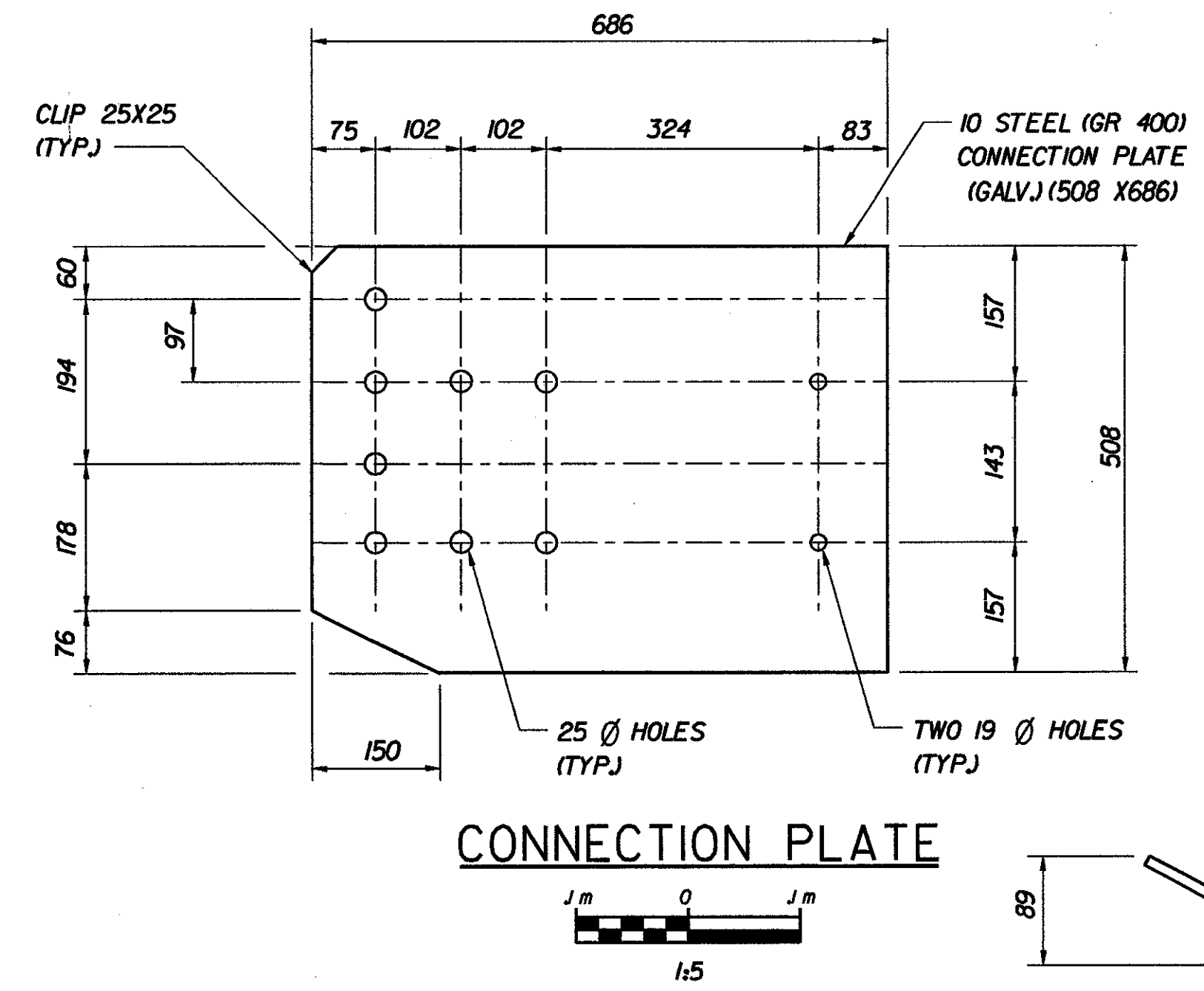
NOTE:
UNLESS NOTED OTHERWISE, ALL STATIONS ARE IN KILOMETERS, ALL ELEVATIONS ARE IN METERS, AND ALL DIMENSIONS ARE IN MILLIMETERS.



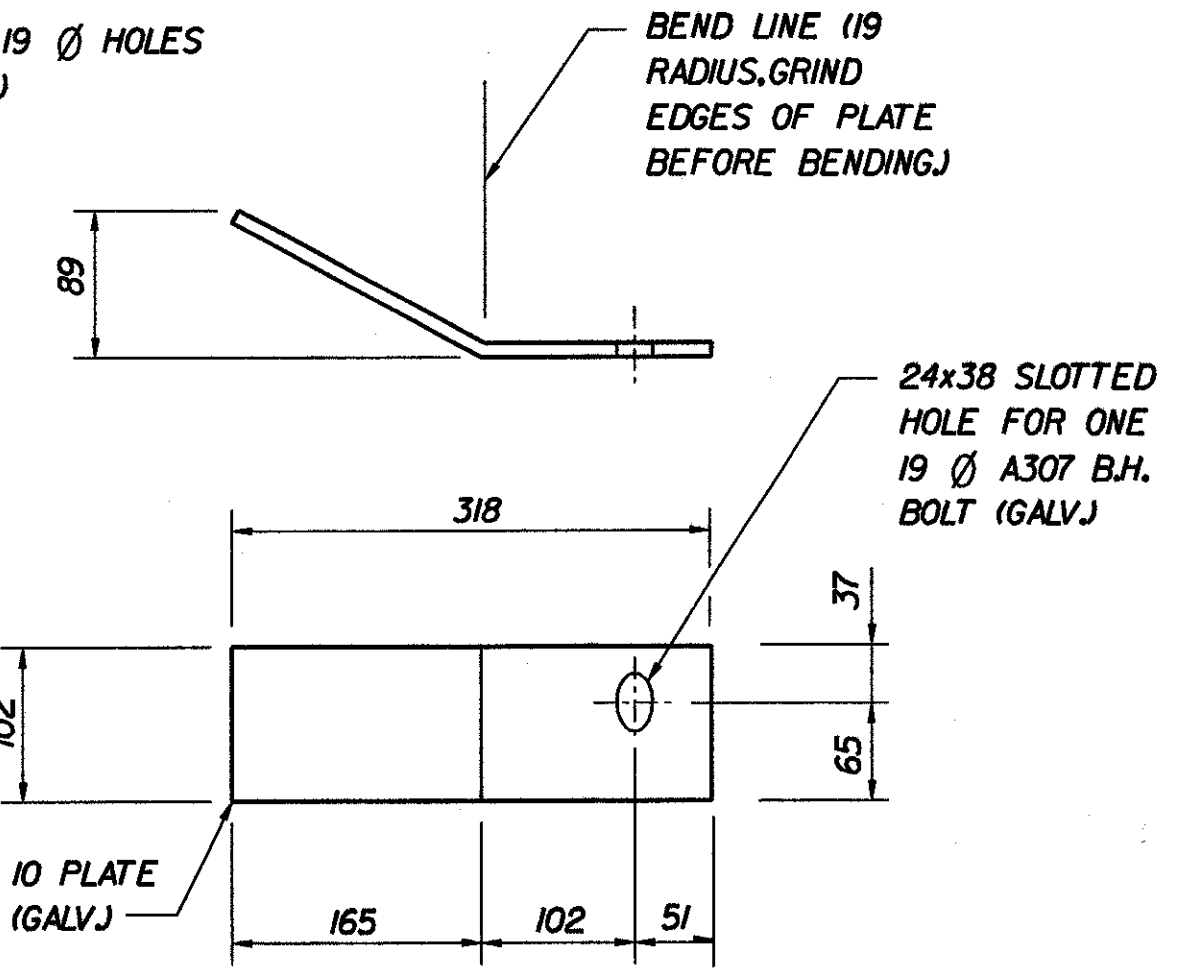
B POST RAIL ASSEMBLY
MD-3
1:10



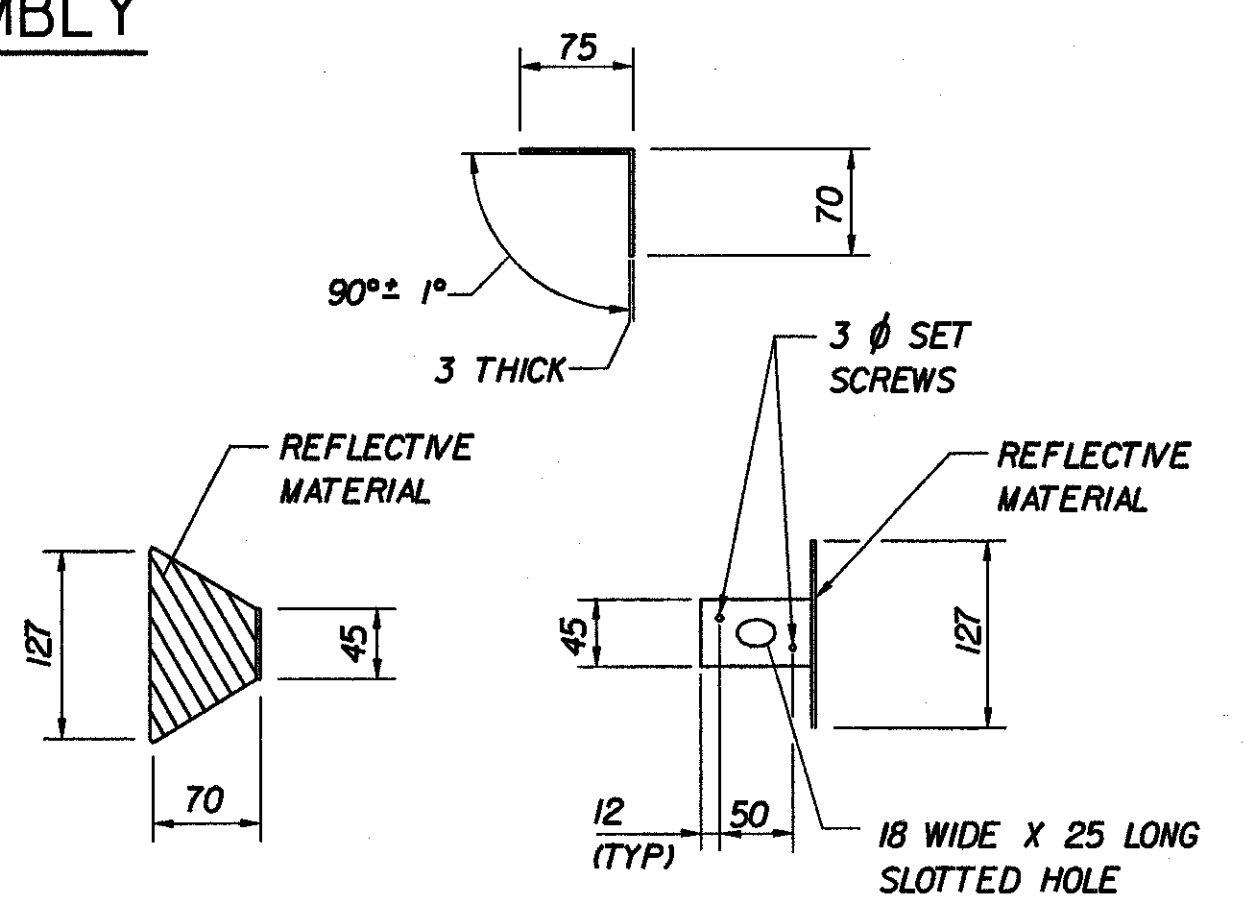
THREE-BEAM TERMINAL CONNECTOR
1:10



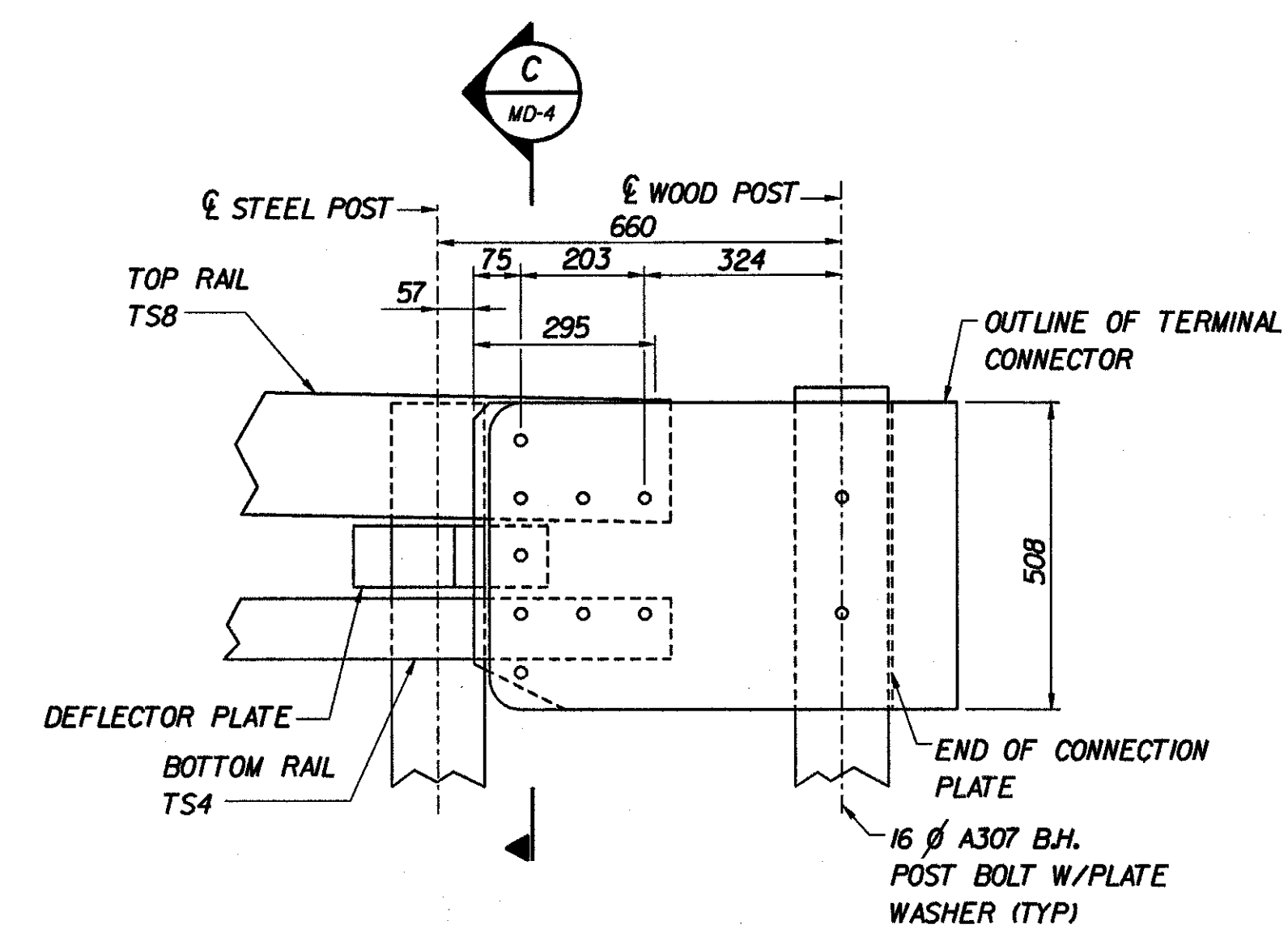
CONNECTION PLATE
1:5



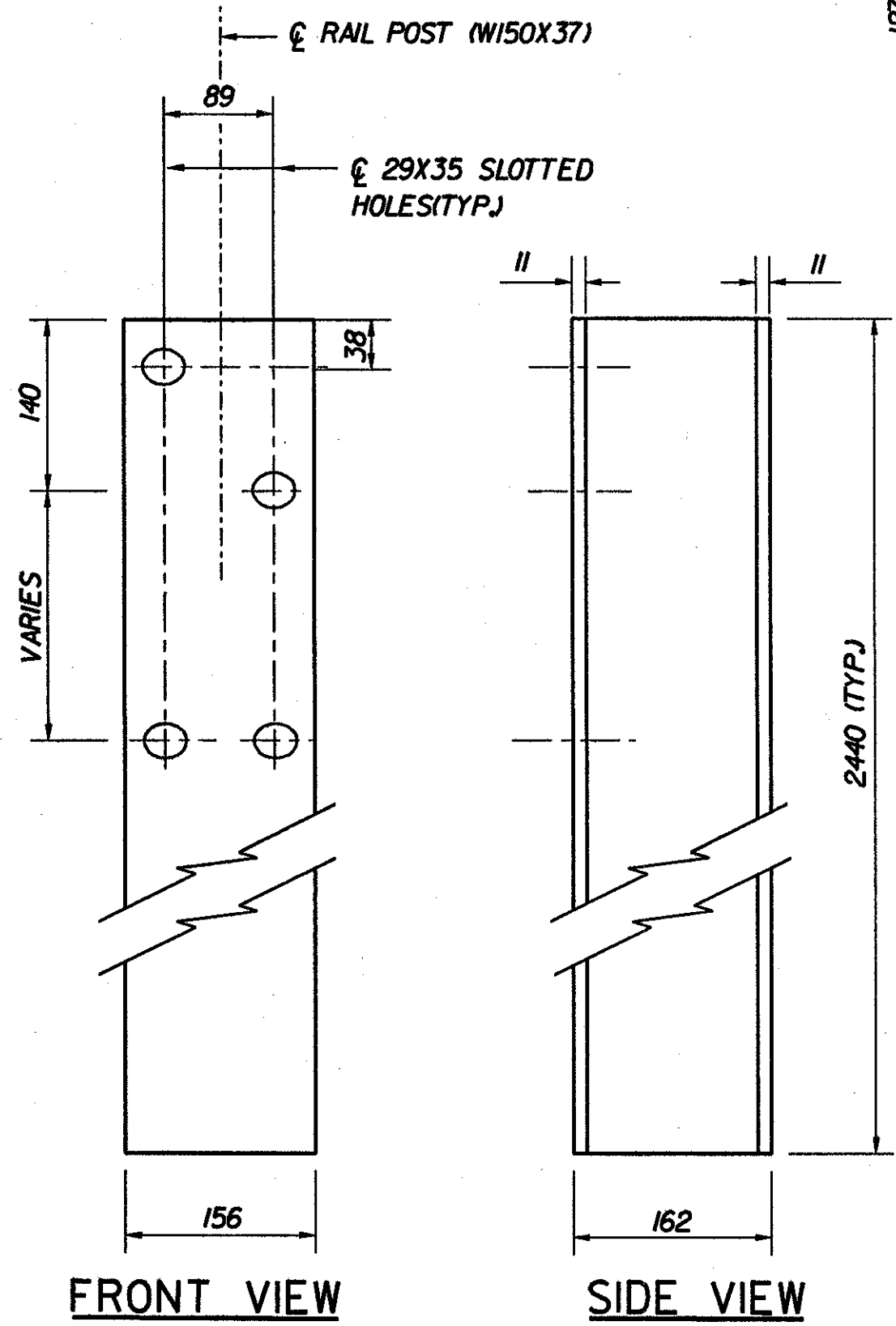
DEFLECTOR PLATE DETAIL
1:5



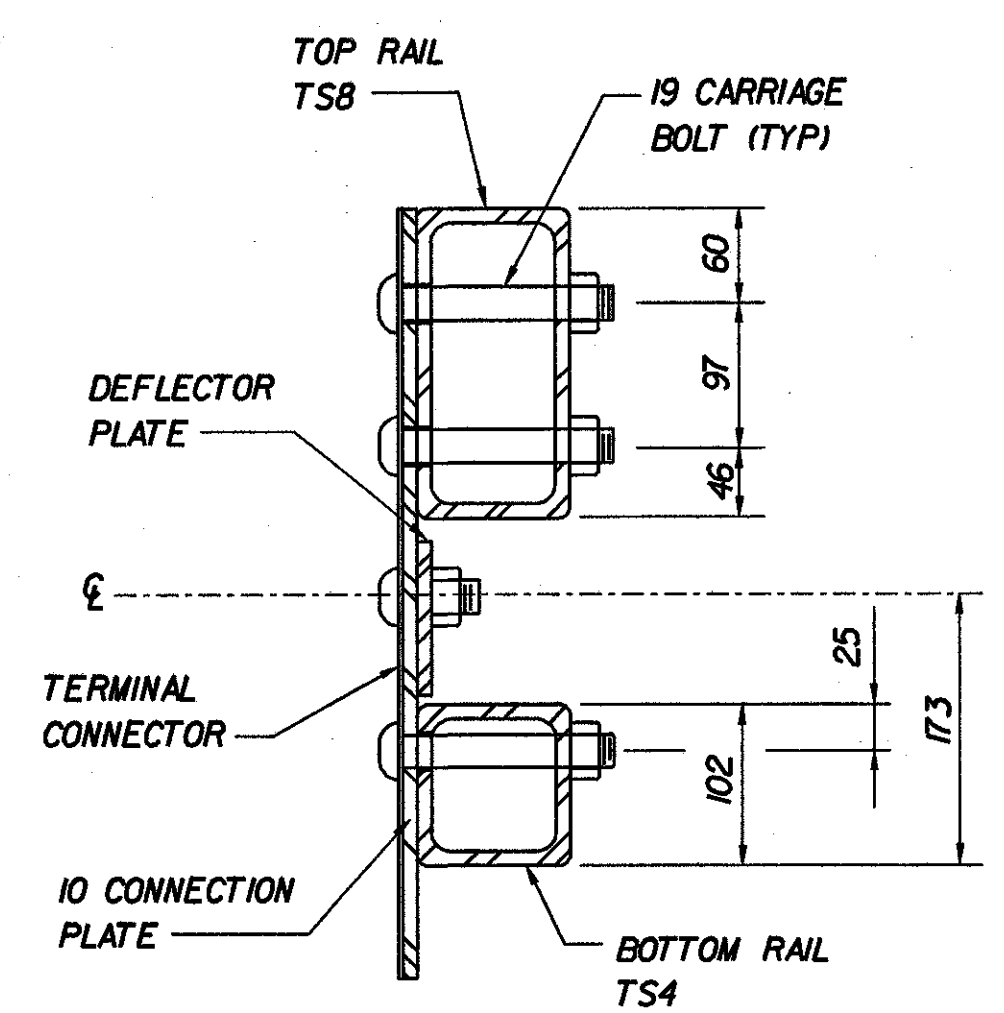
DELINEATION DEVICE DETAILS
1:5



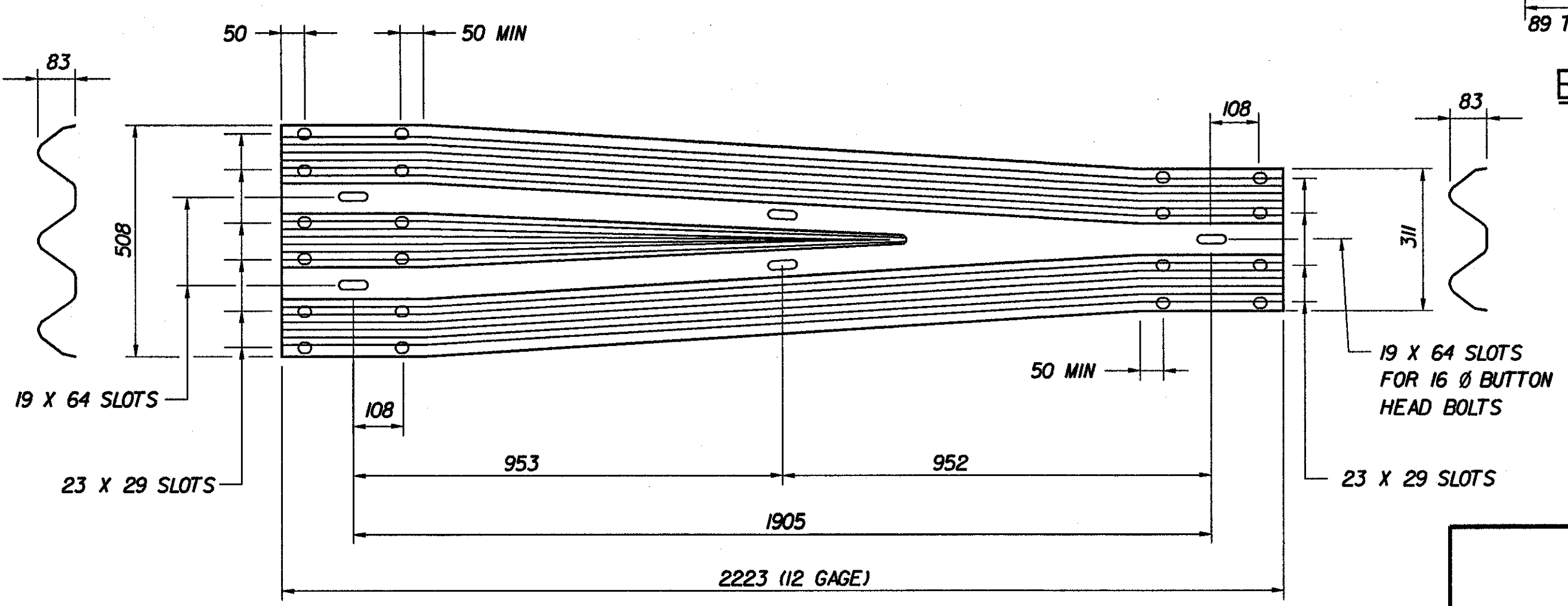
DETAIL A
1:10



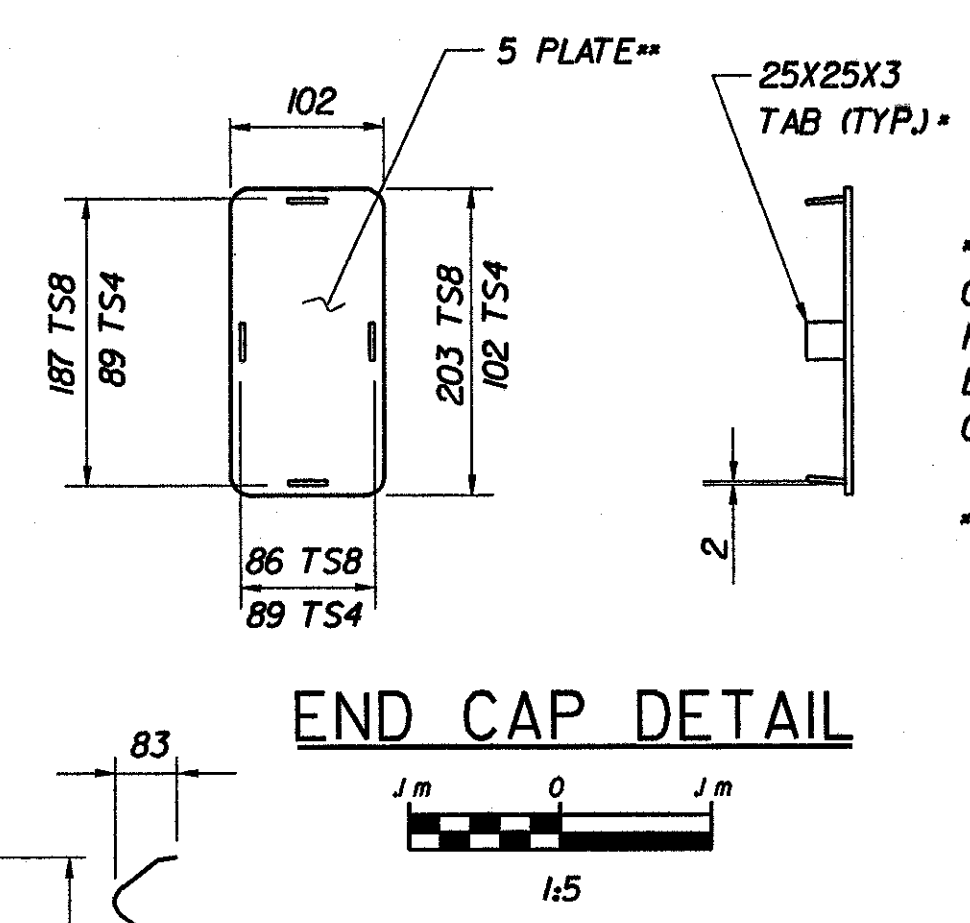
RAIL POST
1:5



C CONNECTION PLATE
MD-4
1:5



THREE-BEAM RO HDSB TRANSITION SECTION
1:10



END CAP DETAIL
1:5

FILE NAME = \\5116\VAOT\CONTRACT3\br2.dgn
DATE/TIME = 10/11/2001
USER = 664

DATUM	
VERTICAL	NAVD 88
HORIZONTAL	NAD 83 (1992)

APPROACH RAIL NETC 2 RAIL	SURVEYED BY C.H.A. & V.S.E. DATE 12/93
	DESIGNED BY A.M. DATE 11/01
	DRAWN BY K.H.D. DATE 11/01
	CHECKED BY P.P. DATE 11/01
	DESIGN FILE NO. /5116/VAOT/C3/BR2
	PROJ. NAME BENNINGTON - HOOSICK D.P.I. 0146(I)
	PROJ. NO. P.I.N. 1306.60
	DWG No. MD-4 SHEET 178 OF 473