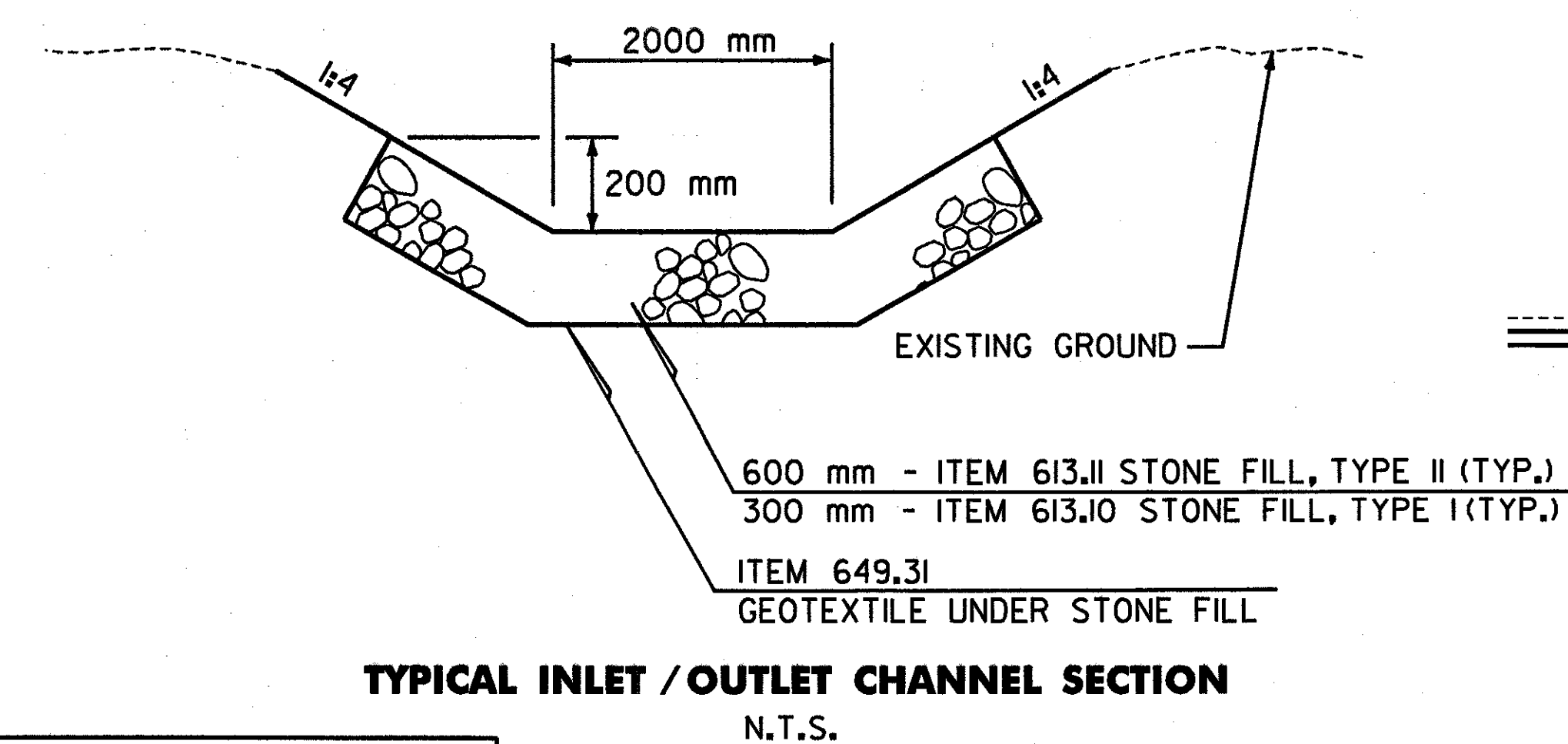
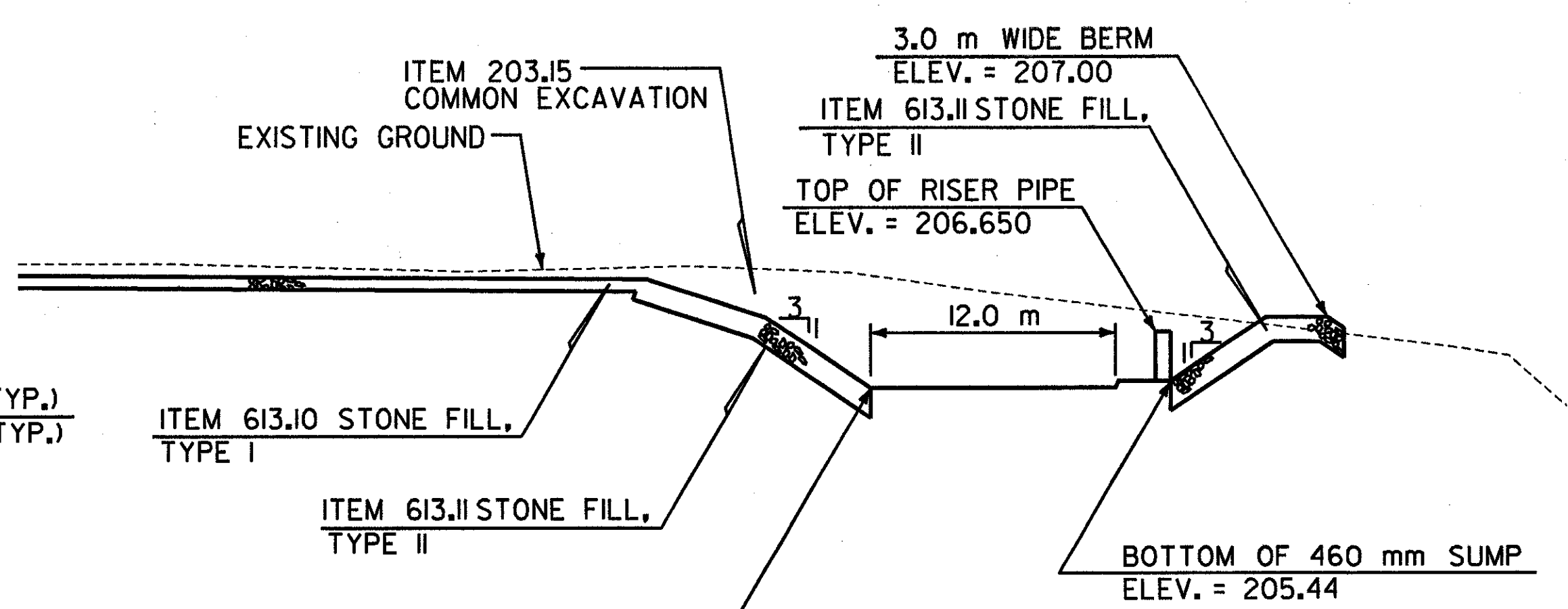


**PERMANENT SEDIMENT BASIN @ STA. 14+850 RT**  
 SCALE 1:250  
 @ FULL SIZE



**TYPICAL INLET / OUTLET CHANNEL SECTION**  
 N.T.S.



**BASIN PROFILE**  
 N.T.S.

NOTE:  
 1. ITEM 649.31 GEOTEXTILE UNDER STONE FILL SHALL BE PLACED ACROSS THE PROPOSED BASIN BOTTOM AND UNDER THE PROPOSED STONE FILL.

XXX.XX DENOTES PROPOSED CHANNEL INVERT

**EROSION CONTROL DETAILS**

SURVEYED BY	C.H.A. & V.S.E.	DATE	12/93
DESIGNED BY	D.E.G.	DATE	11/01
DRAWN BY	J.S.L.	DATE	11/01
CHECKED BY	T.P.K.	DATE	11/01
DESIGN FILE NO.	/5116/VAOT/CON3/VTEC-7		
PROJ. NAME	BENNINGTON - HOOSICK D.P.I. 0146(1) C/3		
PROJ. NO.	P.I.N. 1306.60		
DWG NO. EC-7	SHEET 142 OF 473		

FILE NAME = u:\5116\VAOT\CONTRACT3\vttec-7.dgn  
 DATE/TIME = 10/11/2001  
 USER = 664

DATUM	
VERTICAL	NAVD 88
HORIZONTAL	NAD 83 (1992)