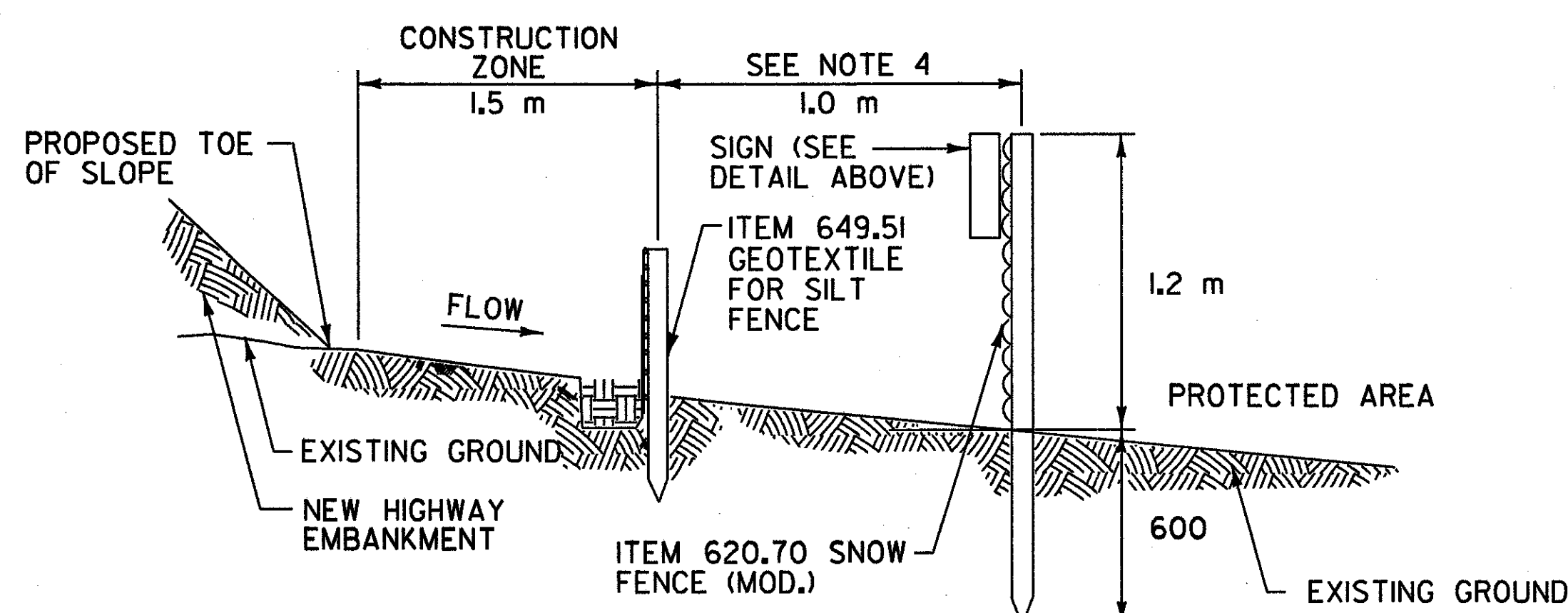
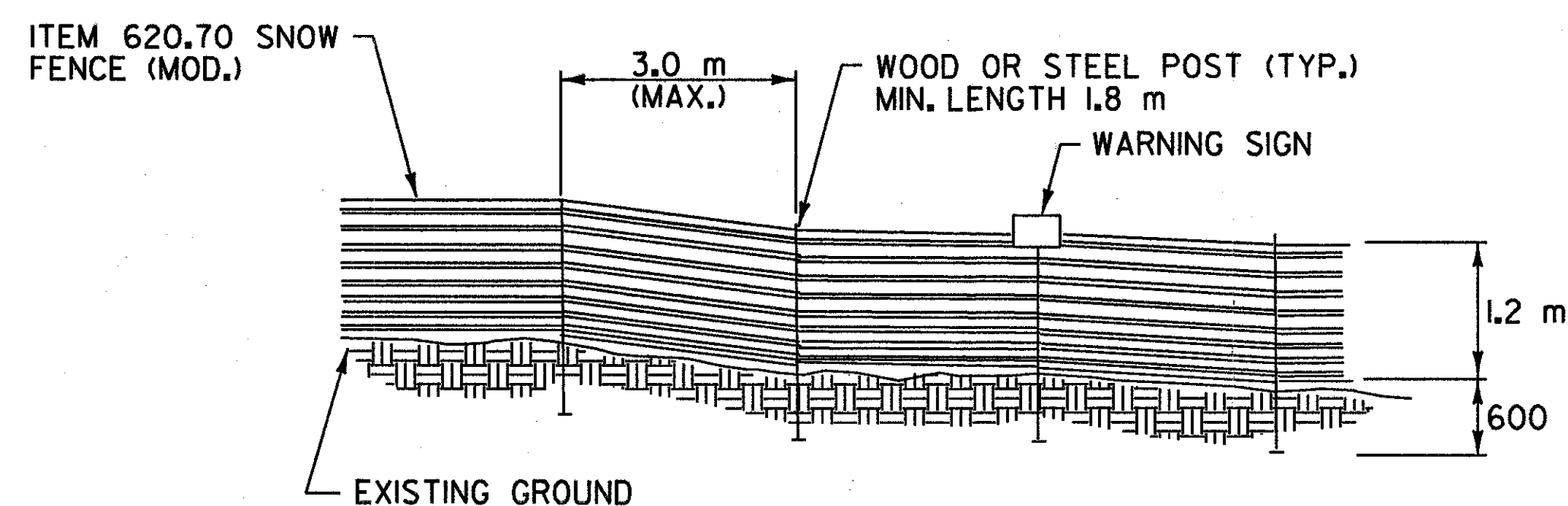


WARNING SIGN DETAIL



SECTION



ELEVATION

NOTES:

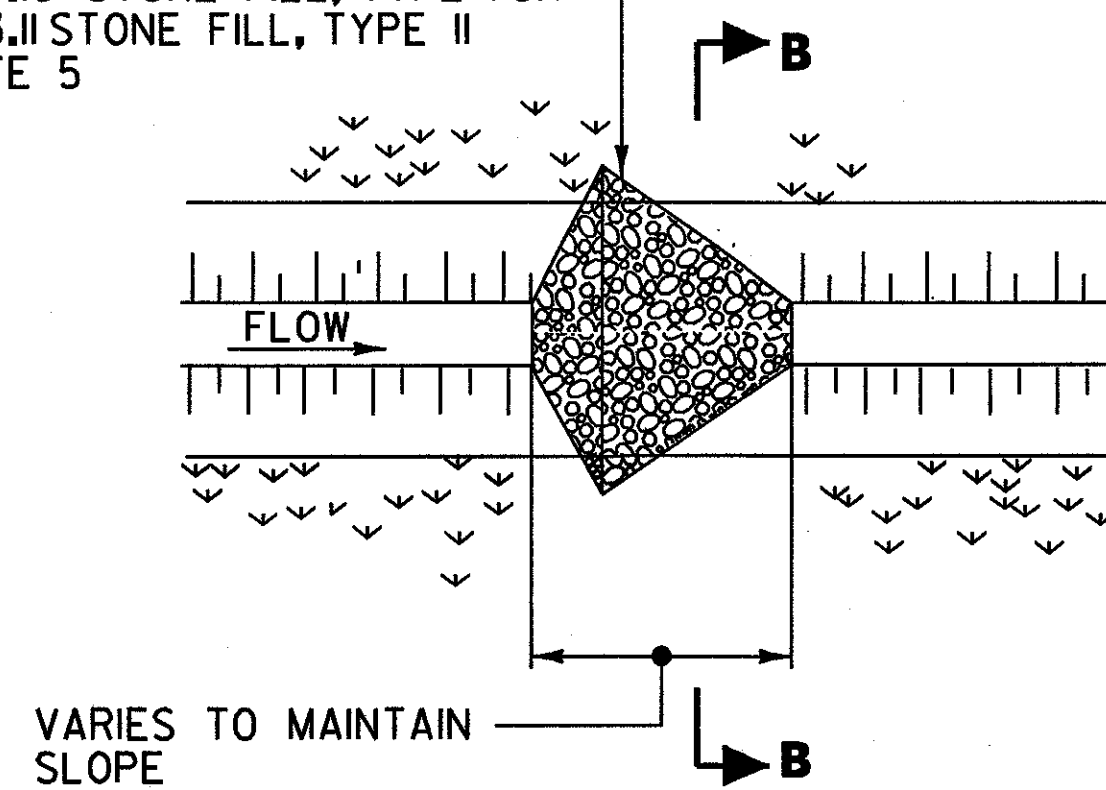
- WARNING SIGNS SHALL BE MOUNTED AS REQUIRED BY THE RESIDENT ENGINEER AT INTERVALS NOT TO EXCEED 30 m.
- ITEM 620.70 SNOW FENCE (MOD.) SHALL BE INSTALLED IN THE LOCATIONS SHOWN ON THE PLANS OR AS DIRECTED BY THE RESIDENT ENGINEER PRIOR TO BEGINNING ANY WORK IN THESE AREAS.
- IN AREAS ADJACENT TO OR WITHIN A WETLAND THE RESIDENT ENGINEER MAY REQUIRE ITEM 620.70 SNOW FENCE (MOD.) TO BE PLACED IN COMBINATION WITH THE SILT FENCE.
- THE RESIDENT ENGINEER MAY EXTEND THE DISTANCE BETWEEN THE PROPOSED TOE OF SLOPE AND SILT FENCE PROVIDING IT DOES NOT TAKE PLACE IN A WETLAND/WATERBODY AND DOES NOT REQUIRE THE REMOVAL OF EXISTING VEGETATION.
- THE CONTRACTOR SHALL INSTALL AT THE BEGINNING OF THE CONTRACT, AND MAINTAIN THROUGHOUT ITS DURATION ITEM 620.70 SNOW FENCE (MOD.) AROUND THE EXISTING WETLAND AREAS/STREAM COURSE AREAS AS SHOWN. THE CONTRACTOR SHALL NOT DISTURB THE FENCED AREAS. THE COST SHALL BE INCLUDED IN THE PRICE BID FOR ITEM 620.70 SNOW FENCE (MOD.).

SNOW FENCE (MOD.)

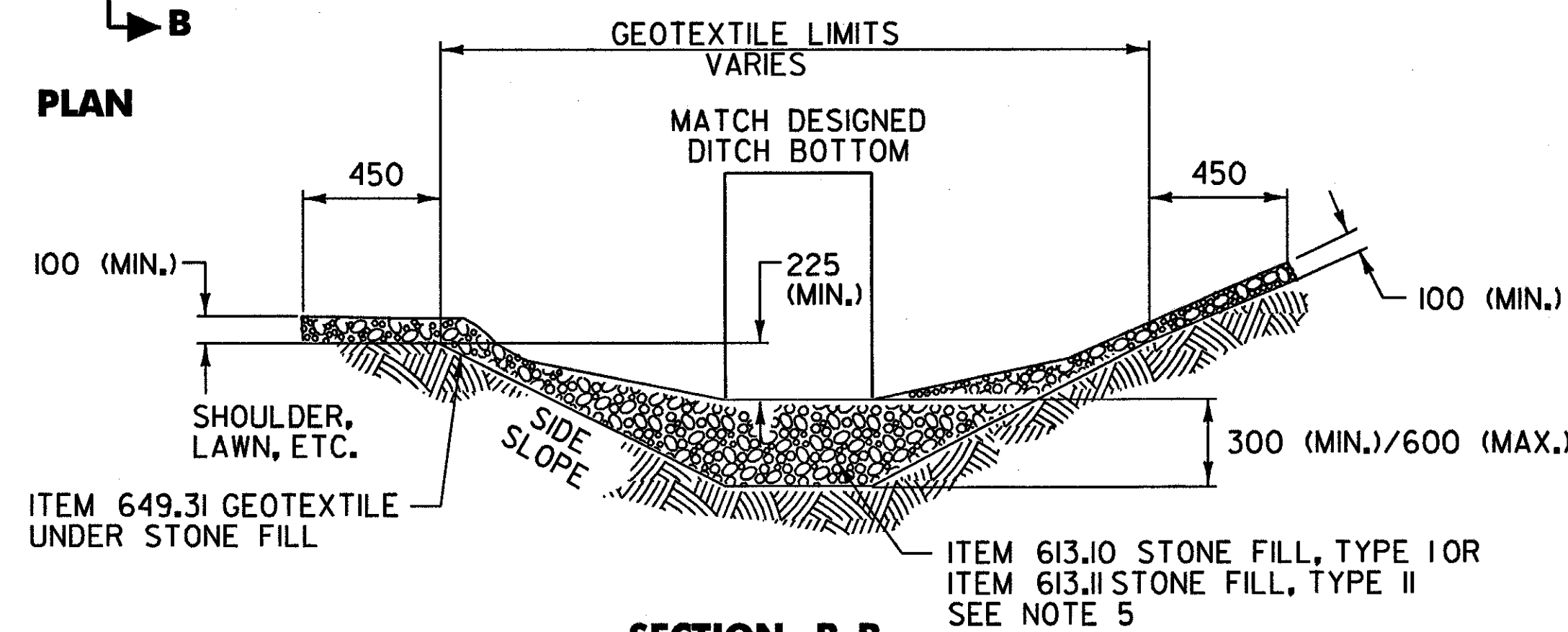
STANDARD SYMBOL



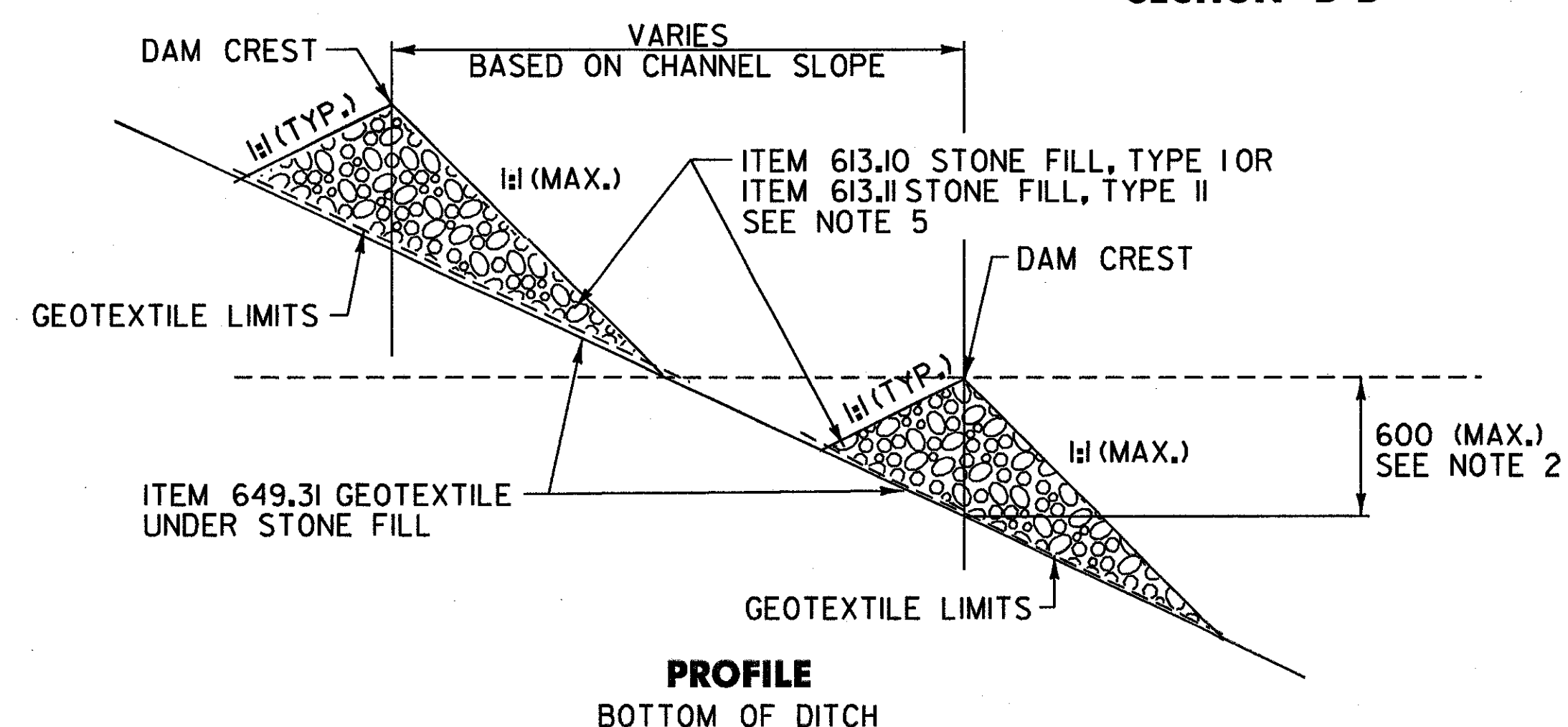
ITEM 613.10 STONE FILL, TYPE I OR
ITEM 613.11 STONE FILL, TYPE II
SEE NOTE 5



PLAN



SECTION B-B



PROFILE

BOTTOM OF DITCH

NOTES:

- MAXIMUM DRAINAGE AREA ABOVE THE CHECK DAM SHALL NOT EXCEED 0.8 HECTARES.
- SET SPACING OF CHECK DAMS TO ENSURE THAT THE ELEVATION OF THE CREST OF THE DOWNSTREAM DAM IS AT THE SAME ELEVATION AS THE TOE OF THE UPSTREAM DAM.
- PROTECT THE CHANNEL DOWNSTREAM OF THE LOWEST DAM FROM SCOUR AND EROSION WITH STONE OR LINER AS APPROPRIATE.
- ENSURE THAT THE CHANNEL APPURTENANCES SUCH AS CULVERT ENTRANCES BELOW CHECK DAMS ARE NOT SUBJECT TO DAMAGE OR BLOCKAGE FROM DISPLACED STONES.
- THE STONE FILL TYPE USED TO CONSTRUCT STONE CHECK DAMS SHALL MATCH THE STONE FILL TYPE USED IN THE STONE-LINED DITCH AT THAT LOCATION UNLESS DIRECTED OTHERWISE BY THE RESIDENT ENGINEER. DITCHES LINED WITH STONE FILL, TYPE III OR TYPE IV SHALL UTILIZE STONE CHECK DAMS CONSTRUCTED FROM STONE FILL, TYPE II.

ALL DIMENSIONS IN MILLIMETERS EXCEPT WHERE OTHERWISE INDICATED.

CHECK DAM (STONE)

STANDARD SYMBOL



EROSION CONTROL DETAILS

SURVEYED BY	C.H.A. & V.S.E.	DATE	12/93
DESIGNED BY	D.E.G.	DATE	11/01
DRAWN BY	J.S.L.	DATE	11/01
CHECKED BY	T.P.K.	DATE	11/01
DESIGN FILE NO.	5116/VAOT/VTEC.DGN		
PROJ. NAME	BENNINGTON - HOOSICK D.P.I. 0146(1) C/3		
PROJ. NO.	P.I.N. 1306.60		
DWG NO.	EC-3	SHEET	138 OF 473