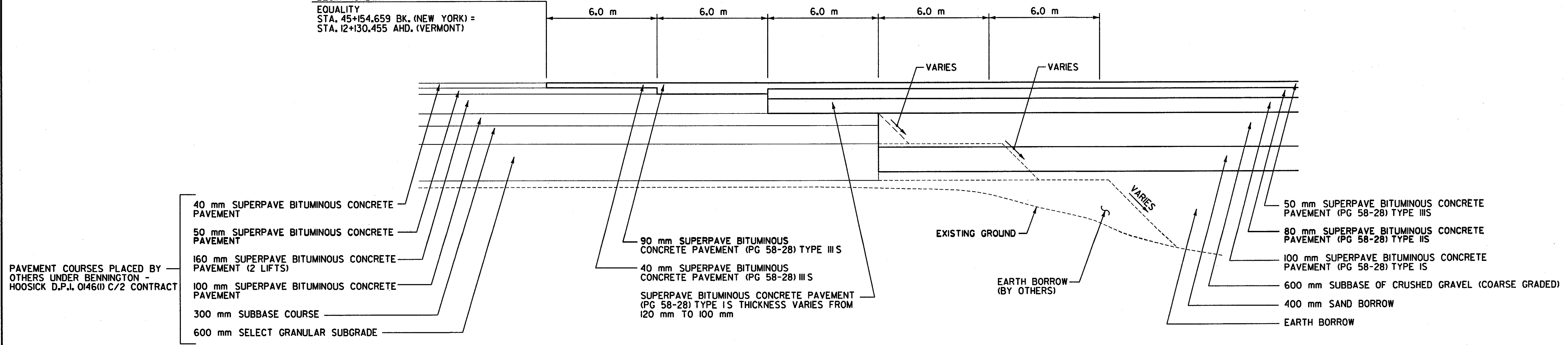


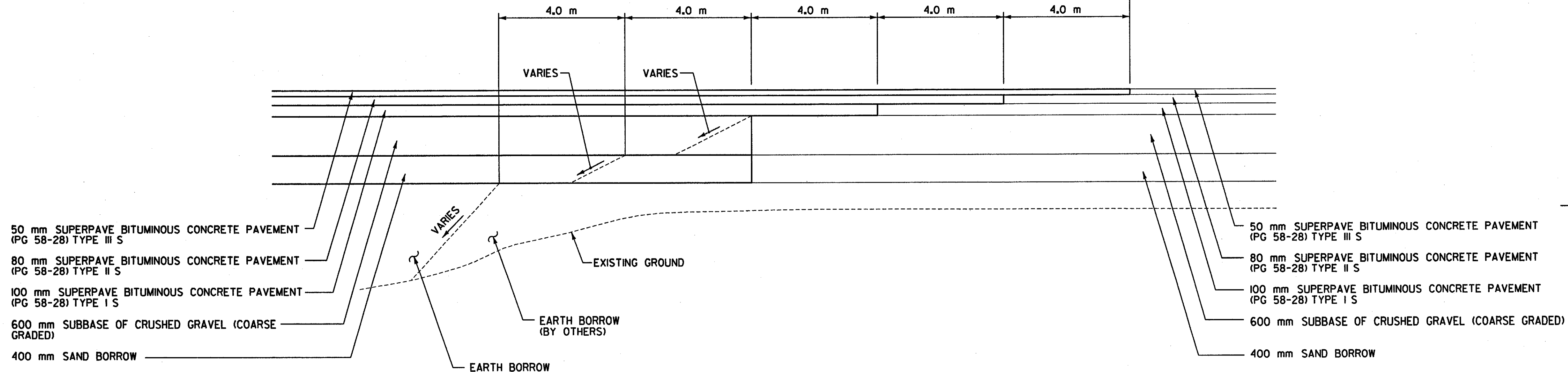
END BENNINGTON - HOOSICK D.P.J. 0146(II) C/2
 BEGIN BENNINGTON - HOOSICK D.P.J. 0146(II) C/3
 BEGIN ROADWAY
 EQUALITY
 STA. 45+154.659 BK. (NEW YORK) =
 STA. 12+130.455 AHD. (VERMONT)



PAVEMENT TERMINATION DETAIL

N.T.S.
 STA. 12+130.455

END ROADWAY
 END BENNINGTON - HOOSICK D.P.J. 0146(II) C/3
 BEGIN BENNINGTON - HOOSICK D.P.J. 0146(II) C/4
 STA. 16+695.000



PAVEMENT TERMINATION DETAIL

N.T.S.
 STA. 16+695.000

PAVEMENT COURSES BEING
 PLACED BY OTHERS UNDER
 BENNINGTON - HOOSICK
 D.P.J. 0146(II) C/4 CONTRACT

FILE NAME = \\15116\VAOT\CONTRACT3\pdt1.dgn
 DATE/TIME = 10/11/2001
 USER = 664

**PAVING
 DETAILS
 SHEET**

SURVEYED BY	C.H.A. & V.S.E.	DATE	12/93
DESIGNED BY	DEG	DATE	11/01
DRAWN BY	T.J.B.	DATE	11/01
CHECKED BY	T.P.K.	DATE	11/01
DESIGN FILE NO.	/5116/VAOT/PTD1.DGN		
PROJ. NAME	BENNINGTON - HOOSICK D.P.J. 0146(II) C/3		
PROJ. NO.	P.I.N. 1306.60		
DWG NO. PDT-1	SHEET 65 OF 473		