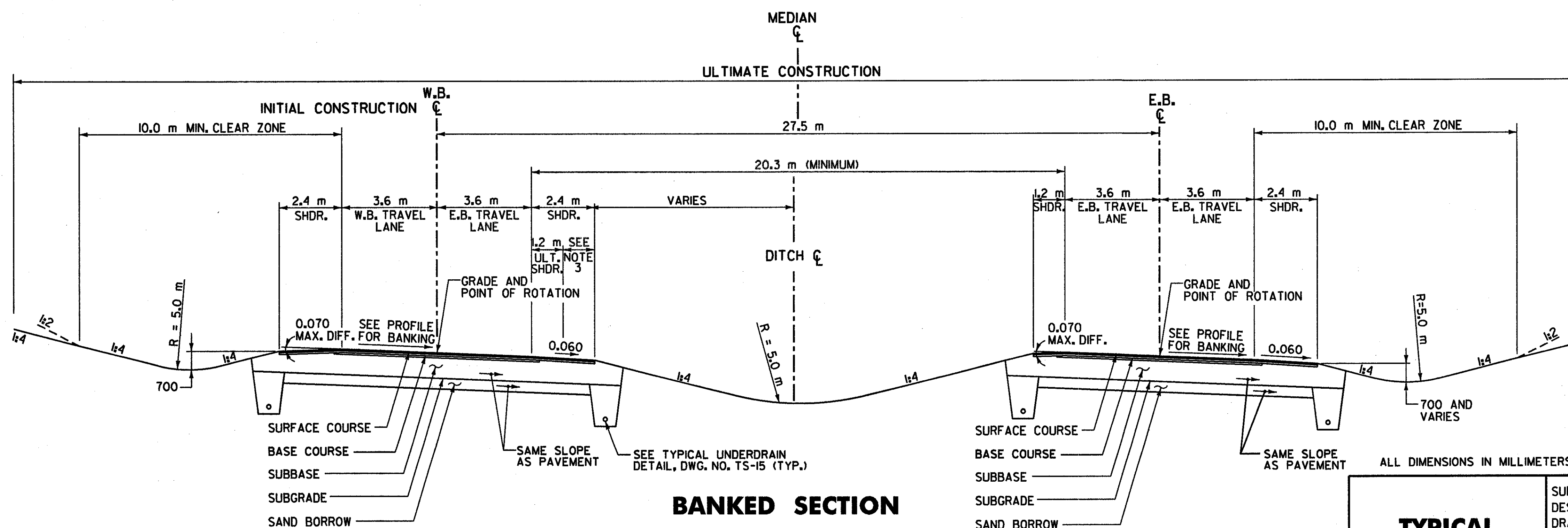
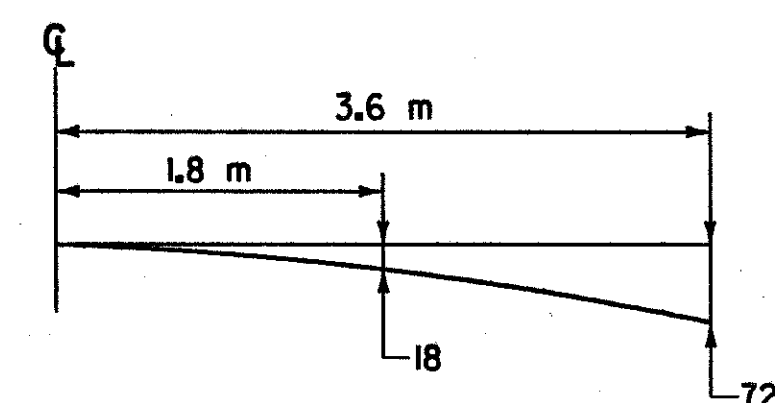
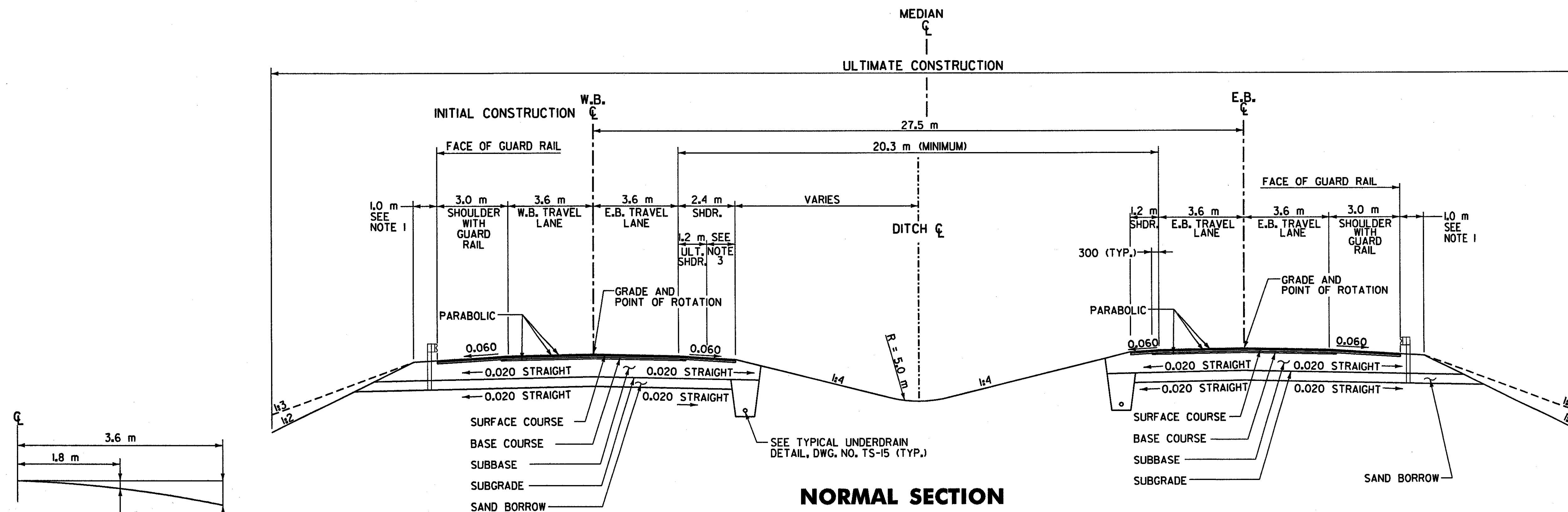


TYPICAL SECTIONS - ULTIMATE CONSTRUCTION

MATERIAL ITEM	THICKNESS TOLERANCE	THICKNESS	DESCRIPTION
PAVEMENT COURSES (TOTAL DEPTH)	± 5	130	SUPERPAVE BITUMINOUS CONCRETE PAVEMENT (PG 58-28) (50 TYPE III S, 80 TYPE II S)
BASE COURSES (TOTAL DEPTH)	± 10	100	BASE COURSE, SUPERPAVE BITUMINOUS CONCRETE (PG 58-28), TYPE I S
SUBBASE	± 30	600	SUBBASE OF CRUSHED GRAVEL (COARSE GRADED)
SAND BORROW	± 30	400	SAND BORROW
SHOULDERS:		130	SUPERPAVE BITUMINOUS CONCRETE PAVEMENT (PG 58-28) (50 TYPE III S, 80 TYPE II S)
		NOTE:	DESIGN FROST DEPTH - 1200

- NOTES:**
- ELIMINATE SEEDING BEHIND GUARDRAIL TO SUBGRADE CATCH POINT.
 - FOR DETAILS OF INITIAL CONSTRUCTION TYPICAL SECTIONS, SEE DWG. NO. TS-3 TO DWG. NO. TS-16.
 - FOR ULTIMATE CONSTRUCTION, REMOVE PAVEMENT AND SEED.



ALL DIMENSIONS IN MILLIMETERS EXCEPT WHERE OTHERWISE INDICATED.

TYPICAL SECTION SHEET		
SURVEYED BY	C.H.A. & V.S.E.	DATE 12/93
DESIGNED BY	D.E.G.	DATE 11/01
DRAWN BY	J.N.	DATE 11/01
CHECKED BY	T.P.K.	DATE 11/01
DESIGN FILE NO.	/5116/VAOT/TS-1.DGN	
PROJ. NAME	BENNINGTON - HOOSICK D.P.I. 0146(1) C/3	
PROJ. NO.	P.I.N. 1306.60	
DWG No. TS-1	SHEET 49 OF 473	

FILE NAME =u:\5116\VAOT\CONTRACT\TS-1.DGN
DATE/TIME =10/11/2001
USER =664