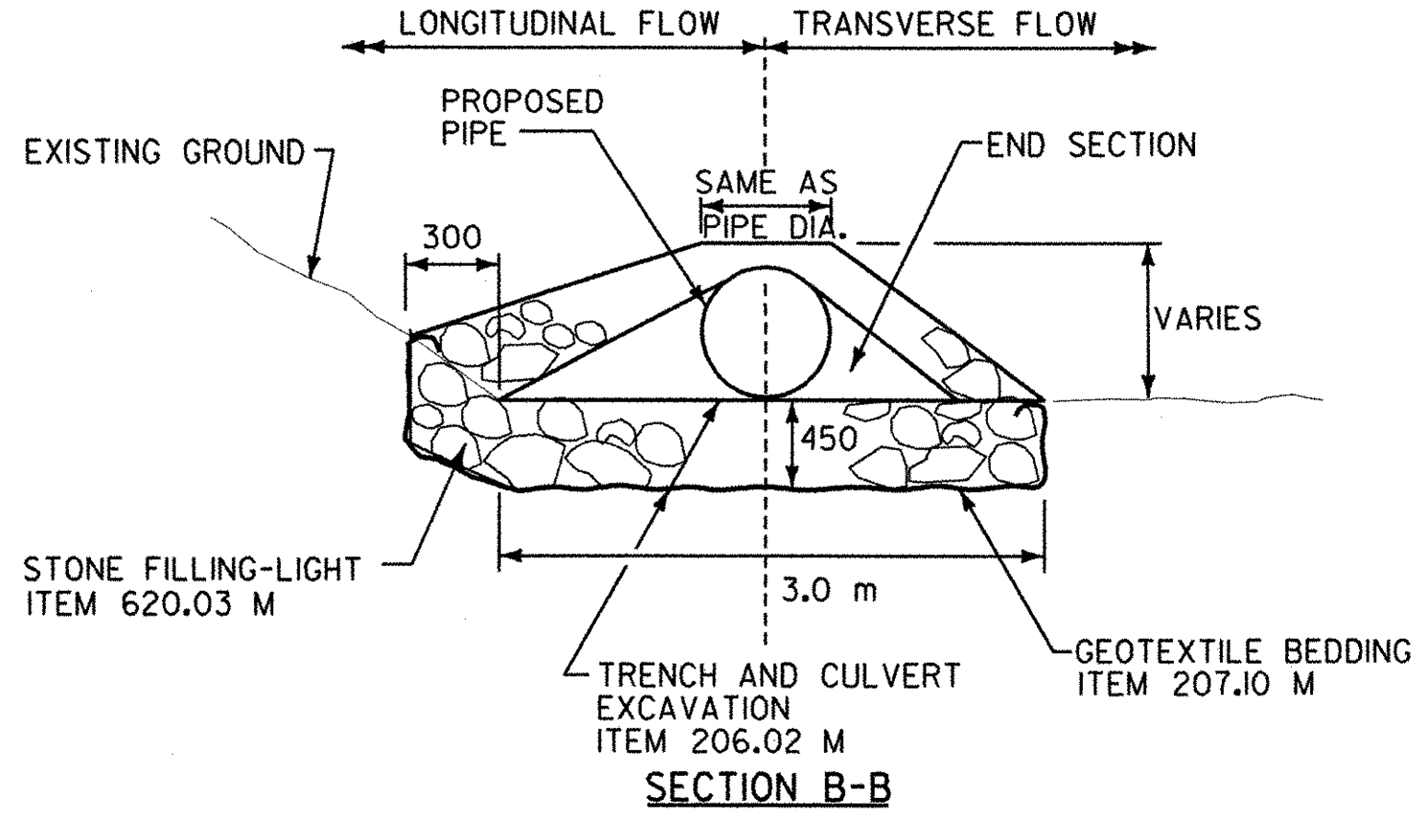


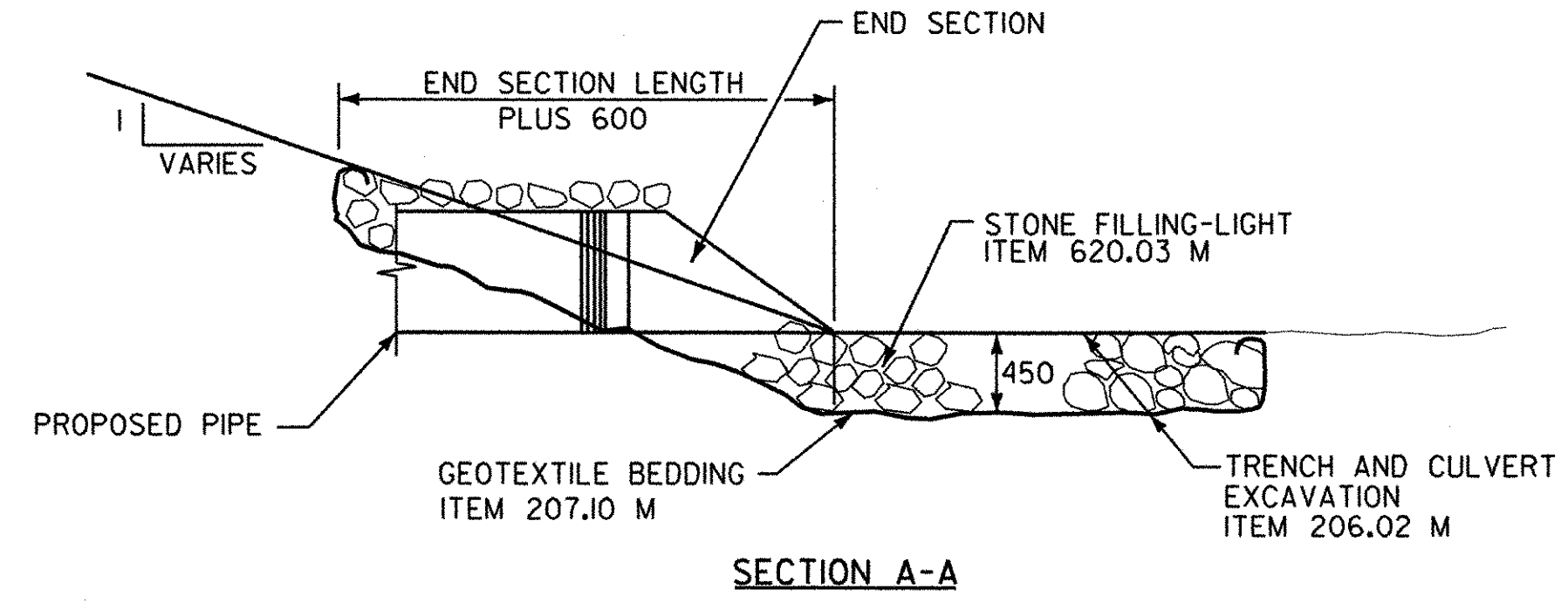
FILE NAME = \\ARBUS\caddes\contract\engddr1.dgn
 DATE/TIME = 2/23/2004
 USER = 225
 IN CHARGE OF T. KARIS
 DESIGNED BY D. EMERICH
 CHECKED BY D. EMERICH
 ESTIMATED BY D. GOZALKOWSKI
 DRAFTED BY D. GOZALKOWSKI
 CHECKED BY C. KAHLBAUGH
 DATE 2/04
 CHECKED BY J. BURTNICK



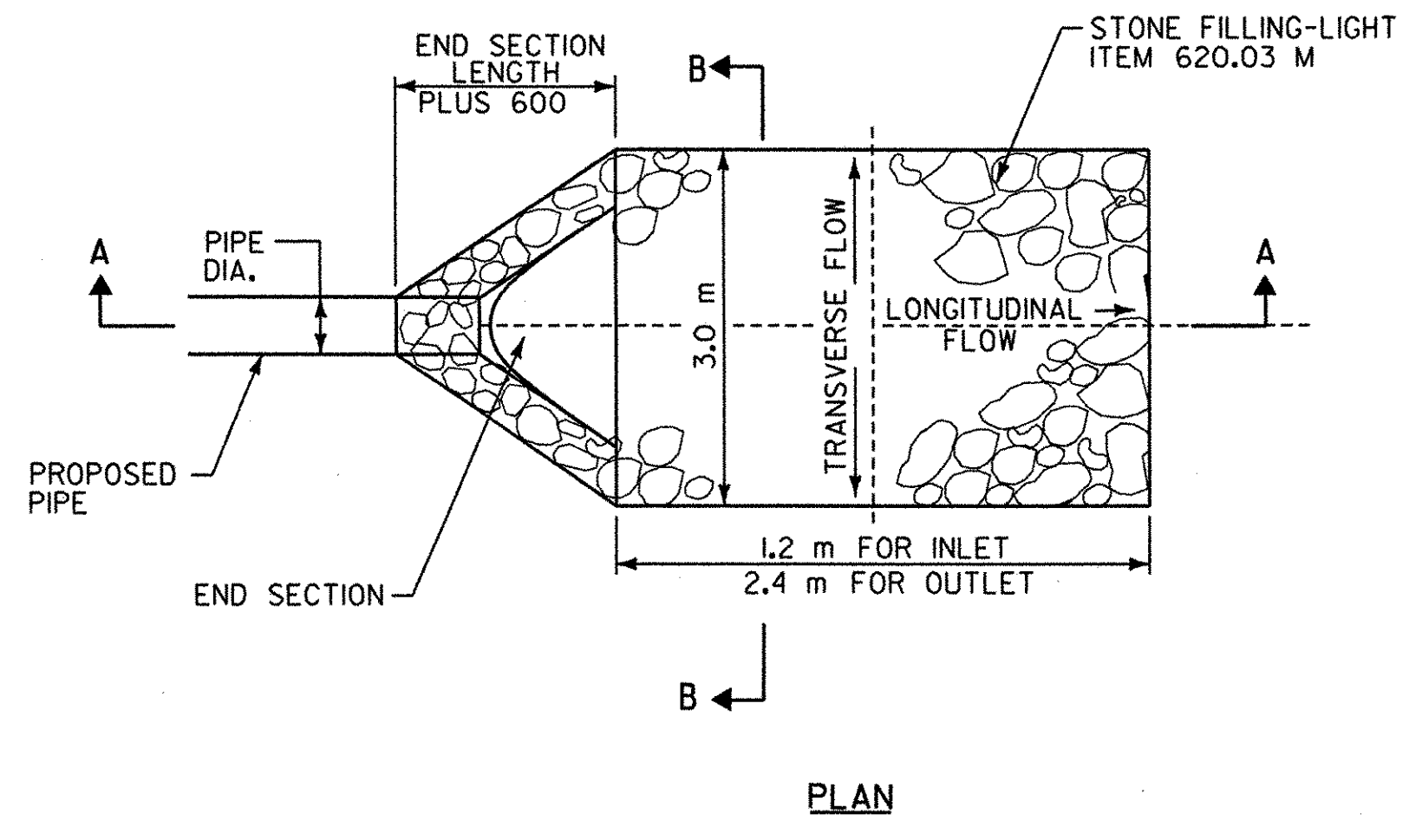
FED. ROAD REG. NO.	STATE	FEDERAL AID PROJECT NO.	SHEET NO.	TOTAL SHEETS
I	N.Y.	0146001	39	92
BENNINGTON CONNECTOR S.H. 98-2				
P.I.N. 1306.60				
WHITEHOUSE BRIDGE - VERMONT STATE LINE S.H. 1426				
RENSSELAER COUNTY				



SECTION B-B



SECTION A-A

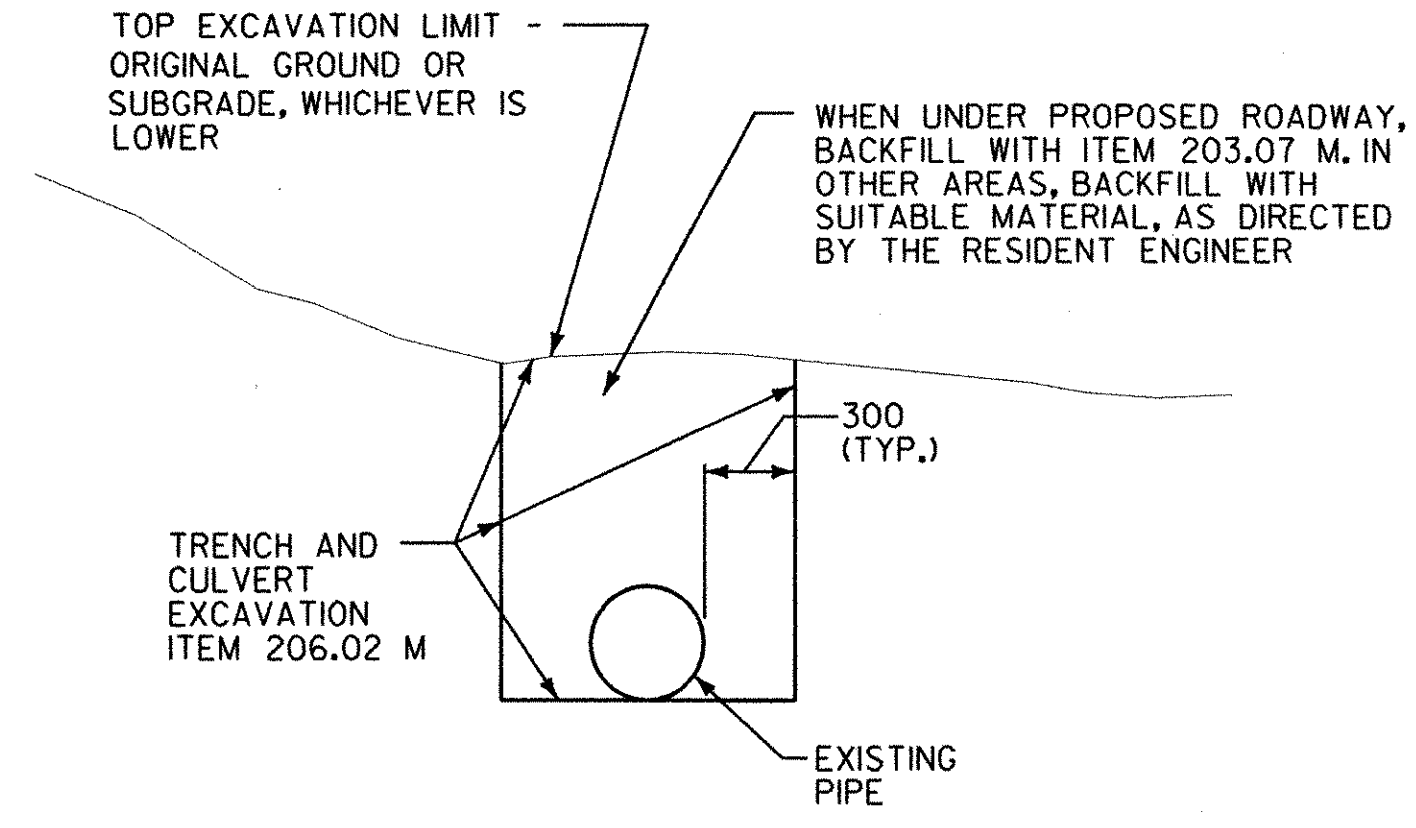


PLAN

STONE-LINED APRON DETAIL

N.T.S.

(SEE DRAINAGE TABLE, DWG. DT-1 FOR LOCATIONS)

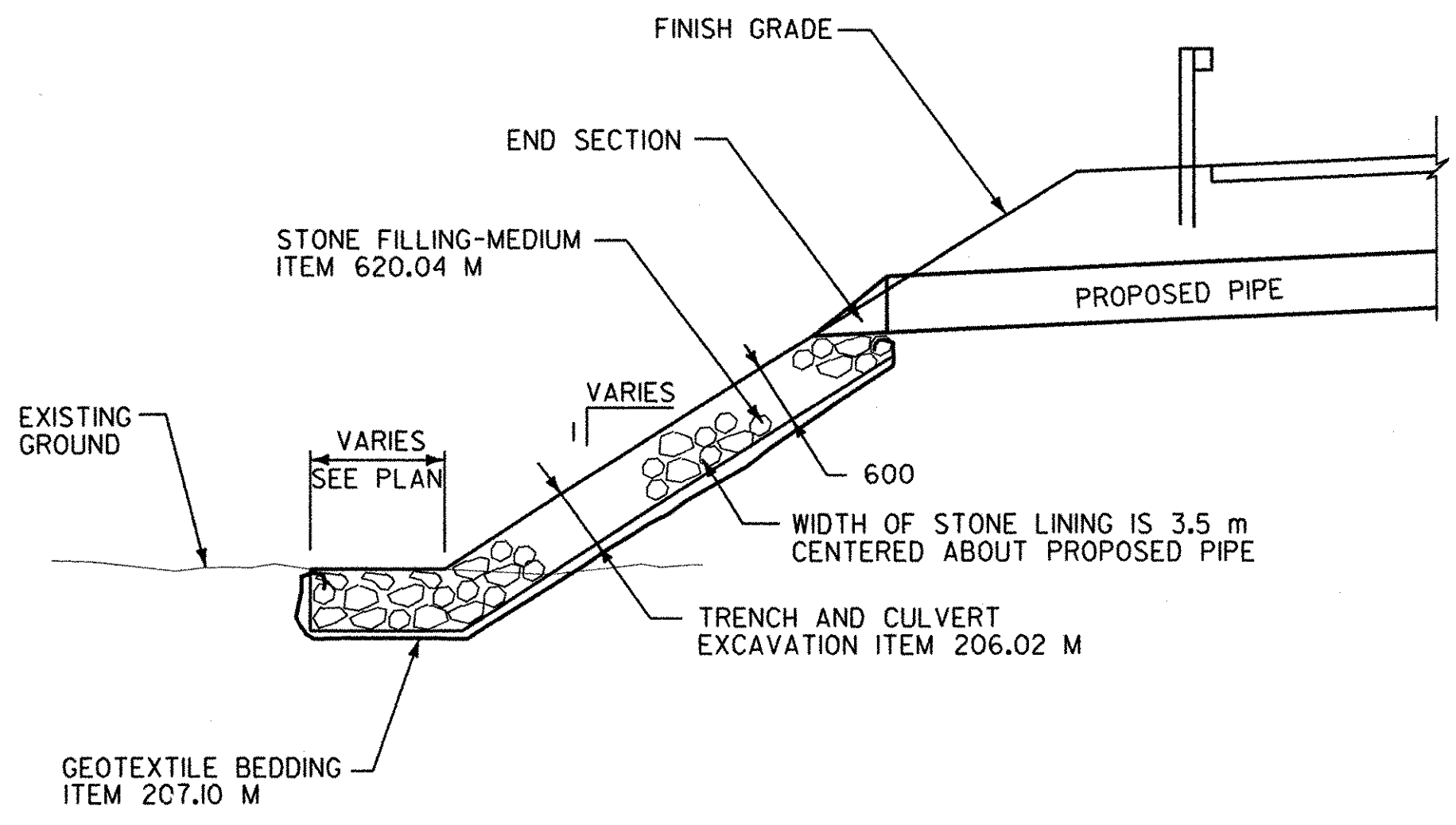


EXISTING PIPE REMOVAL DETAIL

N.T.S.

(SEE DRAINAGE TABLE, DWG. DT-1 FOR LOCATIONS)

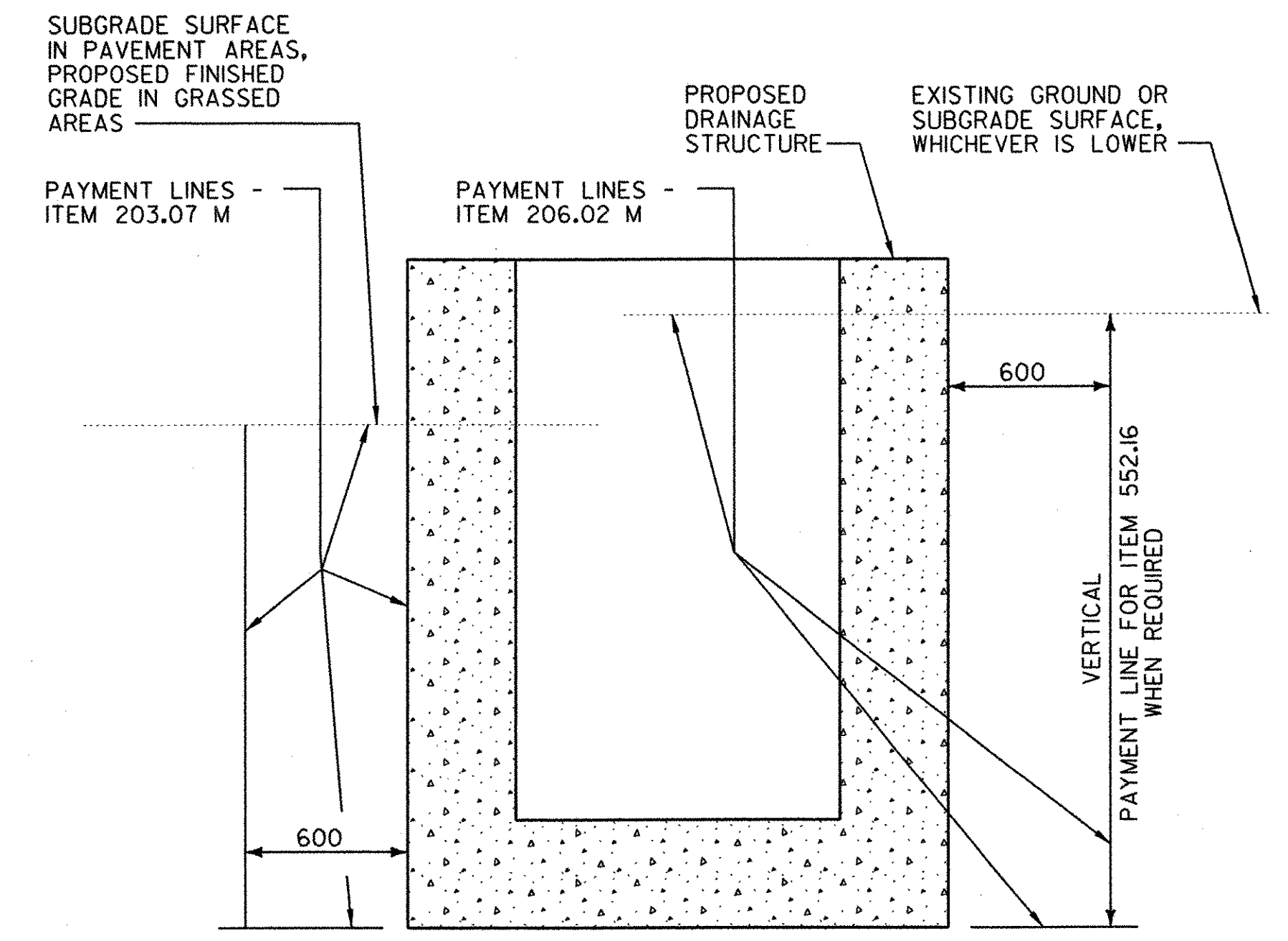
NOTE:
IF THE EXCAVATION LIMITS FOR THE INSTALLATION OF A NEW PIPE OVERLAPS THE EXCAVATION LIMITS FOR PIPE REMOVALS, PAYMENT FOR EXCAVATION SHALL BE PAID ONLY FOR THE NEW PIPE INSTALLATION.



STONE-LINED SLOPE DETAIL

N.T.S.

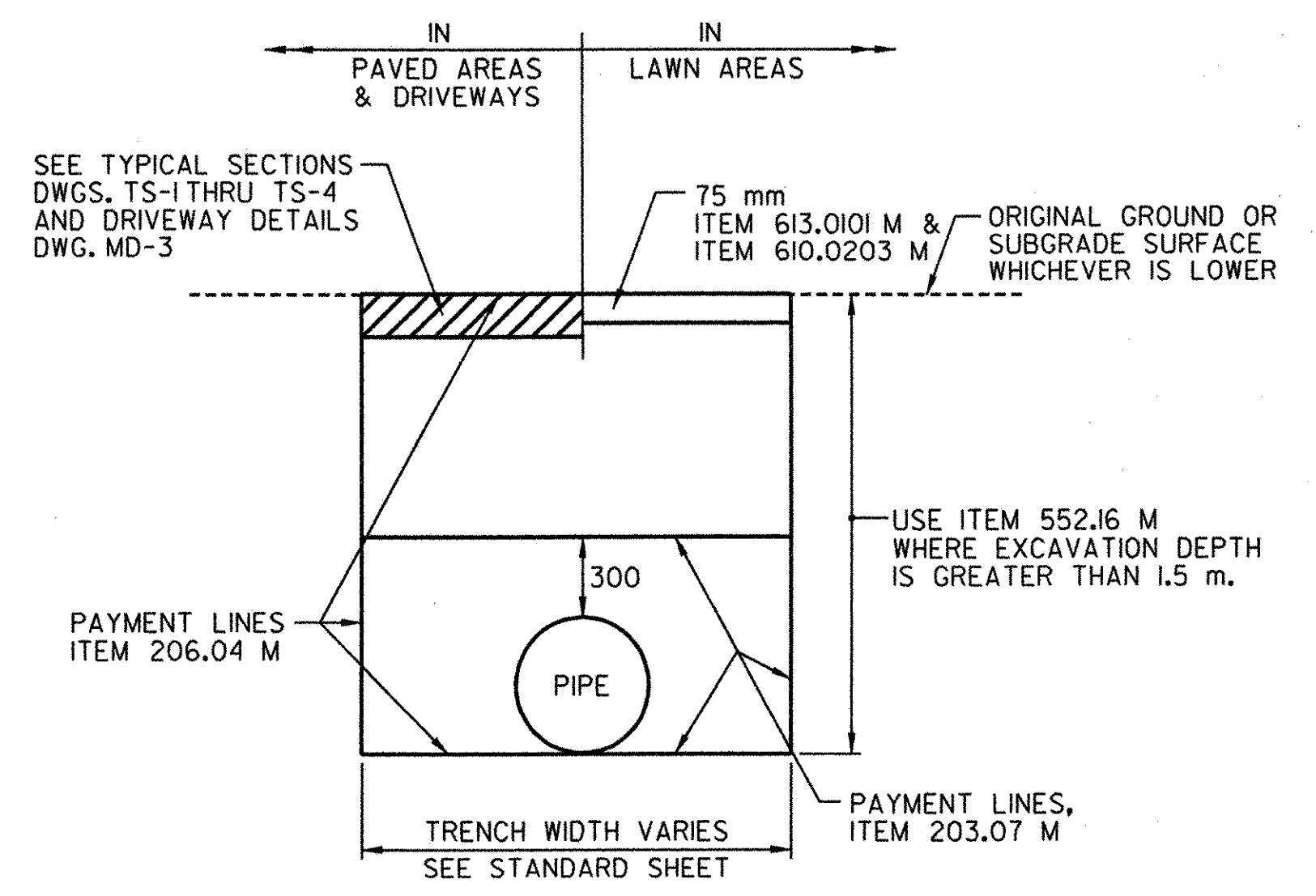
(SEE DRAINAGE TABLE, DWG. DT-1 FOR LOCATIONS)



INSTALLATION OF PROPOSED DRAINAGE STRUCTURES

N.T.S.

(SEE DRAINAGE TABLE, DWG. DT-1 FOR LOCATIONS)



DRAINAGE PIPE INSTALLATION DETAIL

N.T.S.

DRAINAGE DETAILS

NOTE:
ALL DIMENSIONS IN MILLIMETERS UNLESS OTHERWISE NOTED.

SURVEYED BY	C.H.A. & V.S.E.	DATE	12/93
DESIGNED BY	D.W.E.	DATE	2/04
DRAWN BY	C.A.K.	DATE	2/04
CHECKED BY	T.P.K.	DATE	2/04
DESIGN FILE NO.	NYDD-1.dgn		
PROJ. NAME	BENNINGTON - HOOSICK D.P.I. 0146(1) C/1		
PROJ. NO.	P.I.N. 1306.60		
SHEET	39 OF 92	DWG NO.	DD-2