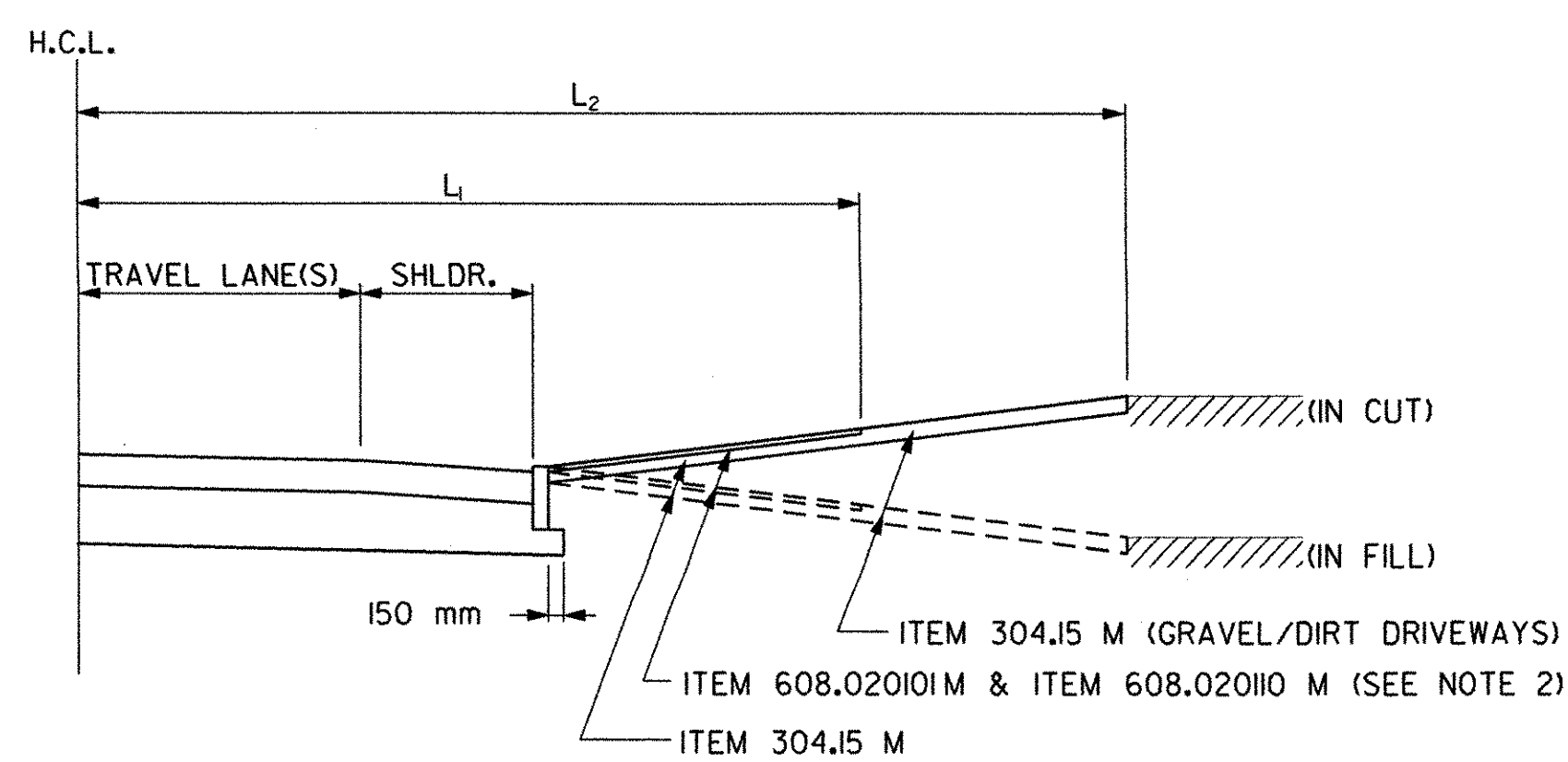
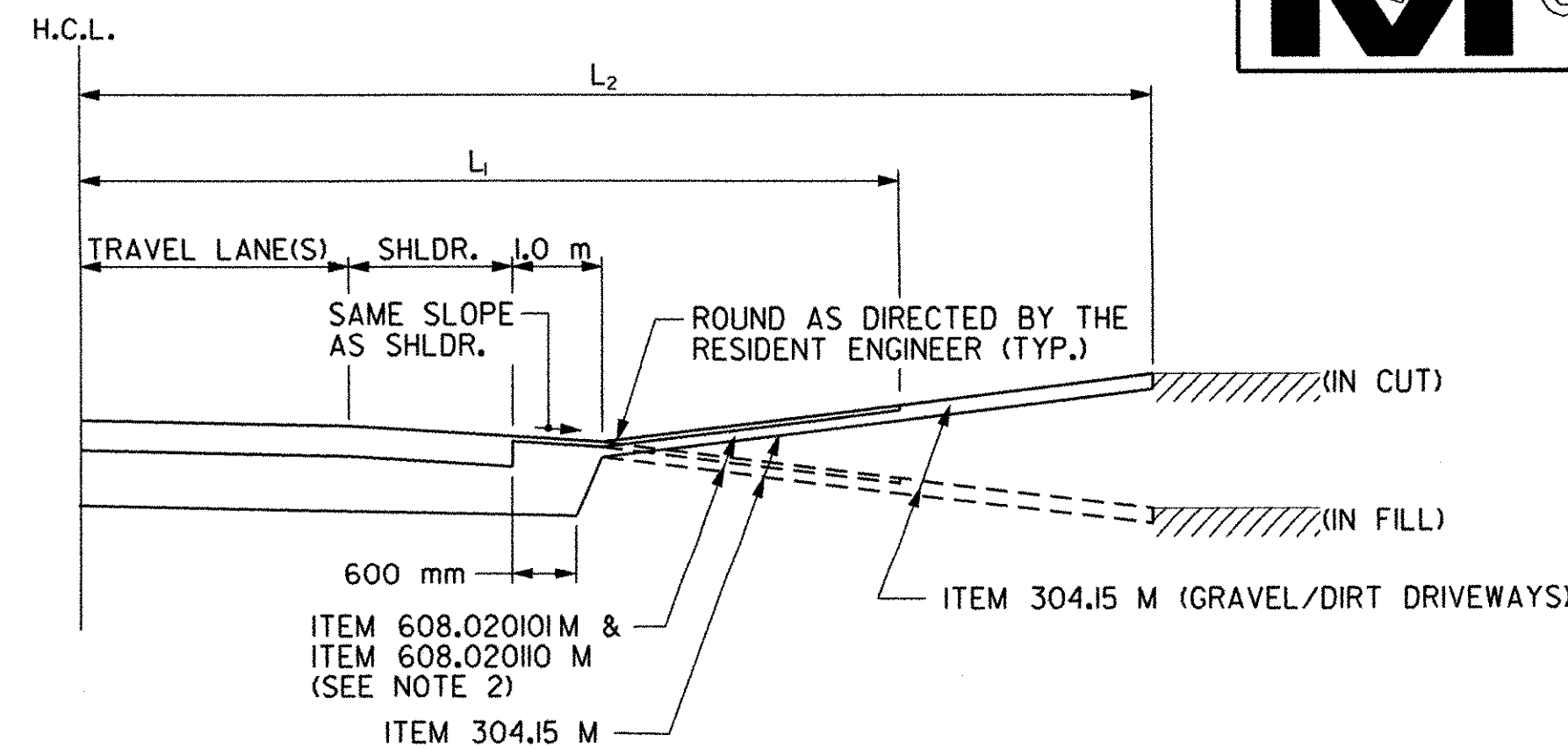




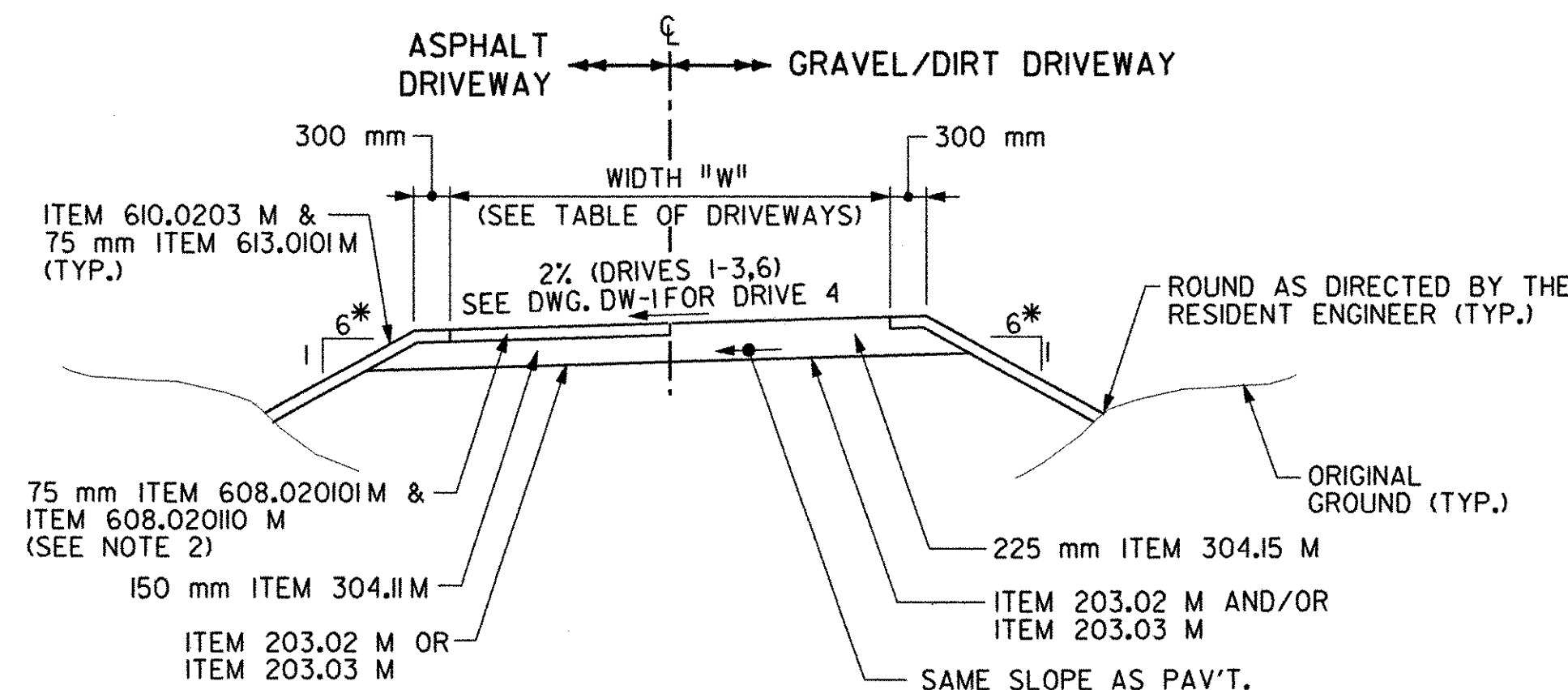
FED. ROAD REG. NO.	STATE	FEDERAL AID PROJECT NO.	SHEET NO.	TOTAL SHEETS
1	N.Y.	0146001	35	92
BENNINGTON CONNECTOR S.H. 98-2				
P.I.N. 1306.60				
WHITEHOUSE BRIDGE - VERMONT STATE LINE S.H. 1426				
RENSSELAER COUNTY				



SECTION A-A (W/CURB)

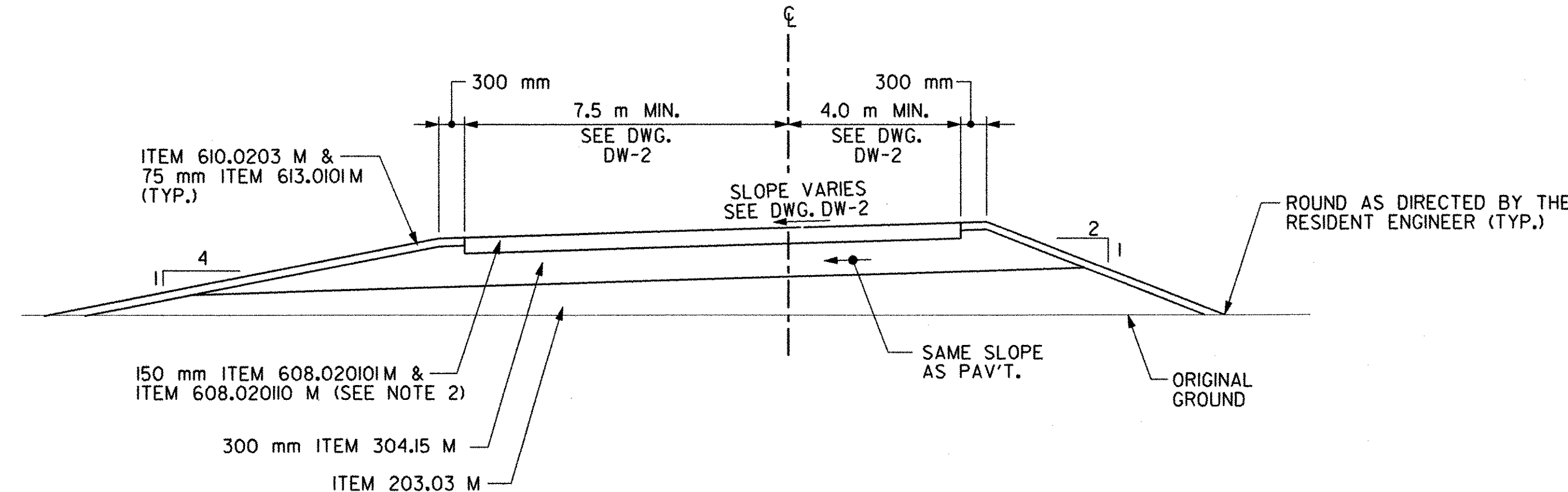


SECTION A-A (W/O CURB)

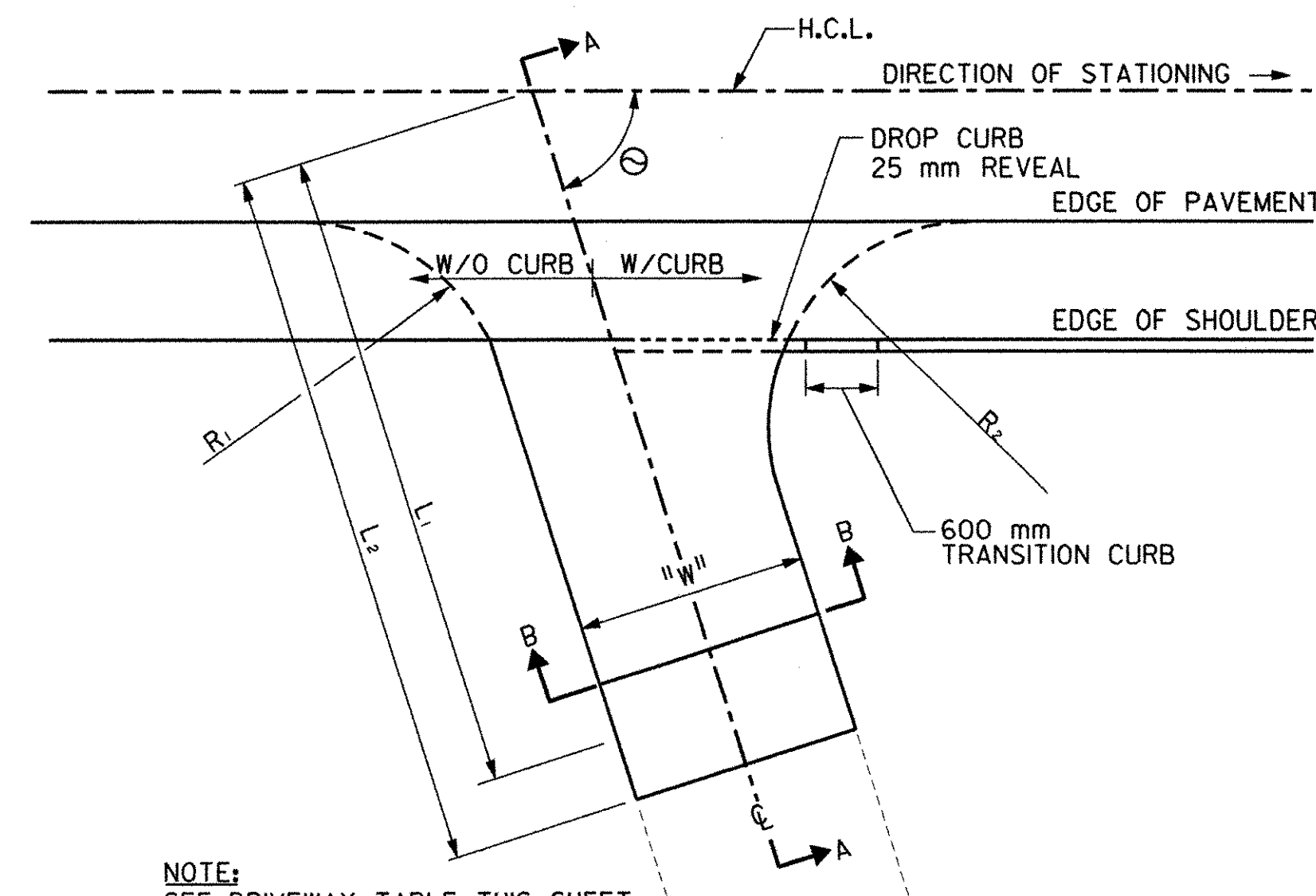


SECTION B-B (DRIVEWAYS 1-4, 6)

*SIDE SLOPES OF DRIVEWAYS TO BE 1ON 6 UNLESS OTHERWISE DIRECTED BY THE RESIDENT ENGINEER.



SECTION B-B (DRIVEWAY 5)



NOTE: SEE DRIVEWAY TABLE, THIS SHEET, FOR R1, R2, W, L1, AND L2.

PLAN DRIVEWAY DETAIL N.T.S.

TABLE OF DRIVEWAYS

DW NO.	STATION AND OFFSET	WIDTH "W"	EXISTING DW TYPE	RETURN RADIUS		LIMITS		Θ
				R1	R2	L1	L2	
1	42+933.0, LT.	37.5 m	GRAVEL	5.5 m	5.5 m	10.0 m	10.0 m	90°
2	43+031.0, LT.	3.0 m	GRAVEL	5.5 m	5.5 m	8.0 m	14.0 m	90°
3	43+074.5, LT.	3.0 m	GRAVEL	5.5 m	5.5 m	8.5 m	21.0 m	100°
4	42+896.673, RT.			REFER TO DWG. DW-1 FOR DRIVEWAY LAYOUT				
5	43+050.193, RT.			REFER TO DWG. DW-2 FOR DRIVEWAY LAYOUT				
6	42+914.0, LT.	6.0 m	GRAVEL	5.5 m	5.5 m	9.0 m	9.0 m	90°

ITEM NO.	DESCRIPTION	UNIT
203.02 M	UNCLASSIFIED EXCAVATION AND DISPOSAL	m ³
203.03 M	EMBANKMENT IN PLACE	m ³
304.15 M	SUBBASE COURSE, OPTIONAL TYPE	m ³
608.02010I M	ASPHALT CONCRETE SIDEWALKS, DRIVEWAYS, AND BICYCLE PATHS	+
608.02010I M	PLANT PRODUCTION QUALITY ADJUSTMENT TO 608.02010I M	QU
610.0203 M	ESTABLISHING TURF	m ²
613.0101 M	TOPSOIL	m ³

NOTES:

- A RELEASE FROM THE PROPERTY OWNER IS REQUIRED BEFORE ANY ADJUSTMENT IS MADE ON PRIVATE PROPERTY.
- PAYMENT FOR ITEM 608.02010I M SHALL BE INCLUDED IN PRICE BID FOR ITEM 608.02010I M.

MISCELLANEOUS DETAILS	SURVEYED BY C.H.A. & V.S.E. DATE 12/93
	DESIGNED BY D.W.E. DATE 2/04
	DRAWN BY C.A.K. DATE 2/04
	CHECKED BY T.P.K. DATE 2/04
	DESIGN FILE NO. NYMD-3.DGN
	PROJ. NAME BENNINGTON - HOOSICK D.P.I. 0146(1) C/1
PROJ. NO. P.I.N. 1306.60	
SHEET 35 OF 92	DWG NO. MD-3