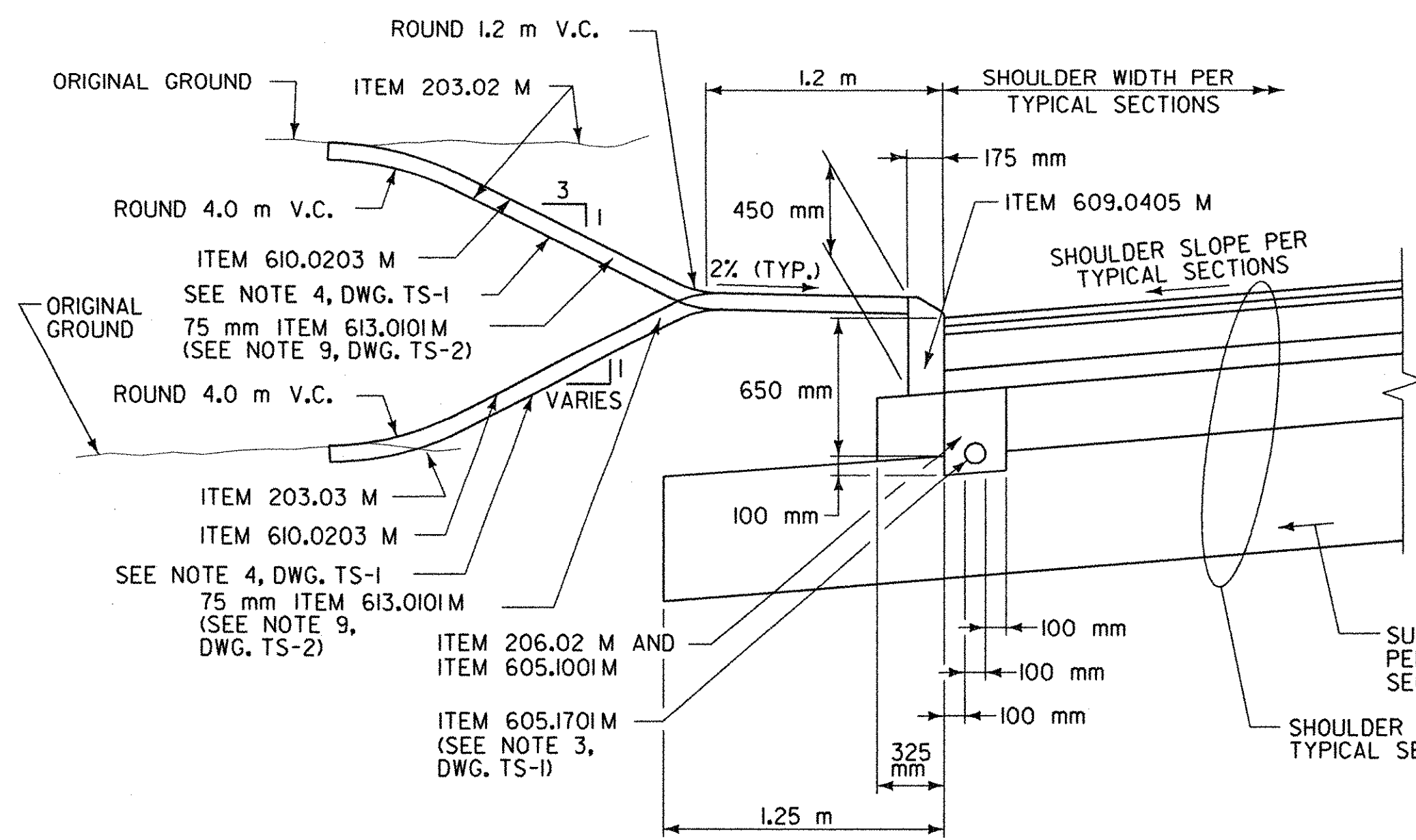


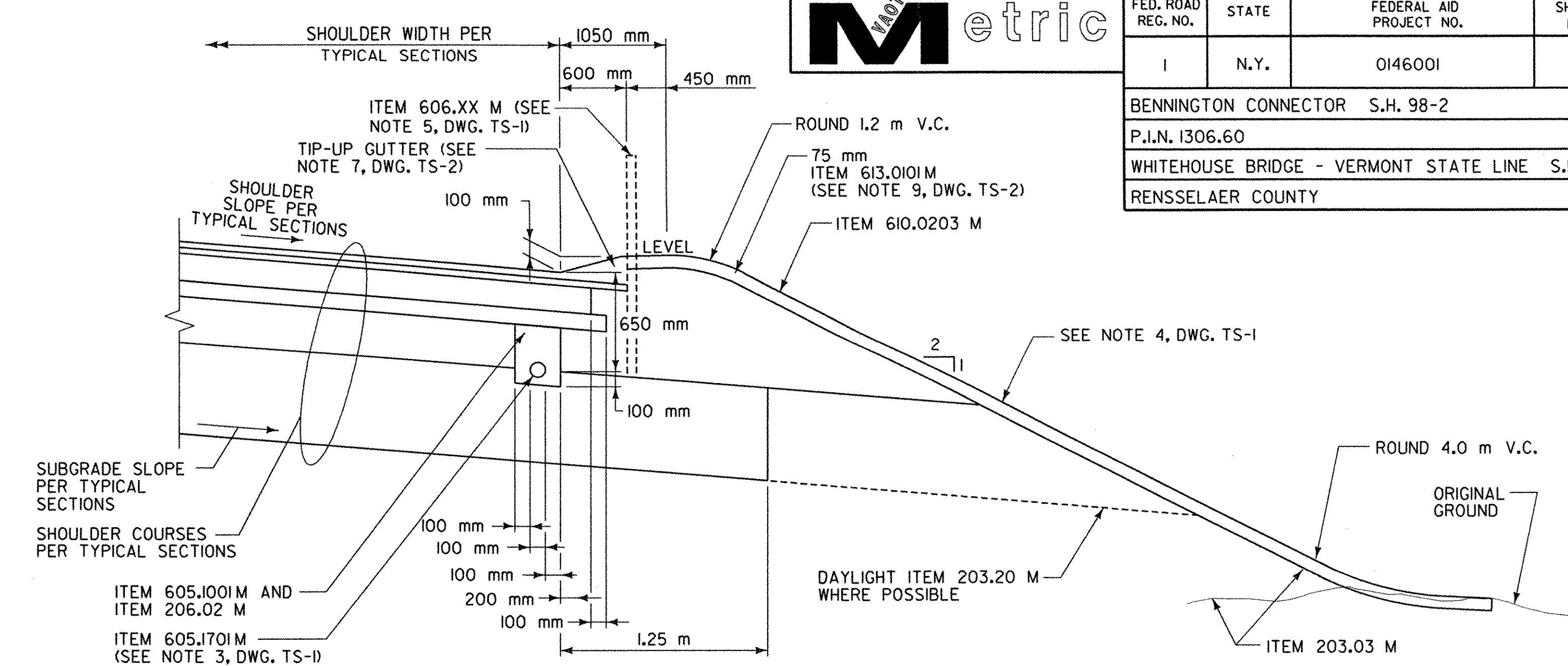
FILE NAME = u:\511\paved\contract\10\10\ts4.dgn
 DATE/TIME = 2/23/2004 11:22:25
 IN CHARGE OF I. KARIS
 DESIGNED BY I. KARIS
 CHECKED BY D. EMERICH
 ESTIMATED BY D. EMERICH
 DRAFTED BY D. GOZALKOWSKI
 CHECKED BY D. GOZALKOWSKI
 DRAFTED BY C. KAHLBAUGH
 CHECKED BY C. KAHLBAUGH
 I. BURTNICK
 CHECKED BY I. BURTNICK
 DATE 2/04



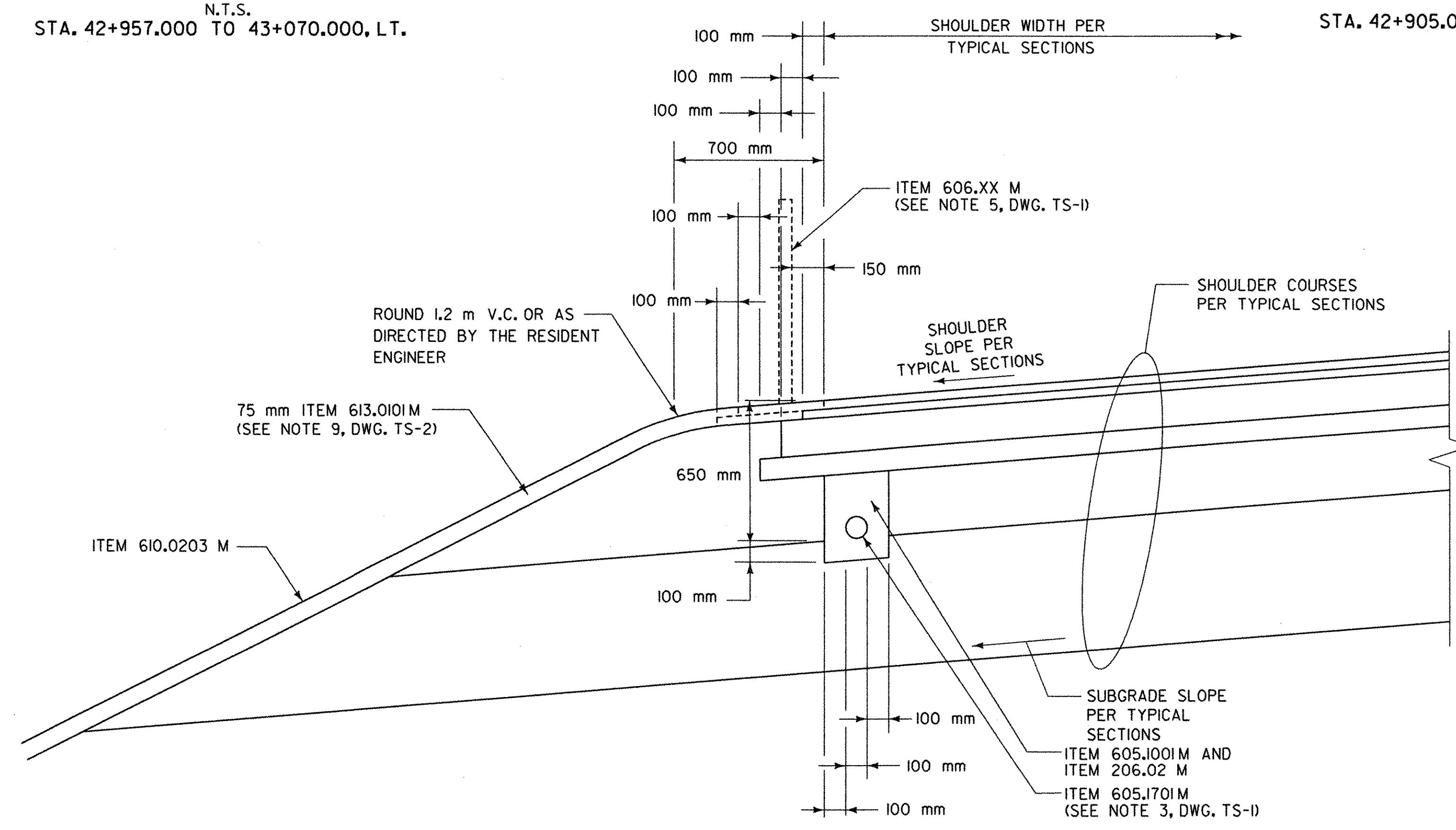
FED. ROAD REG. NO.	STATE	FEDERAL AID PROJECT NO.	SHEET NO.	TOTAL SHEETS
1	N.Y.	0146001	6	92
BENNINGTON CONNECTOR		S.H. 98-2		
P.I.N. 1306.60				
WHITEHOUSE BRIDGE - VERMONT STATE LINE		S.H. 1426		
RENSSELAER COUNTY				



CONCRETE CURB EDGE DETAIL
N.T.S.
STA. 42+957.000 TO 43+070.000, LT.



TIP-UP GUTTER DETAIL
N.T.S.
STA. 42+905.000 TO 43+035.000, RT.



EDGE OF SHOULDER DETAIL
N.T.S.

ITEM NO.	DESCRIPTION	UNIT	ITEM NO.	DESCRIPTION	UNIT	NOTES:
203.02 M	UNCLASSIFIED EXCAVATION AND DISPOSAL	m ³				(SEE DWGS. TS-1, TS-2 AND TS-3)
203.03 M	EMBANKMENT IN PLACE	m ³				
203.20 M	SELECT GRANULAR SUBGRADE	m ³				
206.02 M	TRENCH & CULVERT EXCAVATION	m ³				
605.1001M	UNDERDRAIN FILTER - TYPE II	m ³				
605.1701M	OPTIONAL UNDERDRAIN, 100 mm DIAMETER	m				
606.XX M	GUIDE RAILING	m				
609.0405 M	CAST-IN-PLACE CONCRETE CURB, TYPE M100	m				
610.0203 M	ESTABLISHING TURF	m ²				
613.0101M	TOPSOIL	m ³				

TYPICAL SECTIONS

SURVEYED BY	C.H.A. & V.S.E.	DATE	12/93
DESIGNED BY	D.W.E.	DATE	2/04
DRAWN BY	C.A.K.	DATE	2/04
CHECKED BY	T.P.K.	DATE	2/04
DESIGN FILE NO.	NY-TS4.DGN		
PROJ. NAME	BENNINGTON - HOOSICK D.P.J. 0146(I) C/1		
PROJ. NO.	P.I.N. 1306.60		
SHEET	6 OF 92	DWG NO.	TS-4