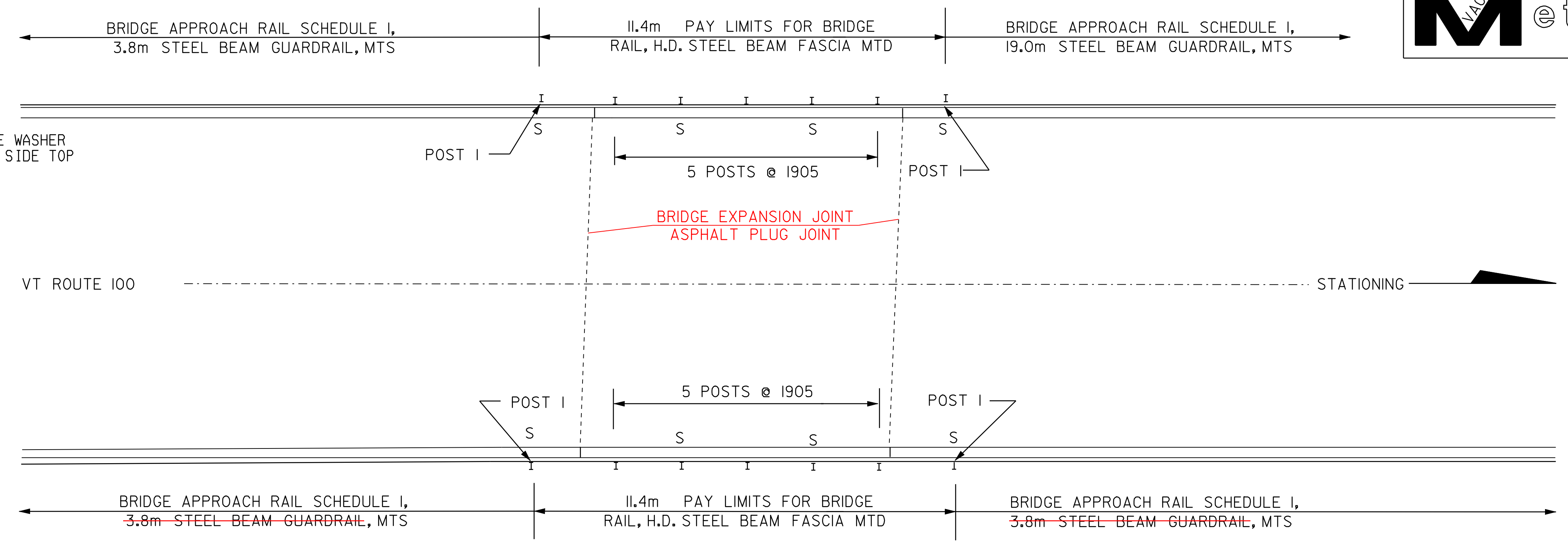


ANCHORAGE DETAIL

~~2 - 25 DIA ANCHOR BOLTS EACH SIDE WITH 4 NUTS & 4 WASHERS (2 PLATE AND 2 STANDARD) NOT DONE~~



**BRIDGE #59
DOVER
STA 3+436.92
(MM 2.136)**

NOT TO SCALE

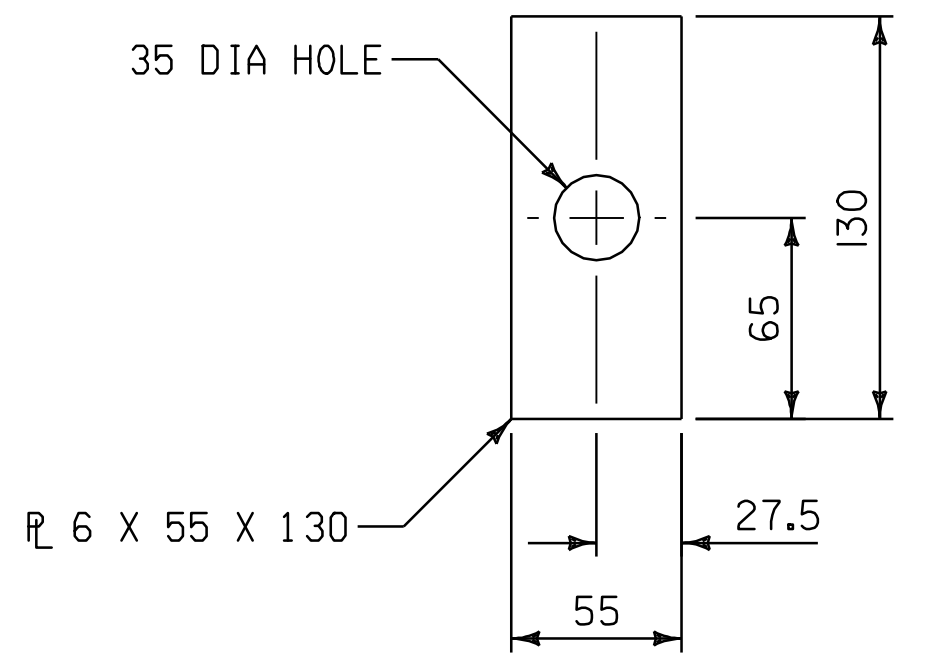
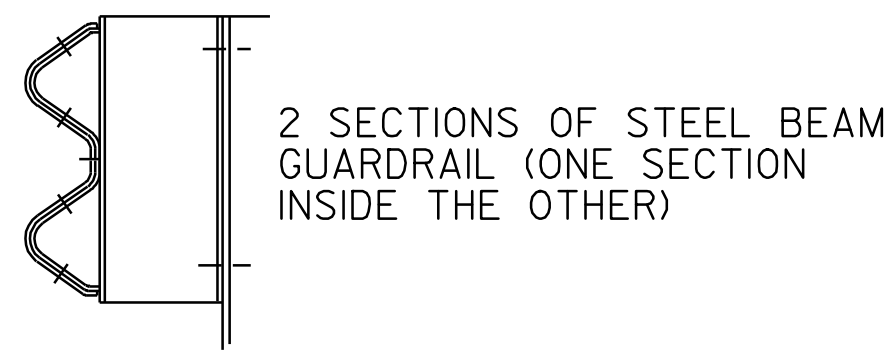


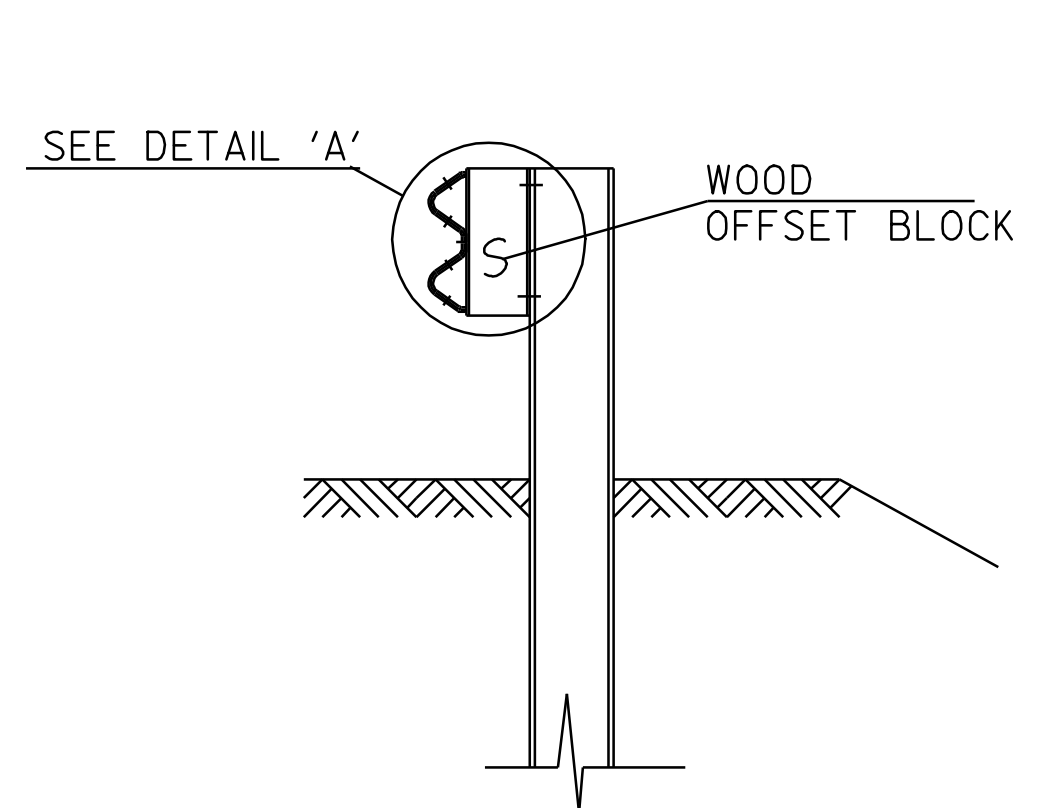
PLATE WASHER DETAIL



DETAIL A

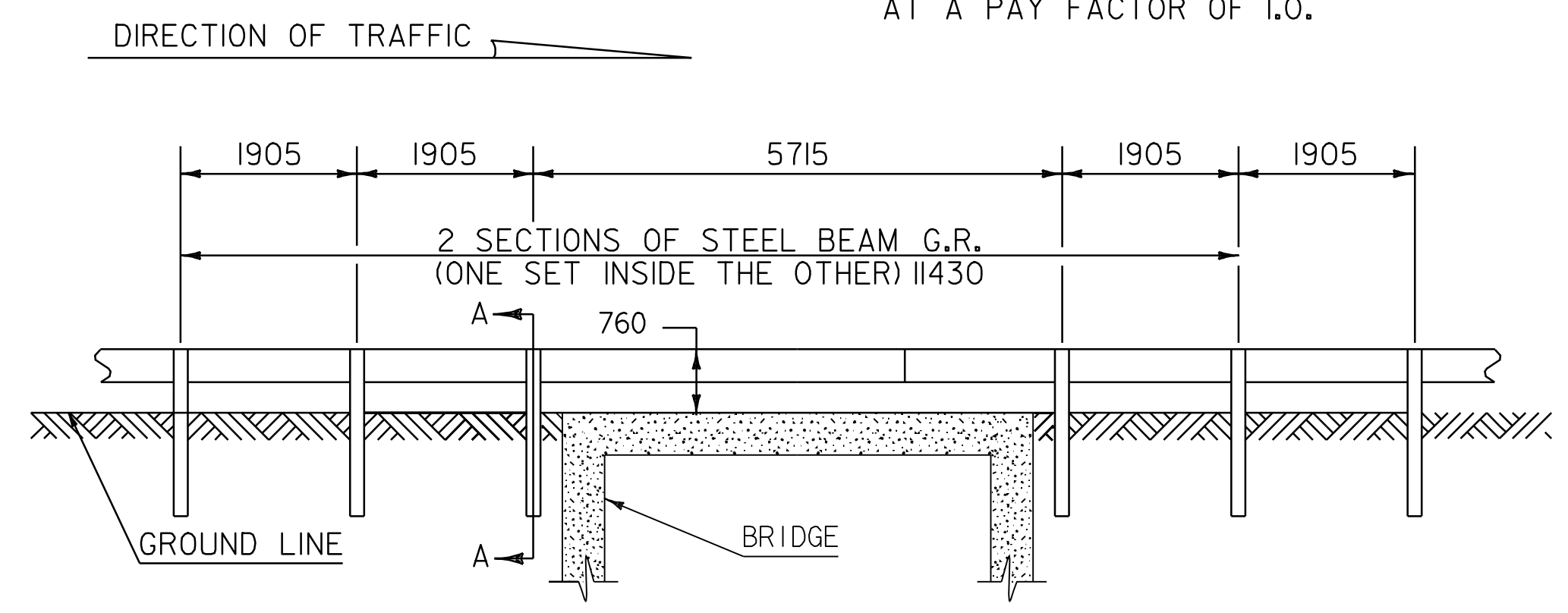
NOTES

1. SEE STANDARD G-IM & G-IDM FOR STEEL BEAM GUARDRAIL DETAILS.
2. THIS DETAIL TO BE USED AS INDICATED ON THE ITEM DETAIL SHEET OR AS DIRECTED BY THE ENGINEER.
3. THIS WORK SHALL BE PAID FOR AS STEEL BEAM GUARDRAIL AT A PAY FACTOR OF 1.0.



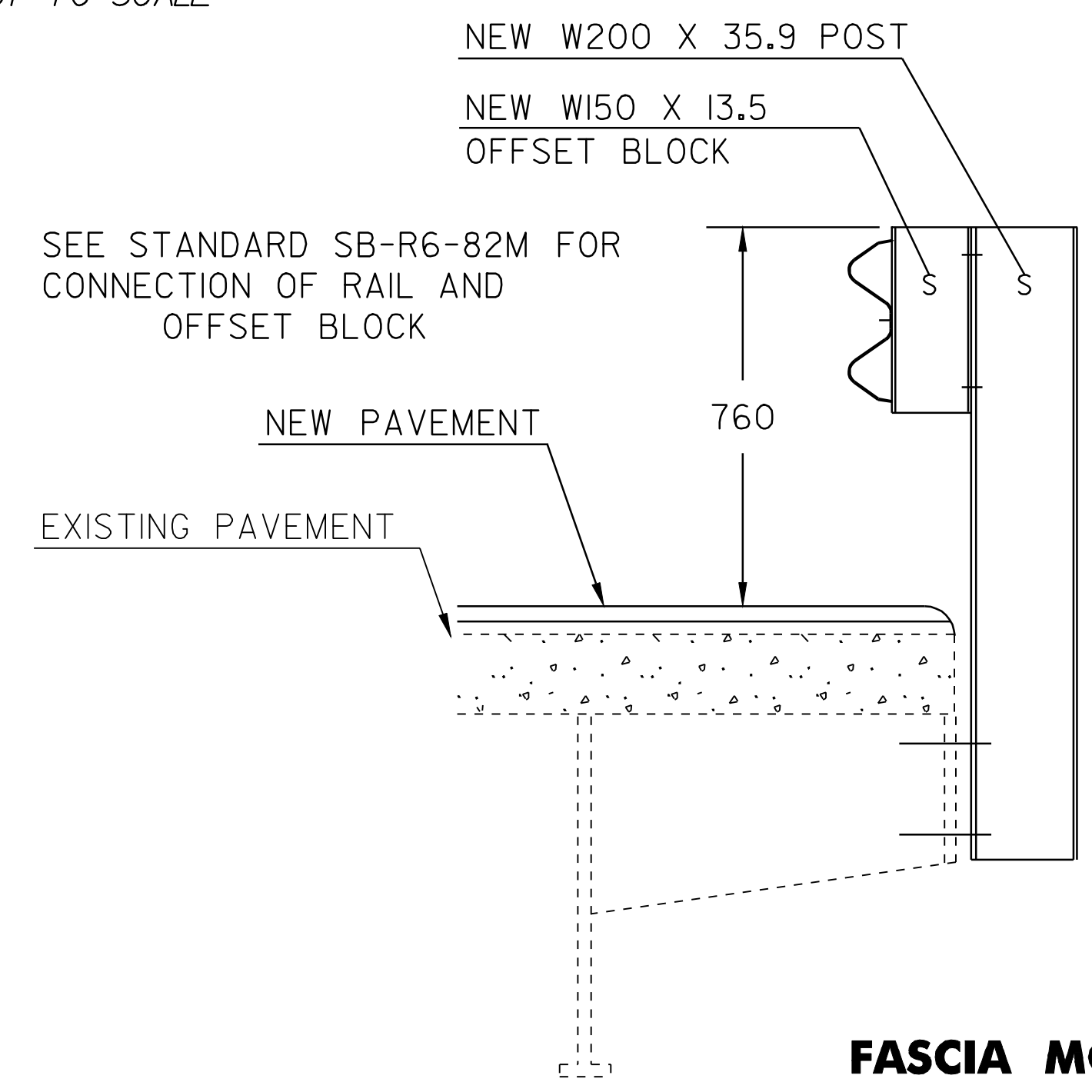
SECTION A-A

NOT TO SCALE



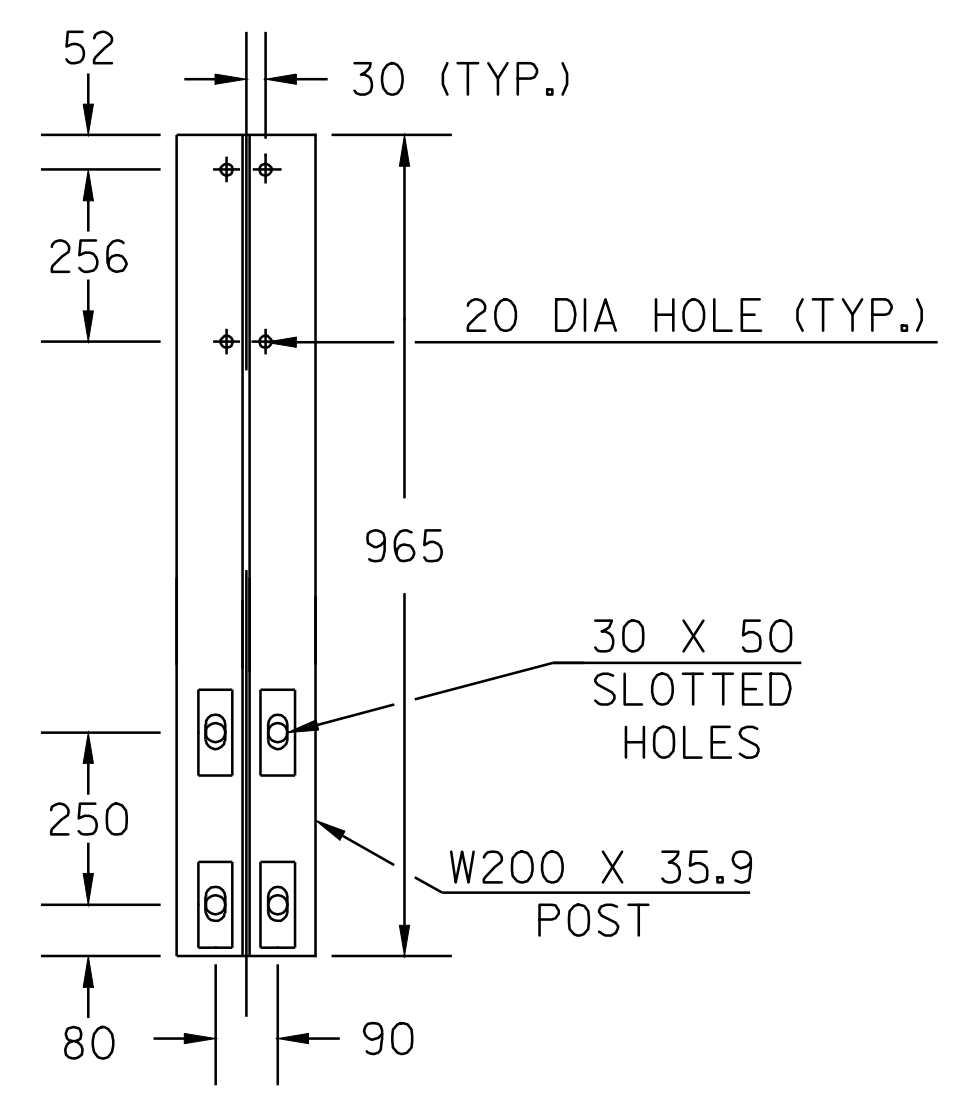
**DETAIL OF STEEL BEAM GUARDRAIL AT
BRIDGE #61 @ STA 8+397.24, DOVER (MM 5.218)
BRIDGE #62 @ STA 8+500.57, DOVER (MM 5.282)**

NOT TO SCALE



FASCIA MOUNTED STEEL POST DETAIL

NOT TO SCALE



NOTE: ALL DIMENSIONS IN MILLIMETERS EXCEPT AS INDICATED

**BRIDGE
DETAIL
SHEET #4**

PROJECT: DOVER - STRATTON	PROJECT NO.: STP 2214(I)S
DESIGN FILE NAME: /pave/99bl80/pbl80.dgn	PLOT DATE: 24-MAY-2007
IPARM FILE NAME: pbl80br04.i	SURVEY DATE: 5/00
SURVEYED BY: CLD ENGINEERS INC	DRAWN BY: MPS
SQUAD LEADER: WRH	SHEET: 48 OF 49

DATUM	
VERTICAL	N/A
HORIZONTAL	N/A