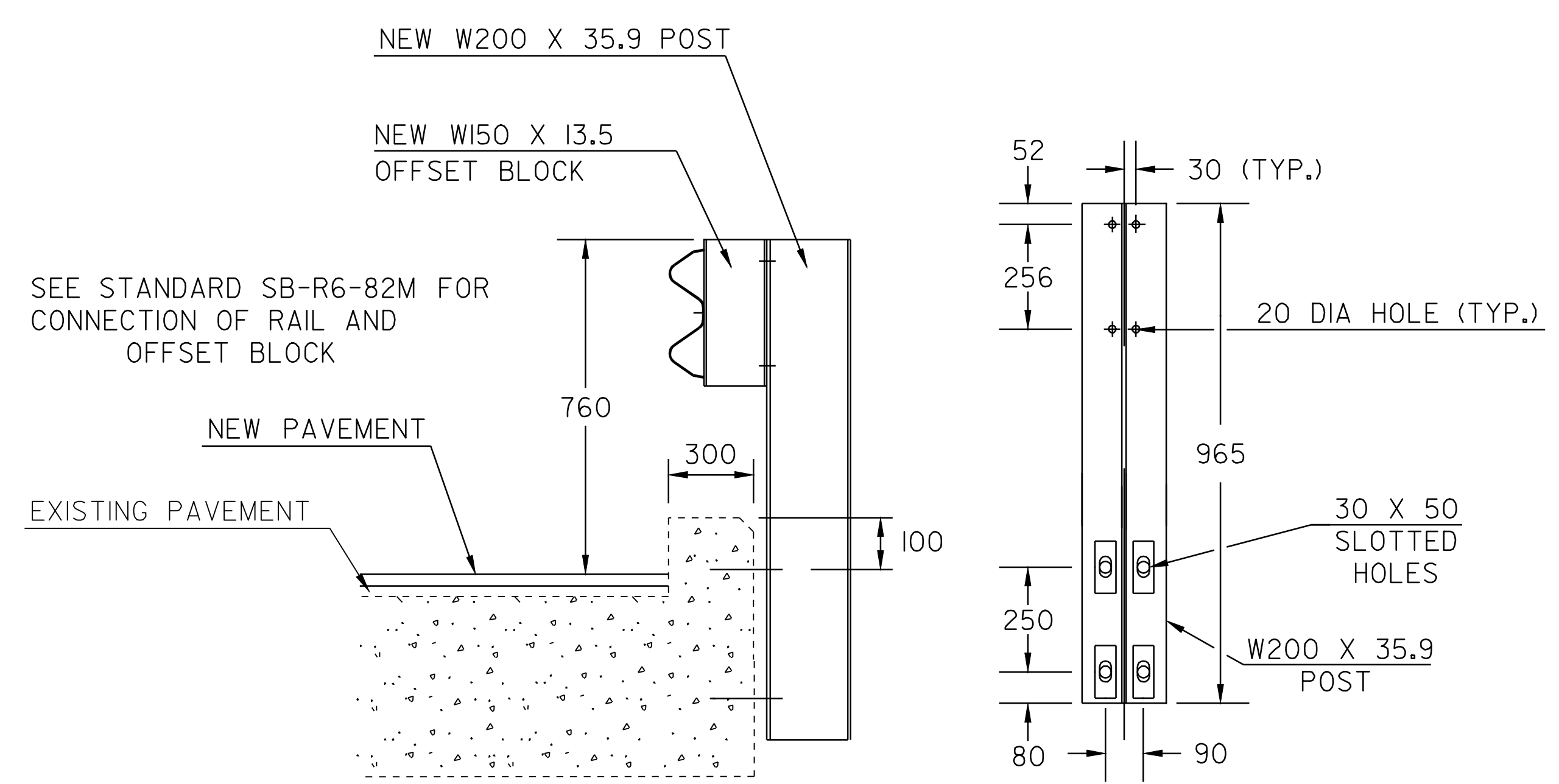
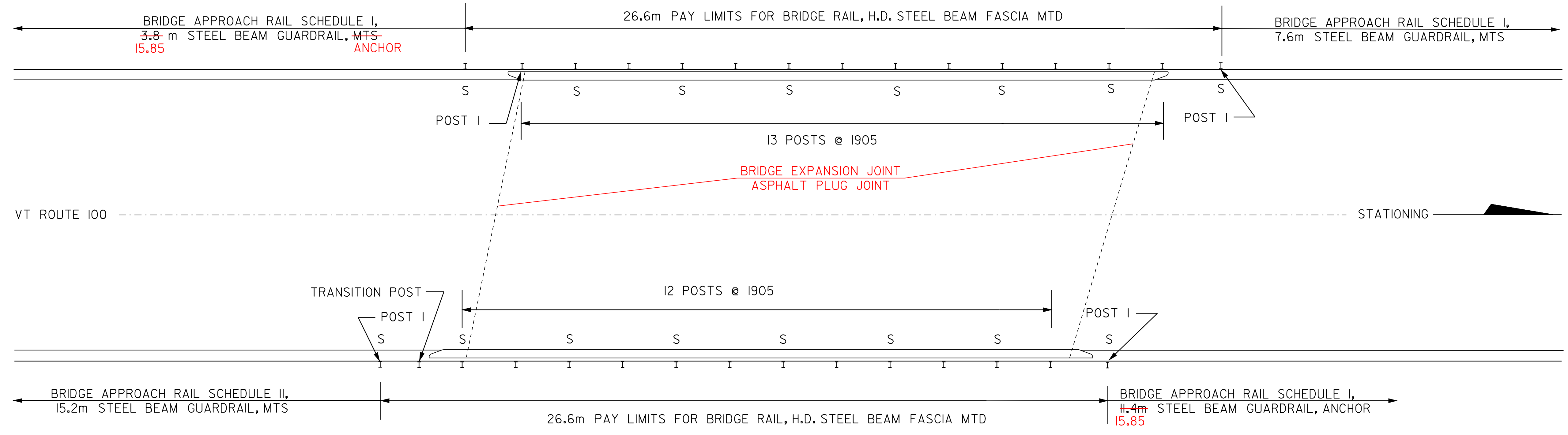
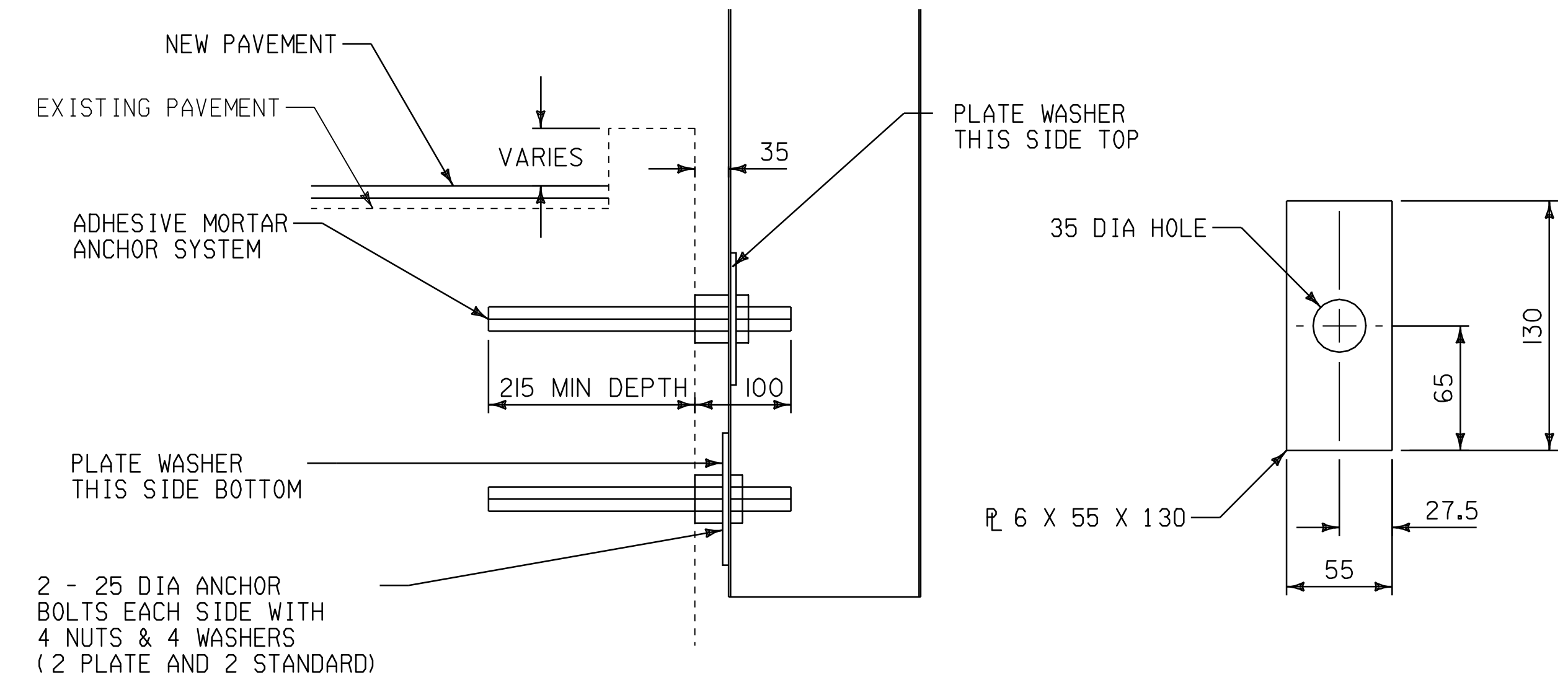


**BRIDGE #56  
DOVER  
STA 1+399.03  
(MM 0.869)**



**FASCIA MOUNTED STEEL POST DETAIL**  
NOT TO SCALE



**ANCHORAGE DETAIL**  
NOT TO SCALE

**PLATE WASHER DETAIL**  
NOT TO SCALE

NOTE: ALL DIMENSIONS IN MILLIMETERS EXCEPT AS INDICATED

DATUM	
VERTICAL	N/A
HORIZONTAL	N/A

**BRIDGE  
DETAIL  
SHEET #2**

PROJECT: DOVER - STRATTON	PROJECT NO.: STP 2214(I)S
DESIGN FILE NAME: /pave/99bl80/pbl80.dgn	PLOT DATE: 24-MAY-2007
IPARM FILE NAME: pbl80br02.i	SURVEY DATE: 5/00
SURVEYED BY: CLD ENGINEERS INC	DRAWN BY: MPS
SQUAD LEADER: WRH	SHEET: 46 OF 49

NOT TO SCALE