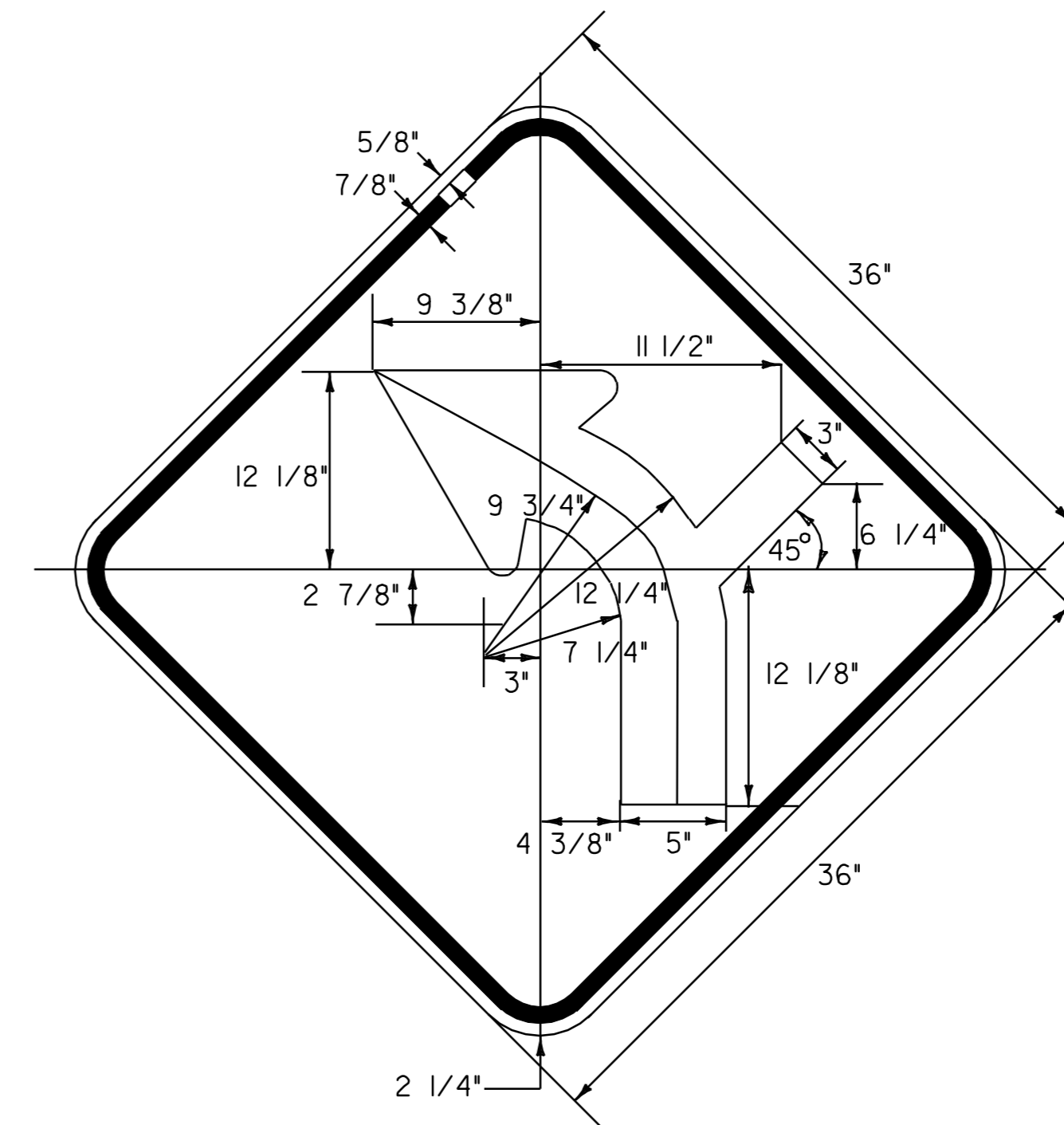


W1-4L

BLACK SYMBOL & BORDER
WITH YELLOW (RETROREFLECTIVE) BACKGROUND
SEE VAOT STANDARD E-150 FOR MATERIALS

LOCATION

CORINTH STA. 26+00, RT

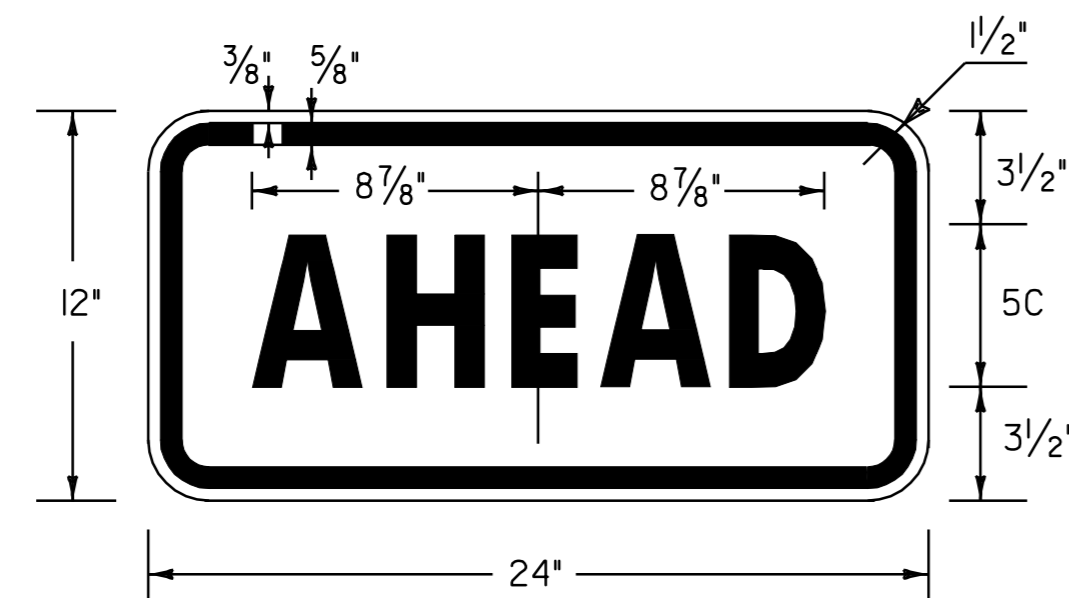
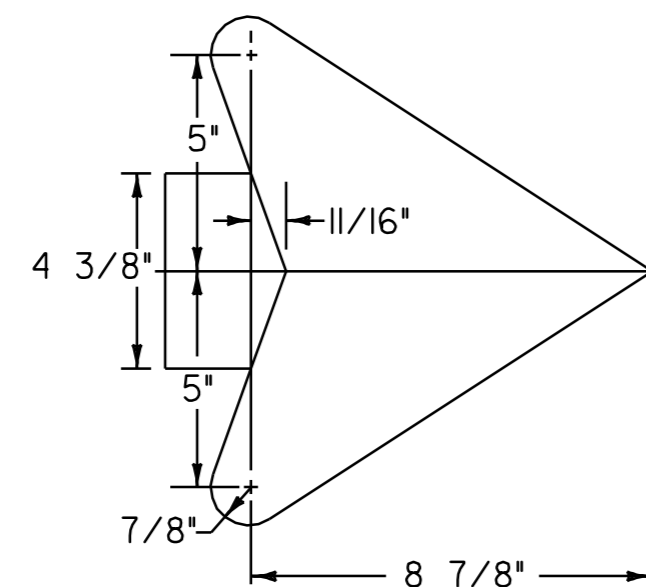


W1-10R

BLACK SYMBOL & BORDER
WITH YELLOW (RETROREFLECTIVE) BACKGROUND
SEE VAOT STANDARD E-150 FOR MATERIALS

LOCATION

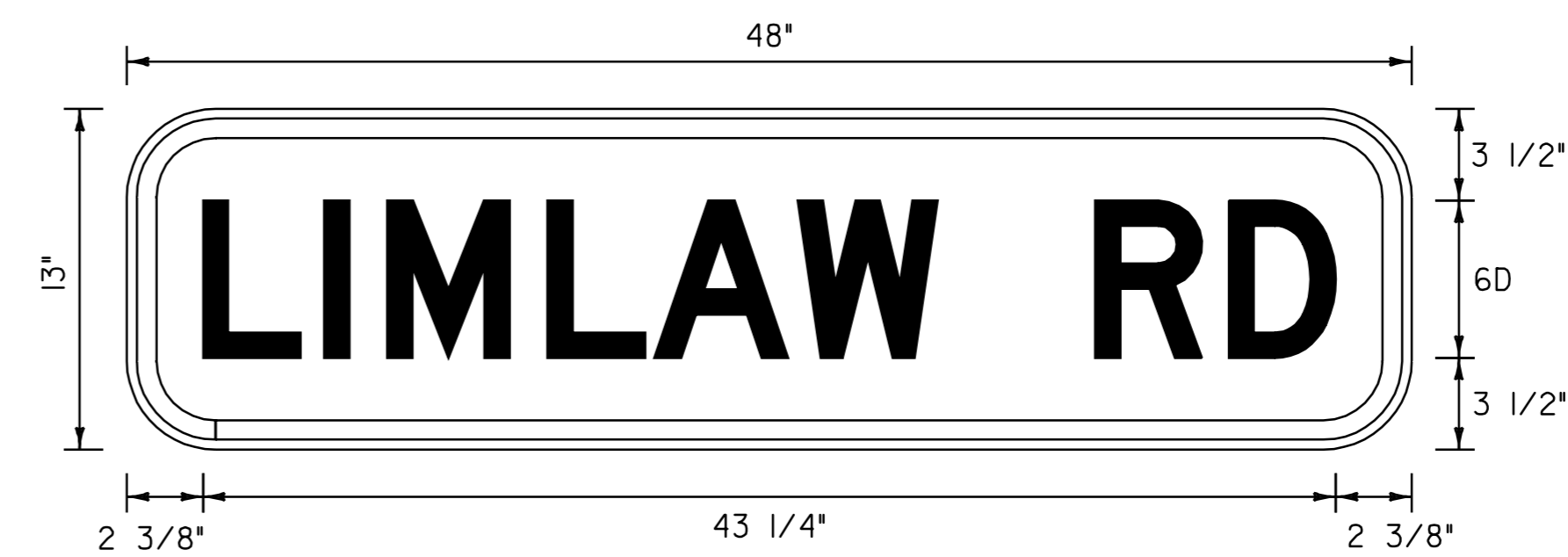
CORINTH STA. 200+00, LT



BLACK SYMBOL & BORDER
WITH YELLOW (RETROREFLECTIVE) BACKGROUND
FLUORESCENT YELLOW GREEN (RETROREFLECTIVE) OPTIONAL
SEE VAOT STANDARD E-150 FOR MATERIALS

LOCATION

TOPSHAM STA. 0+41, RT
TOPSHAM STA. 10+06, LT



W16-8a

BLACK SYMBOL & BORDER
WITH YELLOW (RETROREFLECTIVE) BACKGROUND
SEE VAOT STANDARD E-150 FOR MATERIALS

LOCATION

CORINTH STA. 200+00, LT



NOT TO SCALE

**TRAFFIC
SIGN
DETAILS
SHEET 1**

PROJECT NAME: BRADFORD - ORANGE

PROJECT NUMBER: STP 2213(I)

FILE NAME: p99b178.dgn

PLOT DATE: 28-MAY-2010 13:4

PROJECT LEADER: JLL

DRAWN BY: STANTEC

DESIGNED BY: STANTEC

CHECKED BY: JLL

IPARM FILE: p99b178tsd01.i

SHEET 70 OF 84