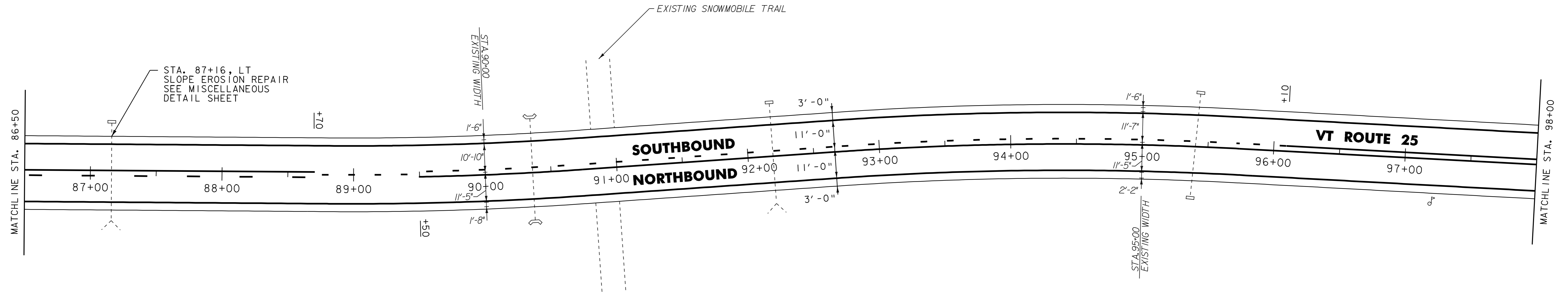


646.20
~~646.402 DURABLE~~ 4 INCH WHITE LINE, THERMOPLASTIC
 STA. 86+50 TO 98+00, SOLID LT & RT

646.602 TEMPORARY 4 INCH WHITE LINE, PAINT
 STA. 86+50 TO 98+00, SOLID LT & RT

646.21
~~646.412 DURABLE~~ 4 INCH YELLOW LINE, THERMOPLASTIC
 STA. 86+50 TO 88+70, SOLID LT, DASHED RT
 STA. 88+70 TO 89+50, DASHED C
 STA. 89+50 TO 96+10, DASHED LT, SOLID RT
 STA. 96+10 TO 98+00, SOLID LT & RT

646.612 TEMPORARY 4 INCH YELLOW LINE, PAINT
 STA. 86+50 TO 88+70, SOLID LT, DASHED RT
 STA. 88+70 TO 89+50, DASHED C
 STA. 89+50 TO 96+10, DASHED LT, SOLID RT
 STA. 96+10 TO 98+00, SOLID LT & RT

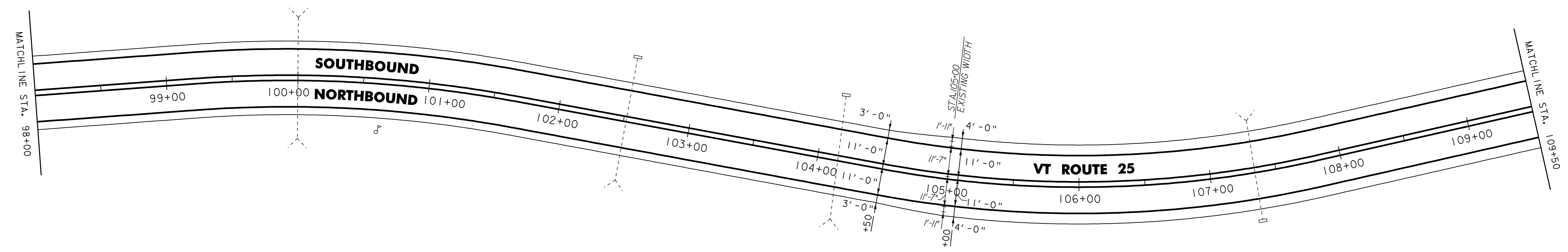


646.20
~~646.402 DURABLE~~ 4 INCH WHITE LINE, THERMOPLASTIC
 STA. 98+00 TO 109+50, SOLID LT & RT

646.602 TEMPORARY 4 INCH WHITE LINE, PAINT
 STA. 98+00 TO 109+50, SOLID LT & RT

646.21
~~646.412 DURABLE~~ 4 INCH YELLOW LINE, THERMOPLASTIC
 STA. 98+00 TO 109+50, SOLID LT & RT

646.612 TEMPORARY 4 INCH YELLOW LINE, PAINT
 STA. 98+00 TO 109+50, SOLID LT & RT



- NOTES:
1. ALL EXISTING SIGNS NOT SHOWN SHALL BE RETAINED.
 2. FOR LEGEND, SEE LAYOUT SHEET #1

NOT TO SCALE



PROJECT LAYOUT SHEET #11

PROJECT NAME: BRADFORD - ORANGE	FILE NAME: p99b178.dgn	PLOT DATE: 28-MAY-2010 13:4
PROJECT NUMBER: S1P_2213(I)	PROJECT LEADER: JLL	DRAWN BY: STANTEC
	DESIGNED BY: STANTEC	CHECKED BY: JLL
	IPARM FILE: p99b178i1.i	SHEET 28 OF 84