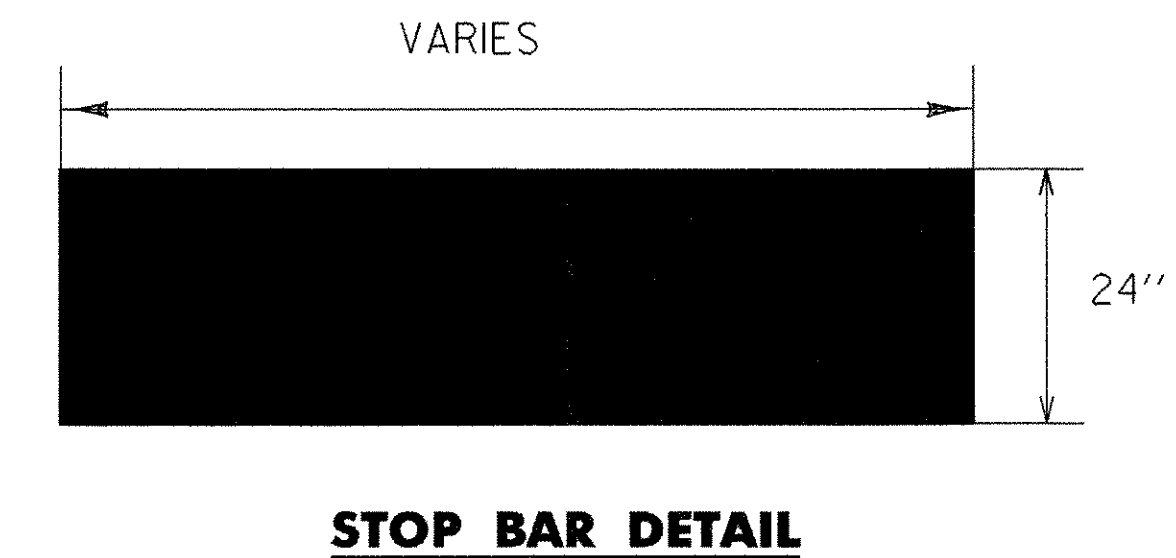
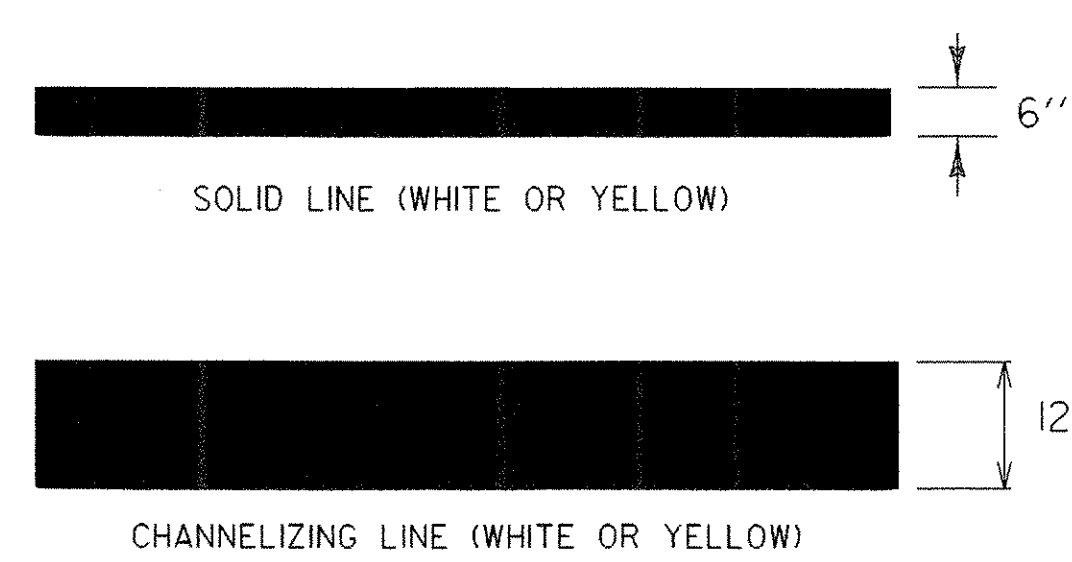
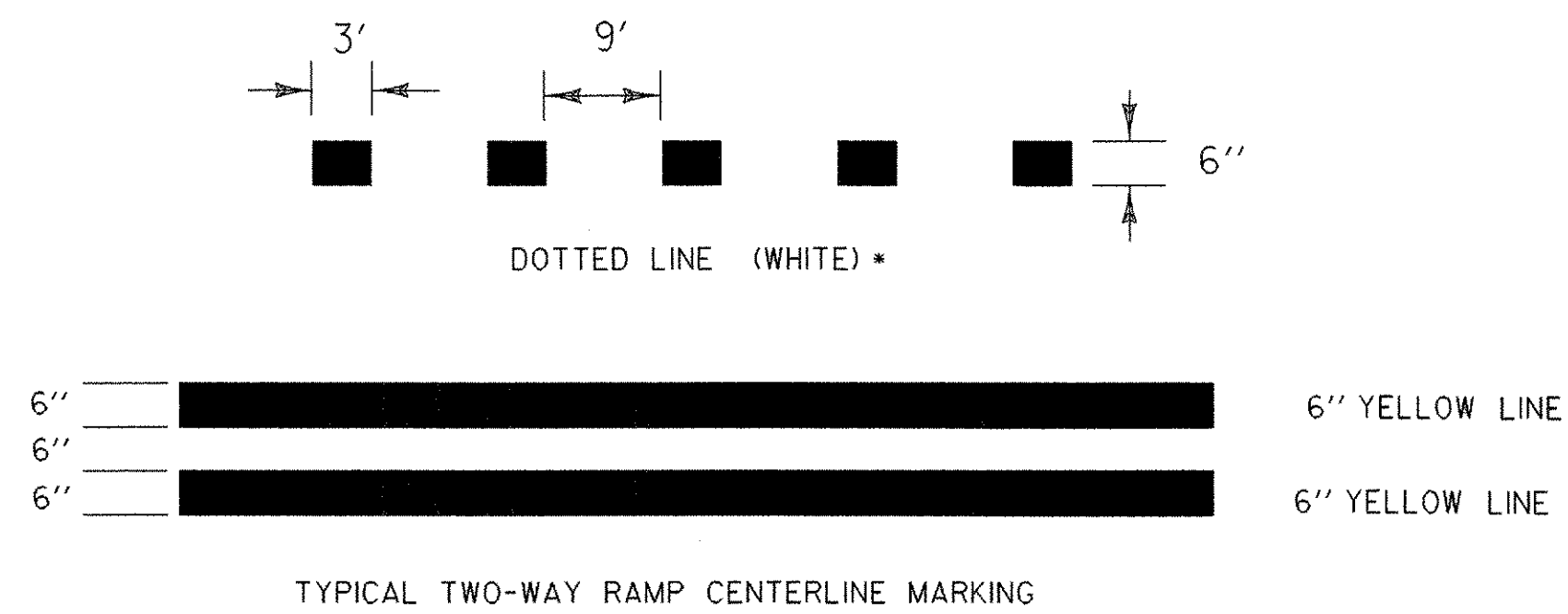


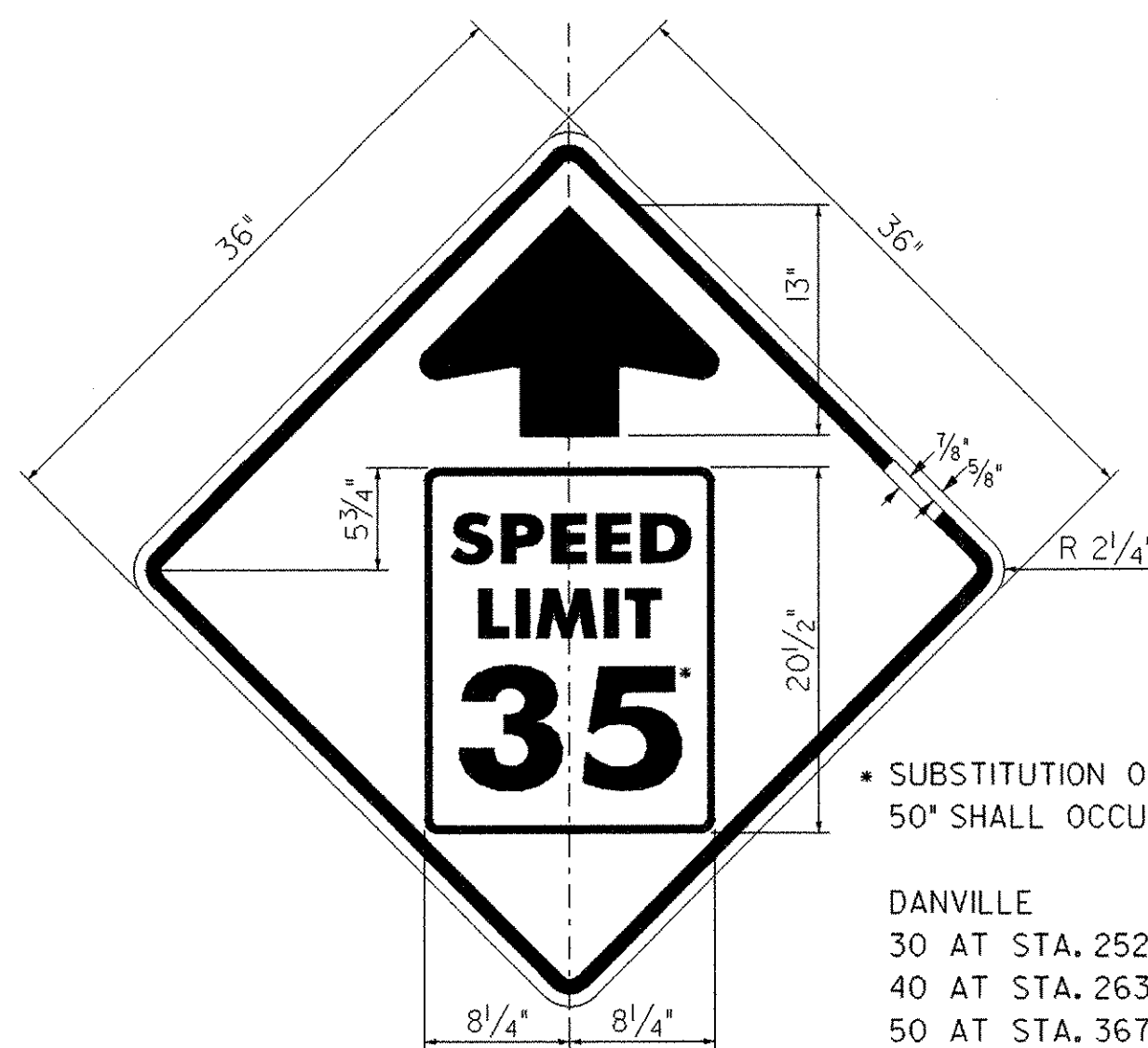
• TO BE INSTALLED ONLY AT THE DIRECTION OF THE RESIDENT ENGINEER



PAVEMENT MARKING LINE DETAILS

NOTES:

1. THE DURABLE 6" WHITE AND YELLOW RECESSED LINES AND THE DURABLE 12" WHITE AND YELLOW RECESSED LINES SHALL BE USED AT THE LOCATIONS INDICATED ON THE PROJECT LAYOUT SHEETS.
2. SEE VTRANS STANDARD E-193 FOR OTHER PAVEMENT MARKING LINE DETAILS.



• SUBSTITUTION OF *35* WITH *30, 40* AND *50* SHALL OCCUR AT THE FOLLOWING LOCATIONS:

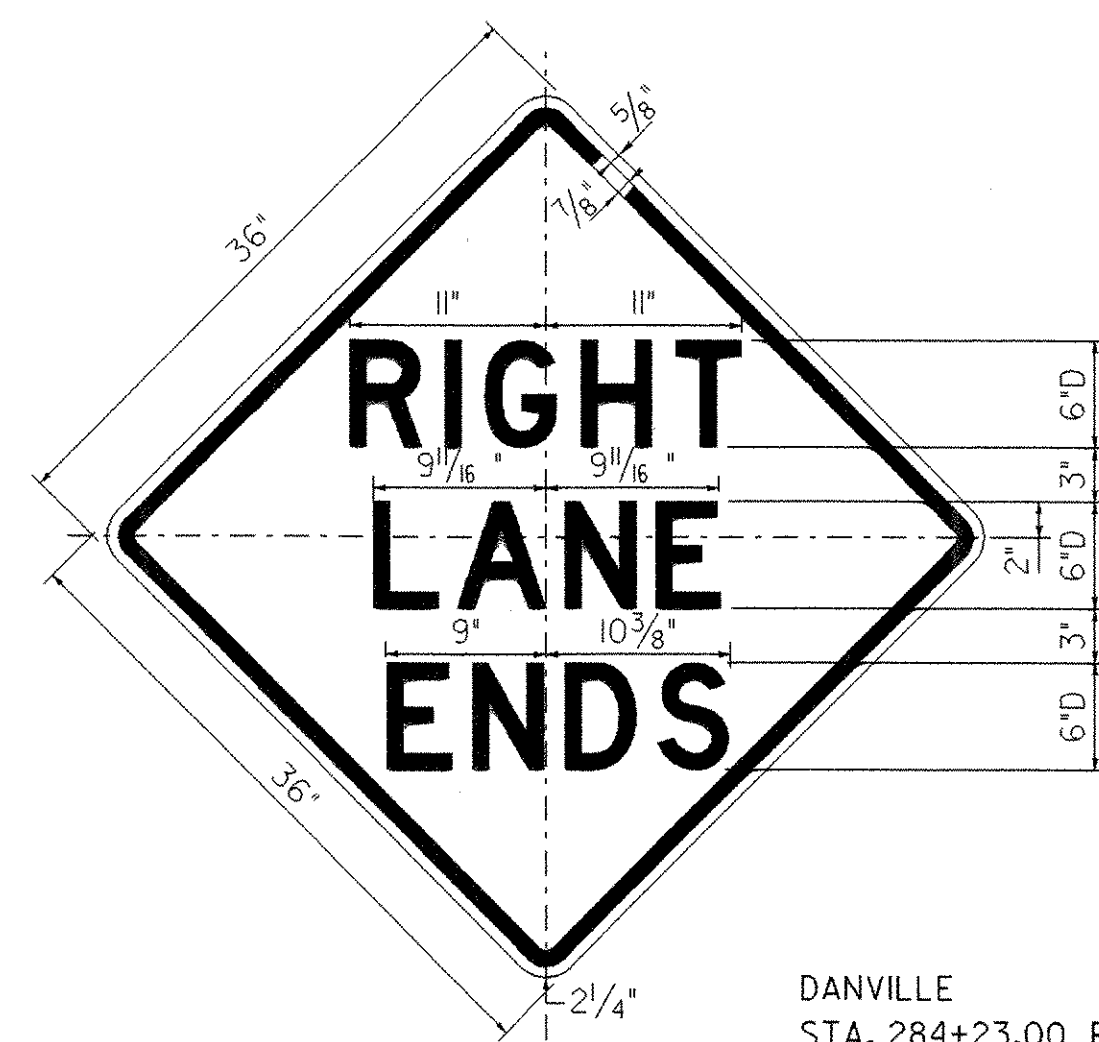
- DANVILLE
- 30 AT STA. 252+06.43 LT
 - 40 AT STA. 263+30.39 LT
 - 50 AT STA. 367+24.37 LT (48" x 48")
- ST. JOHNSBURY
- 30 AT STA. 132+68.67 RT

W3-5

BORDER & ARROW - BLACK

SYMBOL - INSERT R2-1

BACKGROUND - YELLOW (RETROREFLECTIVE)

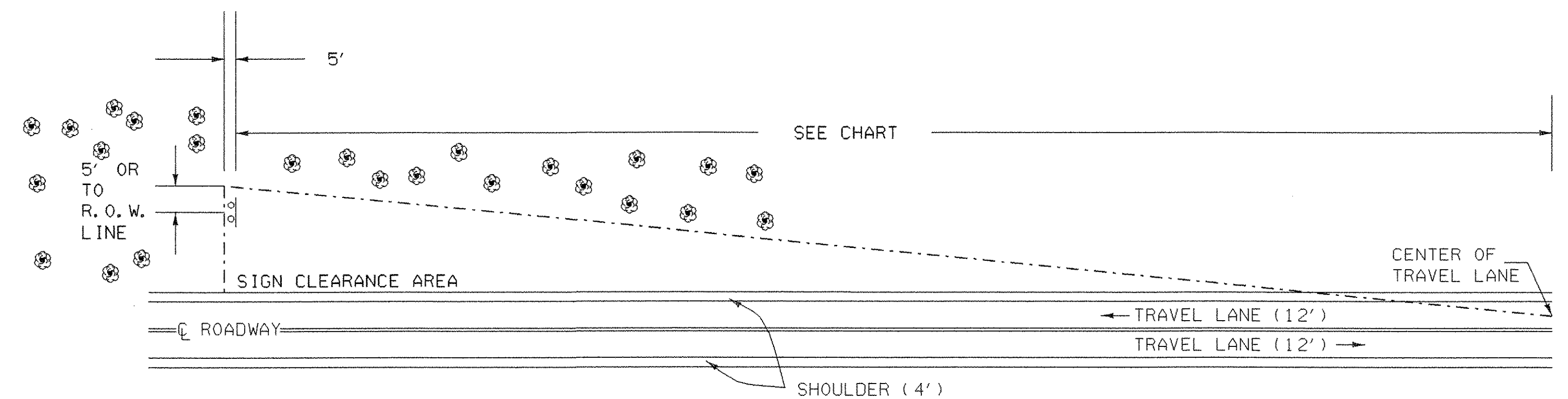


DANVILLE

- STA. 284+23.00 RT
- STA. 292+50.00 LT

W9-IR

COLORS: THE SIGN SHALL HAVE BLACK TEXT AND BORDER ON A REFLECTORIZED YELLOW BACKGROUND.



MINIMUM SIGN SIGHT DISTANCE CHART

APPROACH SPEED (mph)	SIGHT DISTANCE (feet)
30 OR LESS	300
35	350
40	400
45	450
50	500
55	550

THE CONTRACTOR SHALL REMOVE ALL WOODY STEMMED GROWTH INCLUDING BRUSH, SAPLINGS, TREE LIMBS GROWING WITHIN OR PROJECTING INTO THE CLEARANCE AREA AND DOWN TO GROUND LEVEL. PAYMENT WILL BE FOR THINNING AND TRIMMING FOR SIGNS, ITEM 201.31, AND PAID FOR PER EACH. NO CHEMICALS (POISONS OR DEFOLIANTS) ALLOWED.

THINNING AND TRIMMING FOR SIGNS DETAIL

ALL DETAILS NOT TO SCALE

SIGN AND MISCELLANEOUS DETAIL SHEET

PROJECT NAME: DANVILLE - ST. JOHNSBURY

PROJECT NUMBER: NH 2501(1)S

FILE NAME: pave/05b034/05b034

PROJECT LEADER: EPD

DESIGNED BY: JDA

PLOT FILE: 05b034+sl3.l

PLOT DATE: 12-JAN-2007

DRAWN BY: JAR

CHECKED BY: EPD

SHEET 60 OF 63