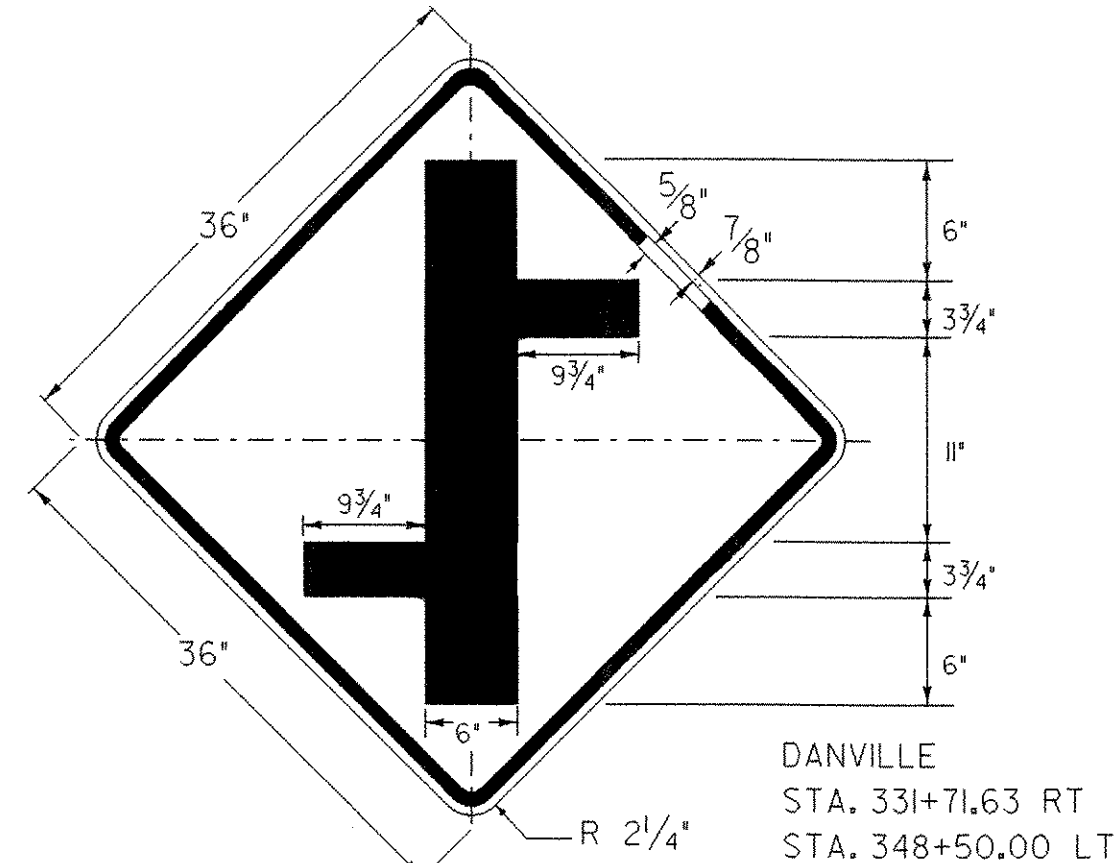


DANVILLE
STA. 313+65.31 RT

W14-2

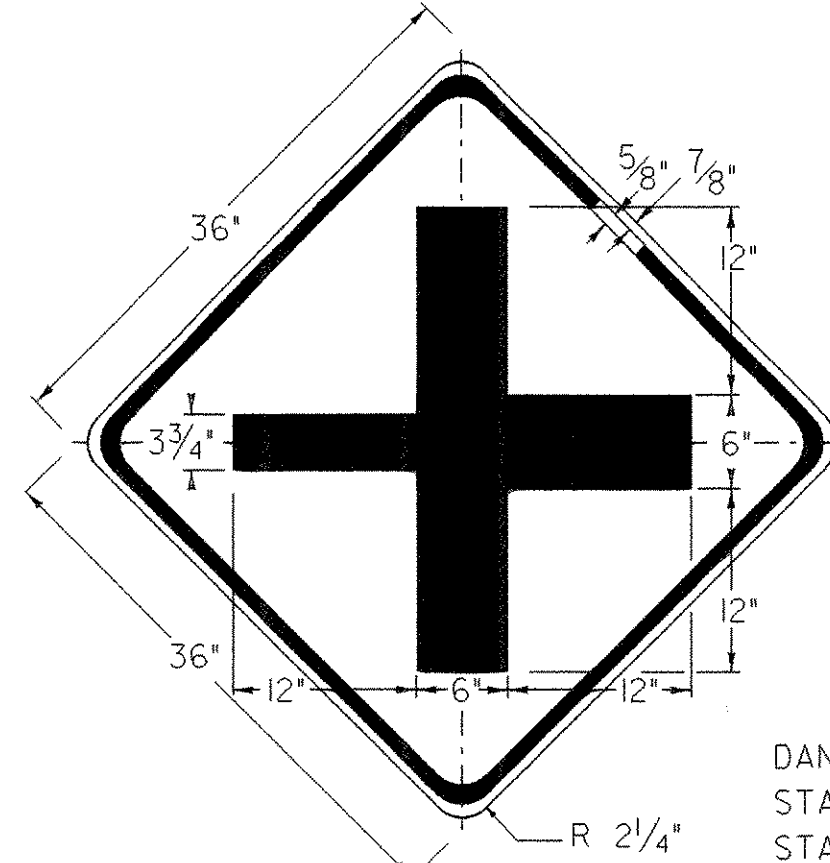
COLORS: THE SIGN SHALL HAVE BLACK TEXT AND BORDER ON A REFLECTORIZED YELLOW BACKGROUND.



DANVILLE
STA. 331+71.63 RT
STA. 348+50.00 LT

W2-1Me

COLORS: THE SIGN SHALL HAVE BLACK TEXT AND BORDER ON A REFLECTORIZED YELLOW BACKGROUND.



DANVILLE
STA. 378+50.00 RT (SMALL SIDE LEFT)
STA. 398+50.00 LT (SMALL SIDE RIGHT)

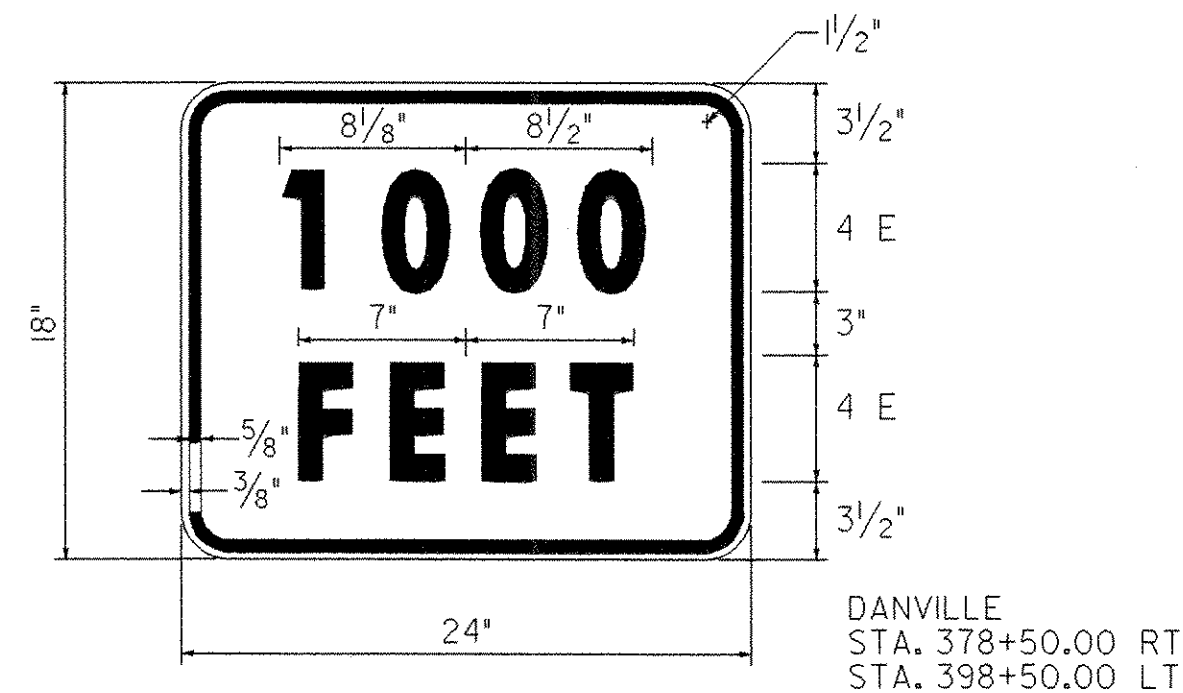
W2-1Ma

COLORS: THE SIGN SHALL HAVE BLACK TEXT AND BORDER ON A REFLECTORIZED YELLOW BACKGROUND.



COLORS: THE SIGN SHALL HAVE REFLECTORIZED WHITE TEXT AND BORDER ON A BLUE BACKGROUND.

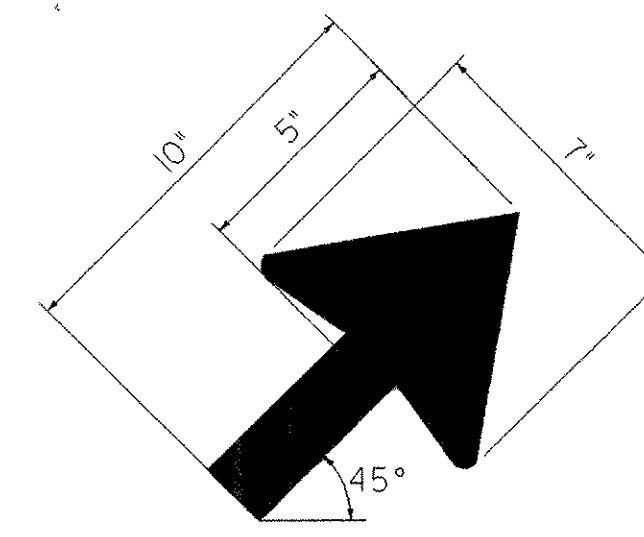
DANVILLE
STA. 279+19.14 RT
STA. 306+24.00 LT



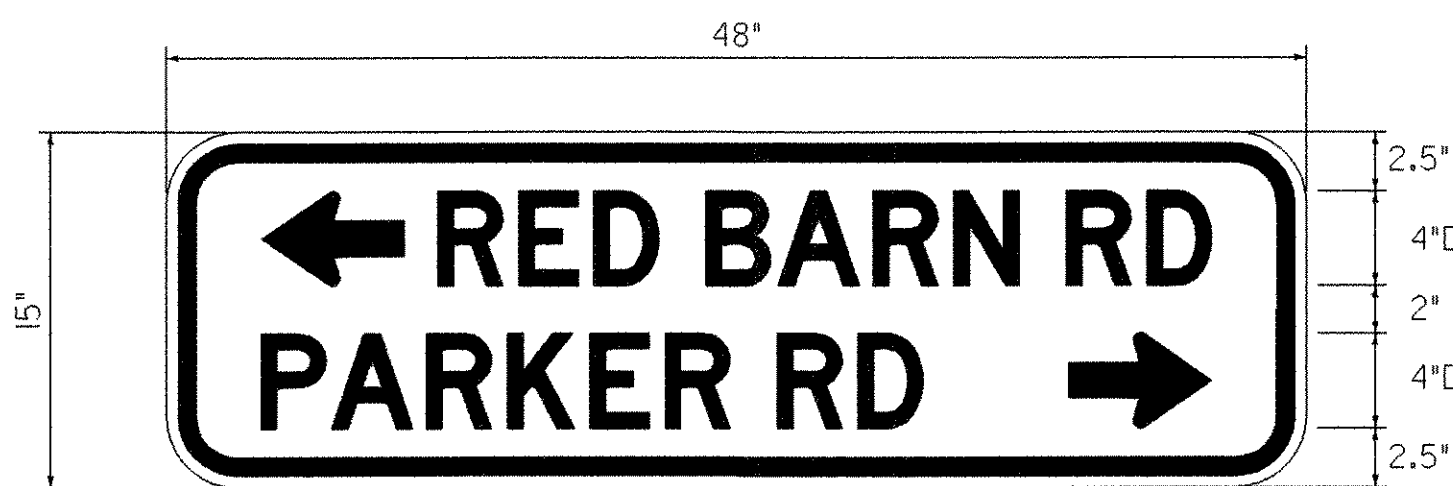
DANVILLE
STA. 378+50.00 RT
STA. 398+50.00 LT

VP-136

COLORS: THE SIGN SHALL HAVE BLACK TEXT AND BORDER ON A REFLECTORIZED YELLOW BACKGROUND.



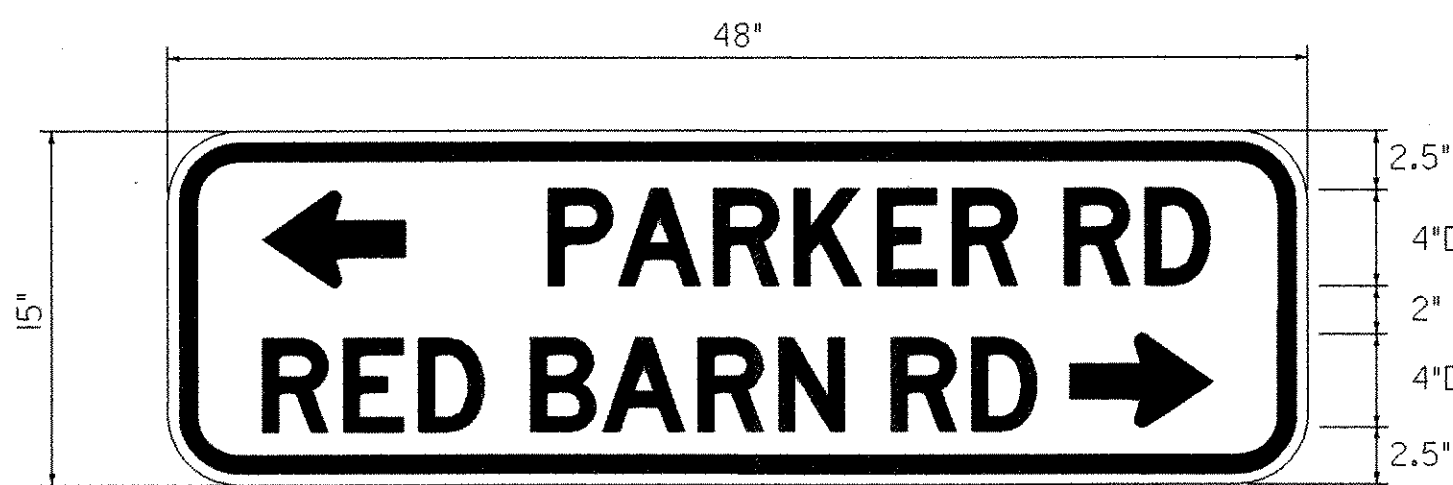
ARROW DETAIL AT 45°



W16-8a

DANVILLE
STA. 331+71.63 RT

BORDER
R = 3.0"
TH = 0.75"
IN = 0.50"
COLOR: THE SIGN SHALL HAVE BLACK TEXT AND BORDER ON A RETROFLECTIVE YELLOW BACKGROUND.



W16-8a

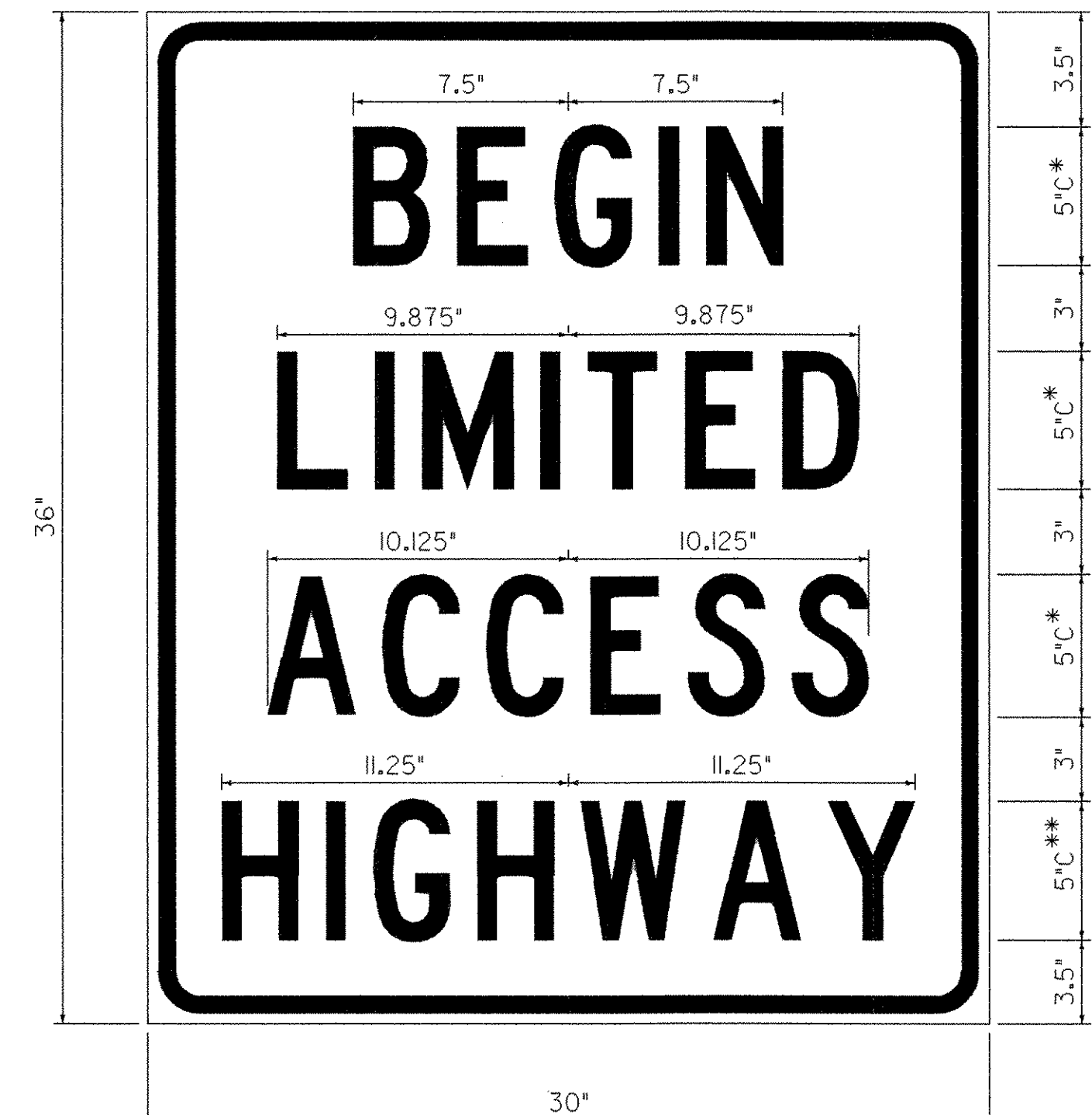
DANVILLE
STA. 348+50.00 LT

BORDER
R = 3.0"
TH = 0.75"
IN = 0.50"
COLOR: THE SIGN SHALL HAVE BLACK TEXT AND BORDER ON A RETROFLECTIVE YELLOW BACKGROUND.



COLORS: THE SIGN SHALL HAVE REFLECTORIZED WHITE TEXT AND BORDER ON A BLUE BACKGROUND.

DANVILLE
STA. 283+98.07 RT "RIGHT ARROW"
STA. 297+46.90 LT "LEFT ARROW"



COLORS: THE SIGN SHALL HAVE BLACK TEXT AND BORDER ON A REFLECTORIZED WHITE BACKGROUND.
* REDUCE TO 90% SPACING
** REDUCE TO 80% SPACING

VR-634 (BEGIN)
VR-633 (END)

DANVILLE
STA. 360+42.89 LT (END)
STA. 360+44.68 RT (BEGIN)
ST. JOHNSBURY
STA. 141+77.63 RT (END)
STA. 142+00.00 LT (BEGIN)

**SIGN
DETAIL SHEET**

PROJECT NAME: DANVILLE - ST. JOHNSBURY
PROJECT NUMBER: NH 2501(I)S

FILE NAME: pave/05b034/05b034
PROJECT LEADER: EPD
DESIGNED BY: JDA
PLOT FILE: 05b034+sl2.1

PLOT DATE: 12-JAN-2007
DRAWN BY: JAR
CHECKED BY: EPD
SHEET 59 OF 63

ALL DETAILS NOT TO SCALE