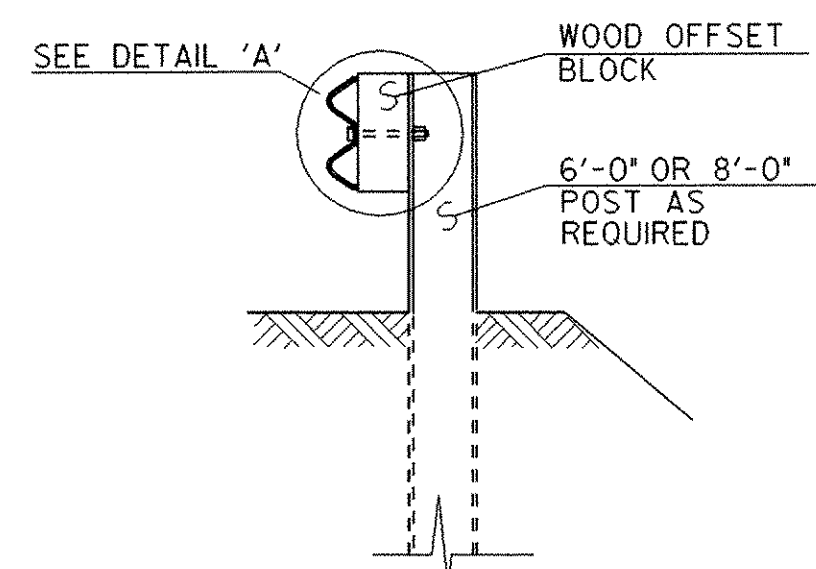
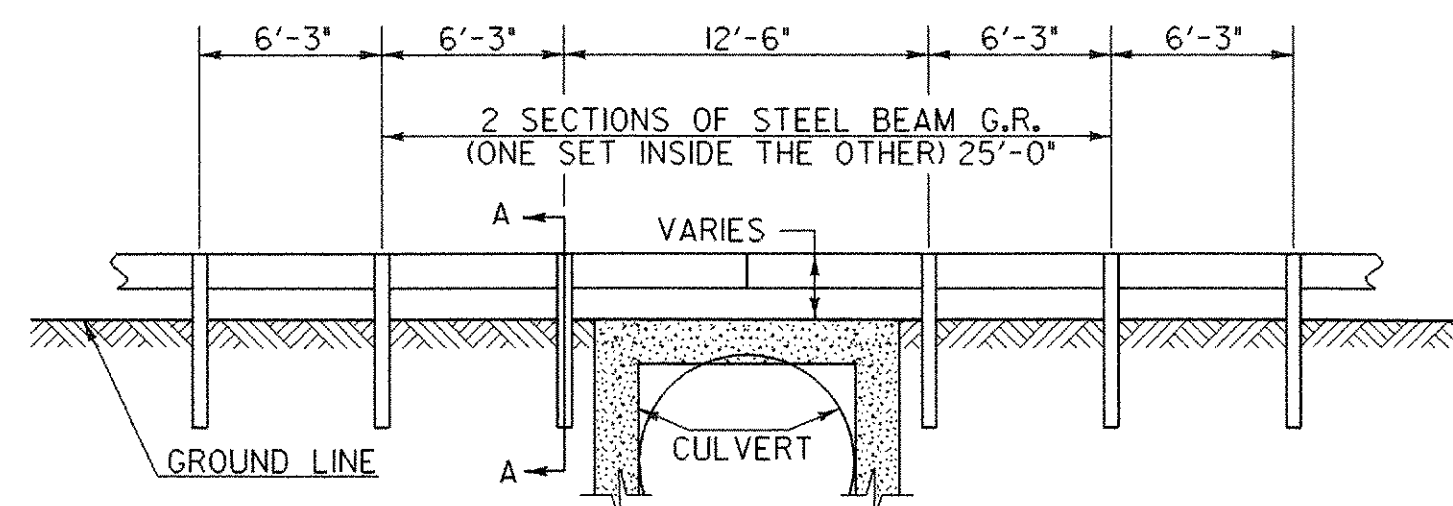


DETAIL A
NOT TO SCALE



SECTION A-A
NOT TO SCALE

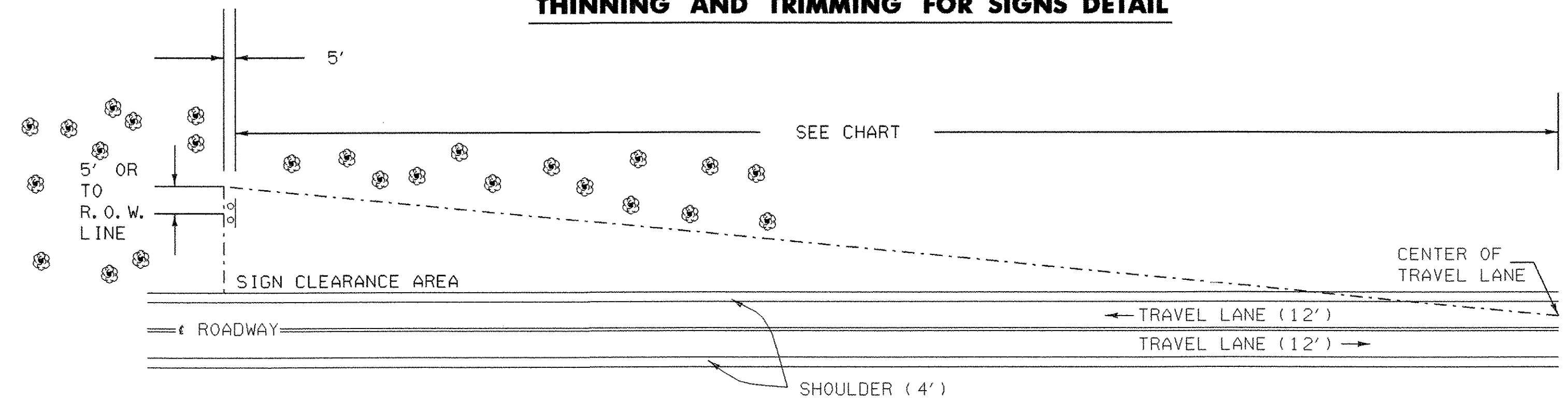


**DETAIL OF STEEL BEAM GUARDRAIL
AT SMALL CULVERTS**
BRIDGE NO. 93
STA. 158+61.55

NOTES

1. SEE STANDARD G-IFOR STEEL BEAM GUARDRAIL DETAILS.
2. THIS WORK SHALL BE PAID UNDER ITEM 621.20 STEEL BEAM GUARDRAIL, GALVANIZED AT A PAY FACTOR OF 1.0.
3. THIS DETAIL TO BE USED AS INDICATED AT BRIDGE NO. 93 OR AS DIRECTED BY THE RESIDENT ENGINEER.

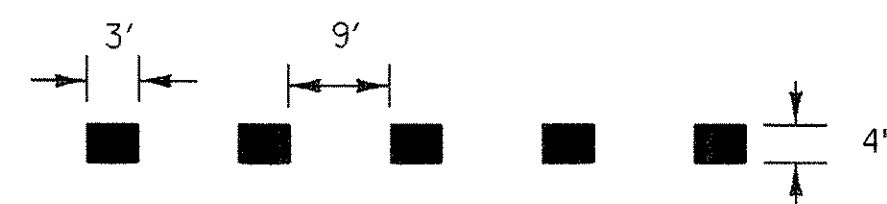
THINNING AND TRIMMING FOR SIGNS DETAIL



THE CONTRACTOR SHALL REMOVE ALL WOODY STEMMED GROWTH INCLUDING BRUSH, SAPLINGS, TREE LIMBS GROWING WITHIN OR PROJECTING INTO THE CLEARANCE AREA AND DOWN TO GROUND LEVEL. PAYMENT WILL BE FOR THINNING AND TRIMMING FOR SIGNS, ITEM 201.31 AND PAID FOR PER EACH. NO CHEMICALS (POISONS OR DEFOLIANTS) ALLOWED.

MINIMUM SIGN SIGHT DISTANCE CHART

APPROACH SPEED (mph)	SIGHT DISTANCE (feet)
30 OR LESS	300
35	350
40	400
45	450
50	500
55	550



DOTTED LINE (WHITE) DETAIL

ALL DETAILS NOT TO SCALE

**MISCELLANEOUS
DETAIL
SHEET 2**

PROJECT NAME: DANVILLE
 PROJECT NUMBER: NH 2205 (1)S
 FILE NAME: pave/99b162/99b162
 PROJECT LEADER: EPD
 DESIGNED BY: JDA
 PLOT FILE: 99B162d+02.1
 PLOT DATE: 12-JAN-2007
 DRAWN BY: SJB
 CHECKED BY: EPD
 SHEET 22 OF 63