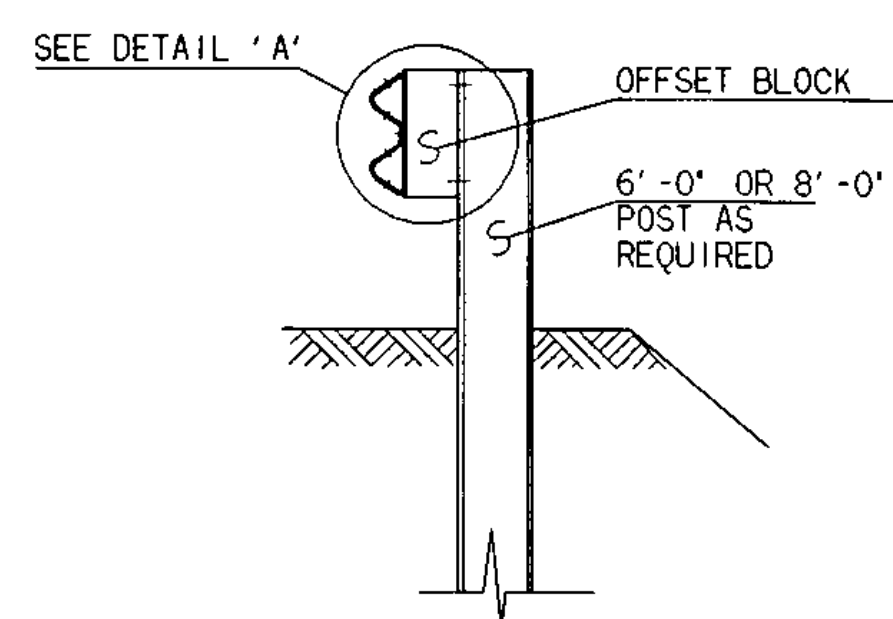
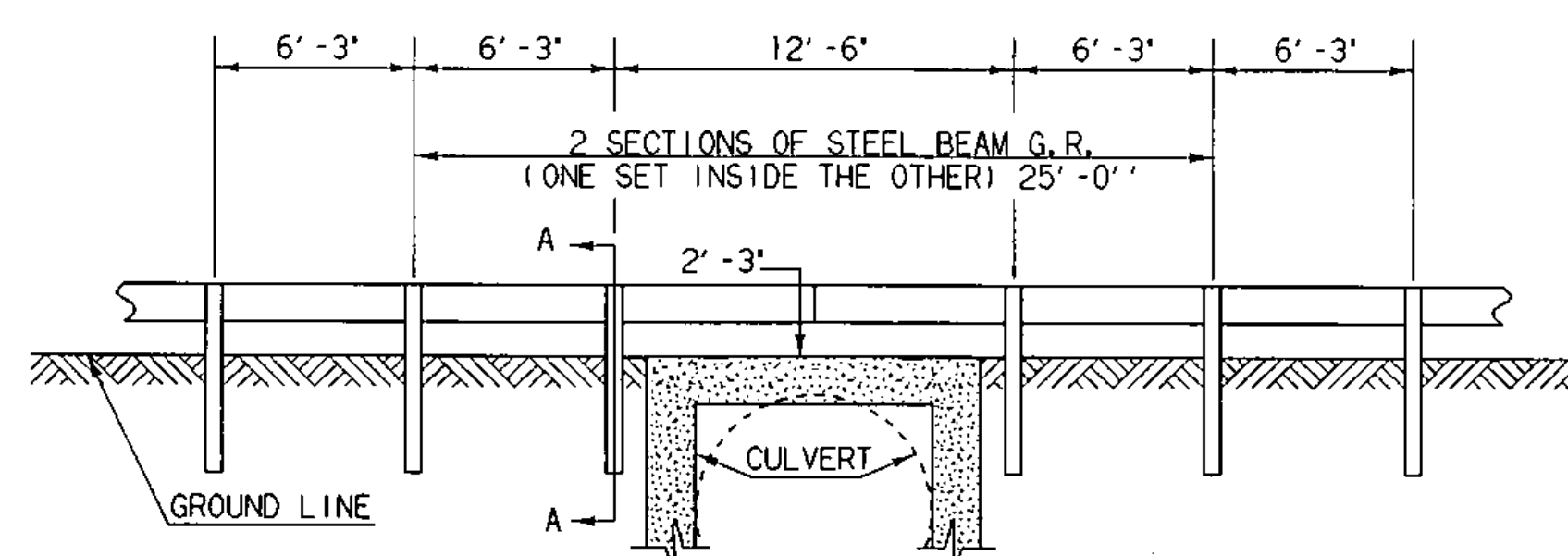


2 SECTIONS OF STEEL BEAM
GUARD RAIL (ONE SECTION
INSIDE THE OTHER)

DETAIL A



SECTION A-A

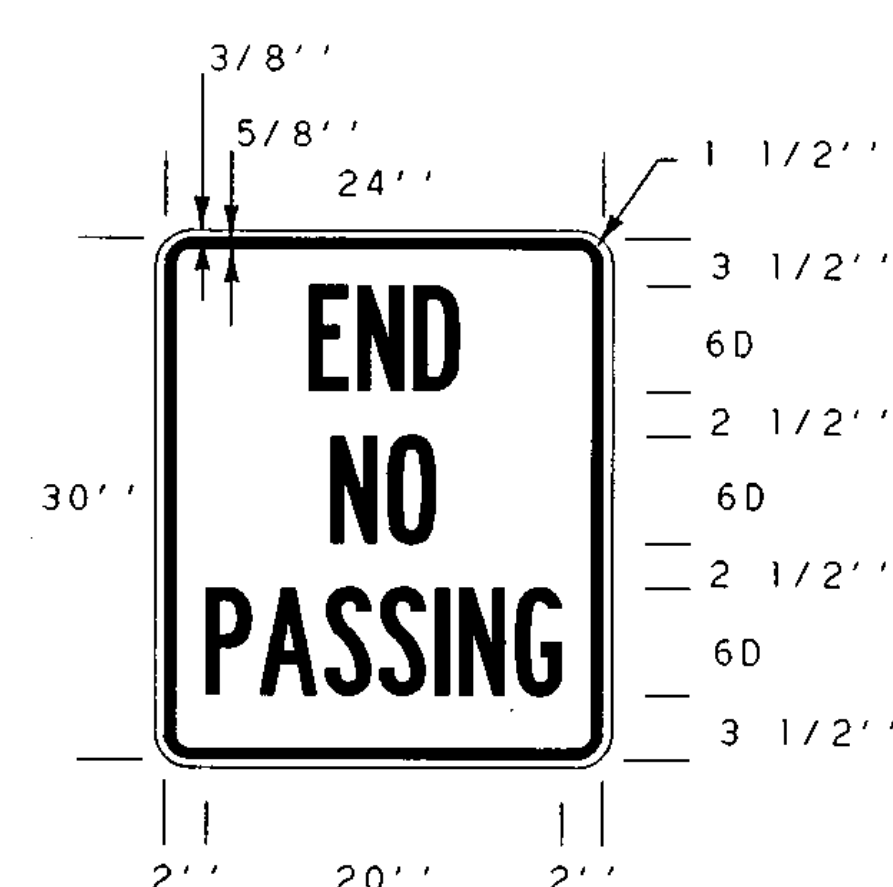
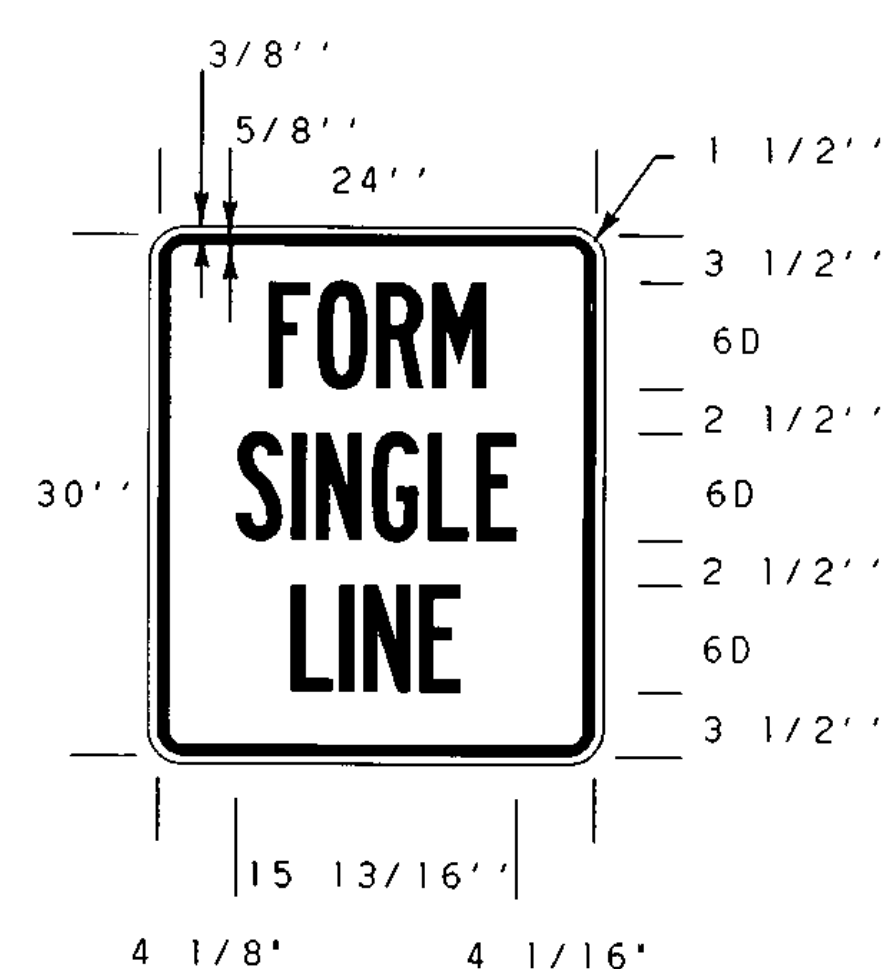
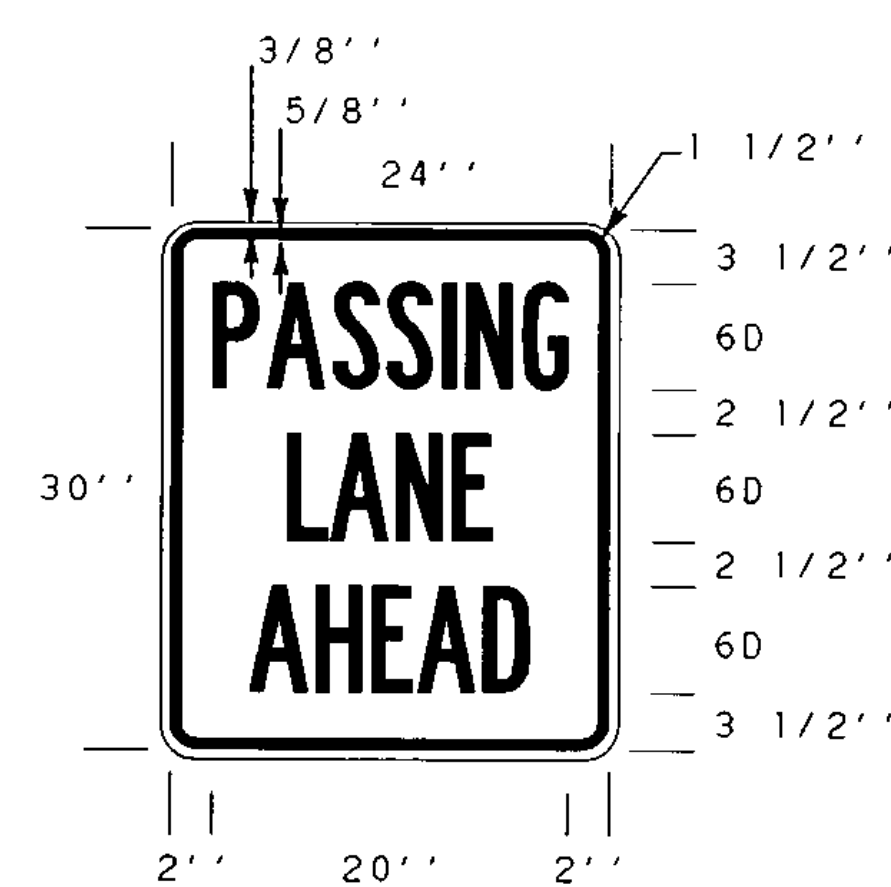


DETAIL OF STEEL BEAM GUARD RAIL AT SMALL CULVERTS

BRIDGE NUMBERS 56A, 56B, AND 59

NOTES

1. SEE STANDARD G-1 & G-1D FOR STEEL BEAM GUARD RAIL DETAILS.
2. THIS WORK SHALL BE PAID UNDER ITEM 621.20, STEEL BEAM GUARD RAIL, OR 621.21 HEAVY DUTY STEEL BEAM GUARD RAIL AT A PAY FACTOR OF 1.0.
3. THIS DETAIL TO BE USED AS INDICATED ON THE ITEM DETAIL AND DRAINAGE SHEET OR AS DIRECTED BY THE ENGINEER.



SEE STANDARD E- 140 FOR MATERIALS AND COLORS

MISCELLANEOUS DETAILS	PROJECT: DORSET-MT TABOR-DANBY	PROJECT NO.: NH 2132 (1) S
	DESIGN FILE NAME: /pave/93b080a/pb080.dgn	PLOT DATE: 13-AUG-1999
	IPARM FILE NAME: pb080md.1	SURVEY DATE: N/A
	SURVEYED BY: N/A	DRAWN BY: S.JL
	SQUAD LEADER: JAV	SHEET: 18 OF 19