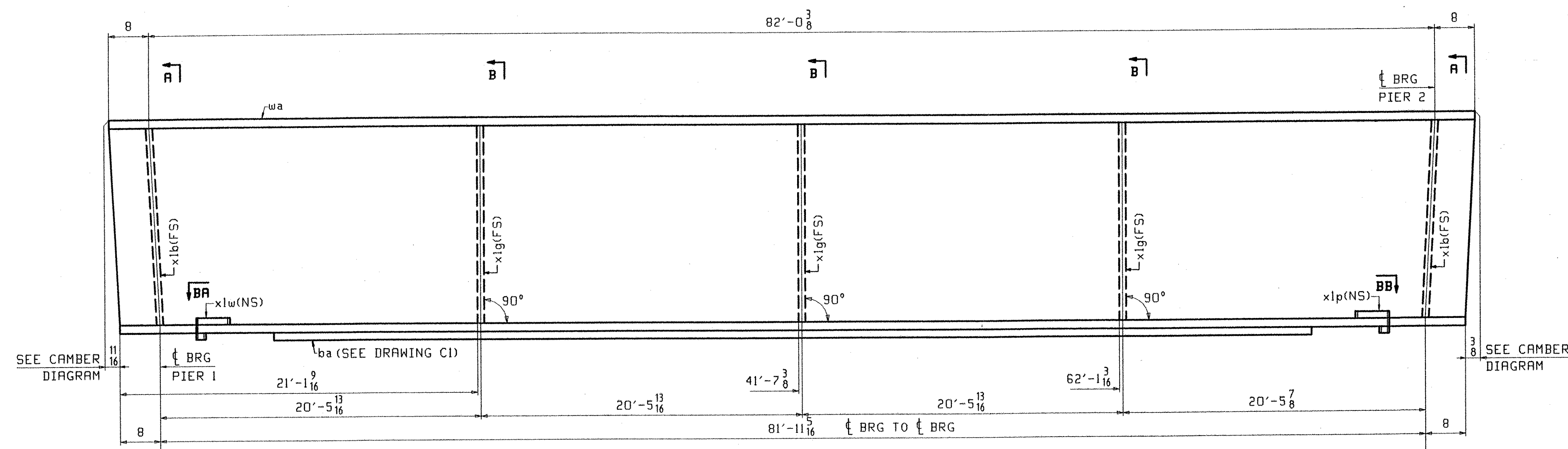
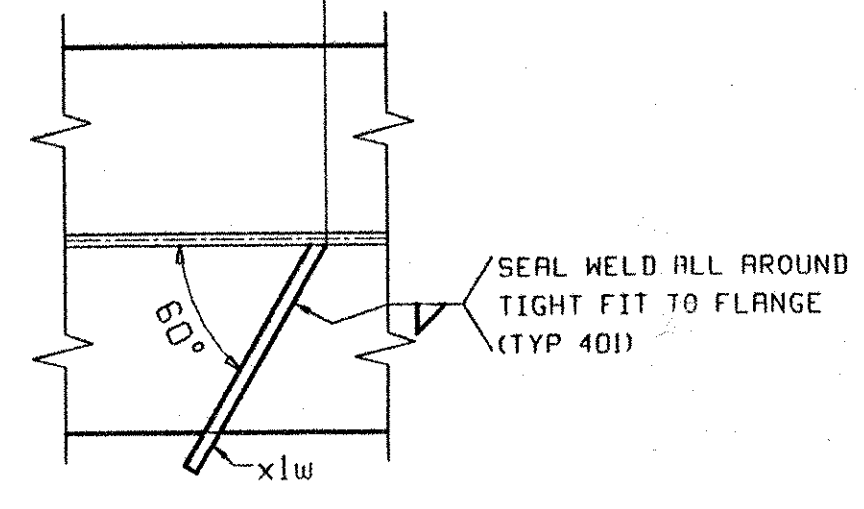


ABM INFO		BILL OF MATERIAL				JOB NO.	DRAWING NO.	REV.	
PAGE	LINE	MARK	QTY	MARK	MATERIAL	LENGTH FT INCHES	REMARKS	WT	PROCUREMENT NOTES
		6G6B	1		STRINGER			13612	
1	A		1	wa	W 36x135	83 4 3/8	(M270-50WT2) (H2-3)		
1	G		1	ba	PL 1x9	72 0	(M270-50WT2) (H2-3)		
2	G		2	x1b	PL 1/2x8	2 9 7/8	FLG		
2	C		3	x1g	PL 1/2x5	2 9 7/8			
2	N		1	x1p	PL 1/4x3	0 8 1/16			
2	N		1	x1w	PL 1/4x3	0 8 9/16			

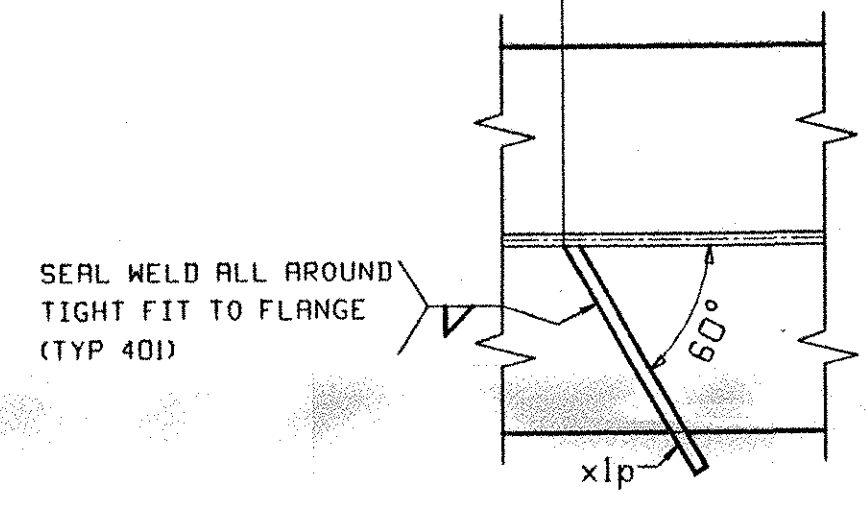


**ONE - STRINGER - 6G6B**

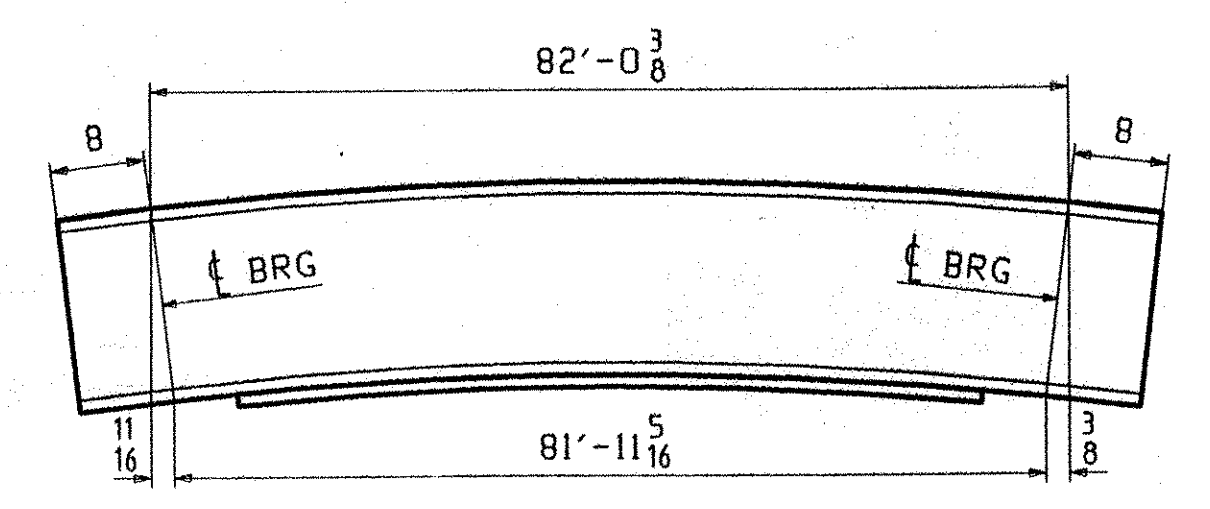
FOR STRINGER STANDARD DETAILS SEE DRAWING XI.  
 FOR CAMBER DIAGRAM SEE DRAWING C1.  
 FOR GENERAL NOTES SEE DRAWING GNI.  
 H2-3 DENOTES MATERIAL SUBJECT TO CHARPY V-NOTCH TESTING.



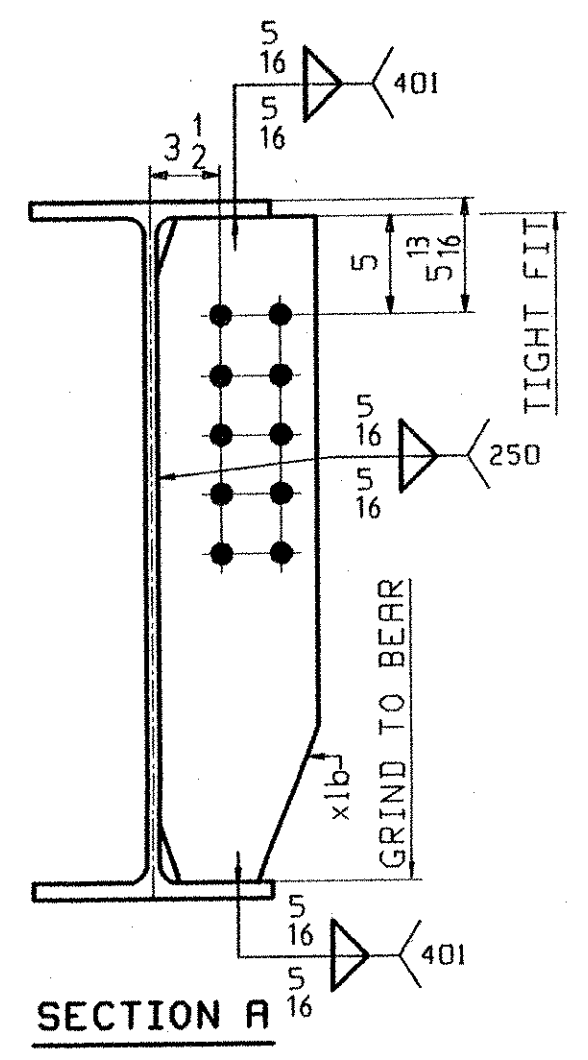
**SECTION BA**



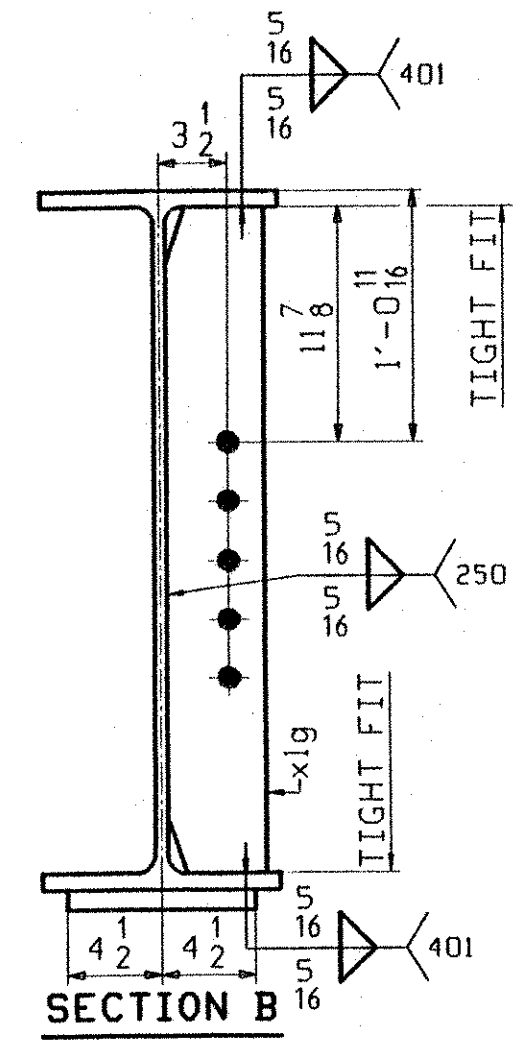
**SECTION BB**



**ORIENTATION DIAGRAM**  
SEE DWG C1



**SECTION A**



**SECTION B**

*APPROVED 4-8-04*

OUT FOR APPROVAL	3-18-04										
OUT FOR APPROVAL											
ISSUED TO SHOP	4-7-04										
FIELD & OFFICE											
REV.	REMARKS	DATE	DWN	CHK	APP	Q.A.	NO.	DIA.	LGT	TYPE	WASHER
MATERIAL:		ELECTRODES:		HOLES:		SHOP BOLTS:					
M270-50W				15 1/16"							
SURFACE PREP. & PAINT: SEE DRAWING GNI											
ALL STEEL WITHIN 6'-0 OF PIERS 1 & 2 SHALL BE PAINTED IN ACCORDANCE WITH THE NOTES ON GNI.											
DESCRIPTION: STRINGER - 6G6B										DRAWN BY	DATE
JOB: CENTER ST (ALT VT 122) OVER THE PASSUMPSIC RIVER										JTB	02/20
BRIDGE NO. 2, PROJ BHO 1447(26)										CHKD BY	
LYNDON, VT (CALEDONIA COUNTY)										LF	03/15
CONTRACTOR: AUSTIN CONSTRUCTION										APPROV BY	
PROJ NO. BHO 1447 (26)										W. J. GRITTI	
CUSTOMER: VERMONT A. O. T.										Q.A.	
<b>CASCO BAY STEEL STRUCTURES, INC.</b>										JOB NO.	DRG. NO.
75 SPRING HILL ROAD SACO, MAINE 04072										227	6
PHONE (207) 282-7360 FAX. (207) 282-1179										REV.	△

L7 Rev 1/04 15 03/04/05 EST 2004 - 04/08/04/05/06/07/08/09/10/11/12/13/14/15/16/17/18/19/20/21/22/23/24/25/26/27/28/29/30/31/32/33/34/35/36/37/38/39/40/41/42/43/44/45/46/47/48/49/50/51/52/53/54/55/56/57/58/59/60/61/62/63/64/65/66/67/68/69/70/71/72/73/74/75/76/77/78/79/80/81/82/83/84/85/86/87/88/89/90/91/92/93/94/95/96/97/98/99/100