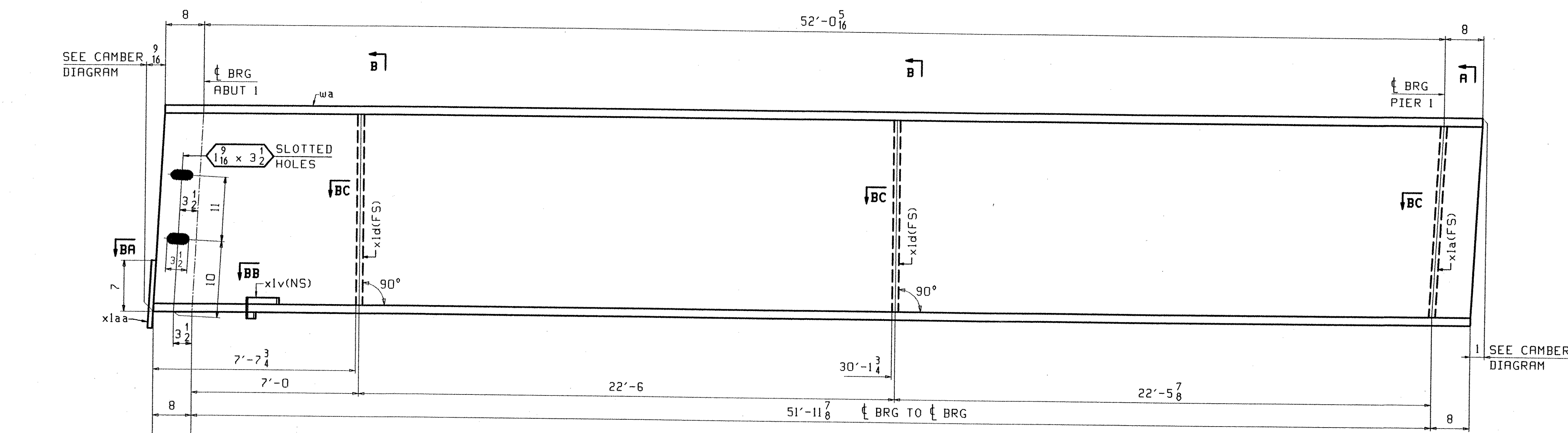
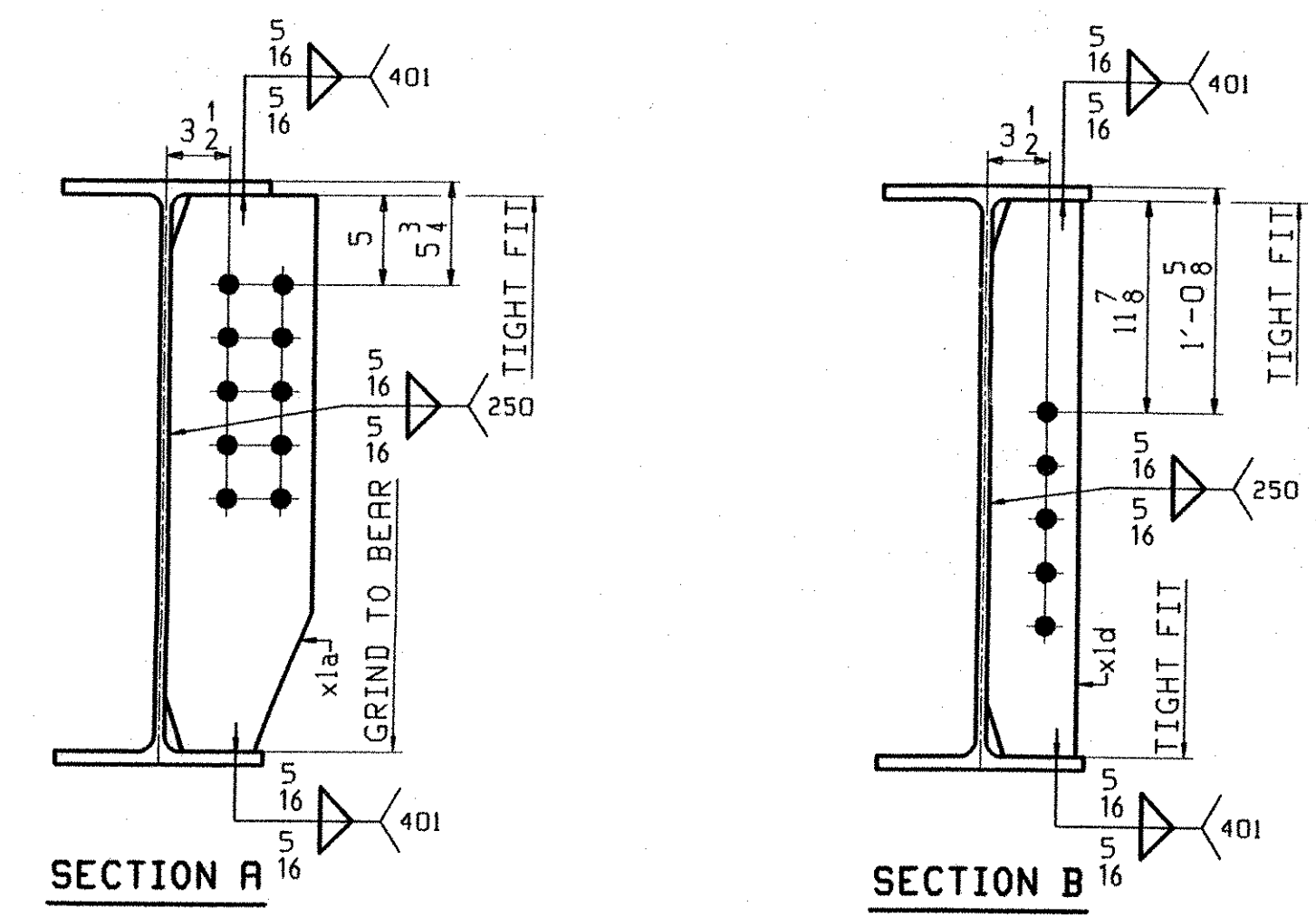
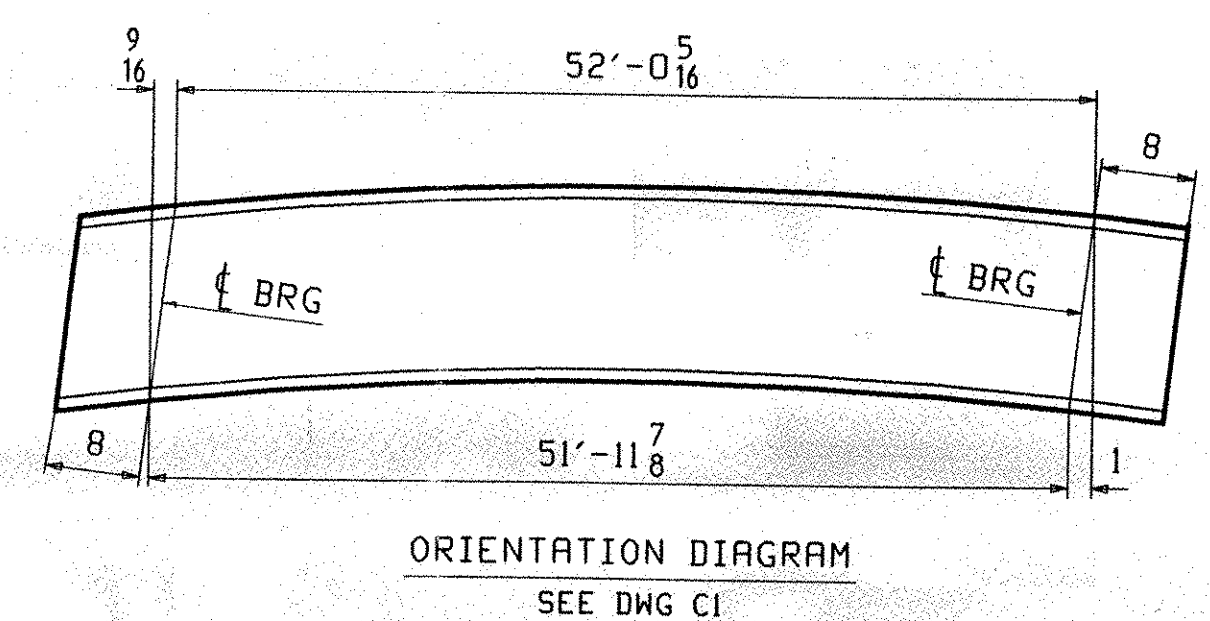
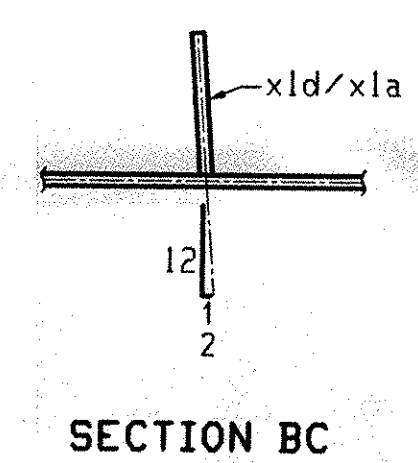
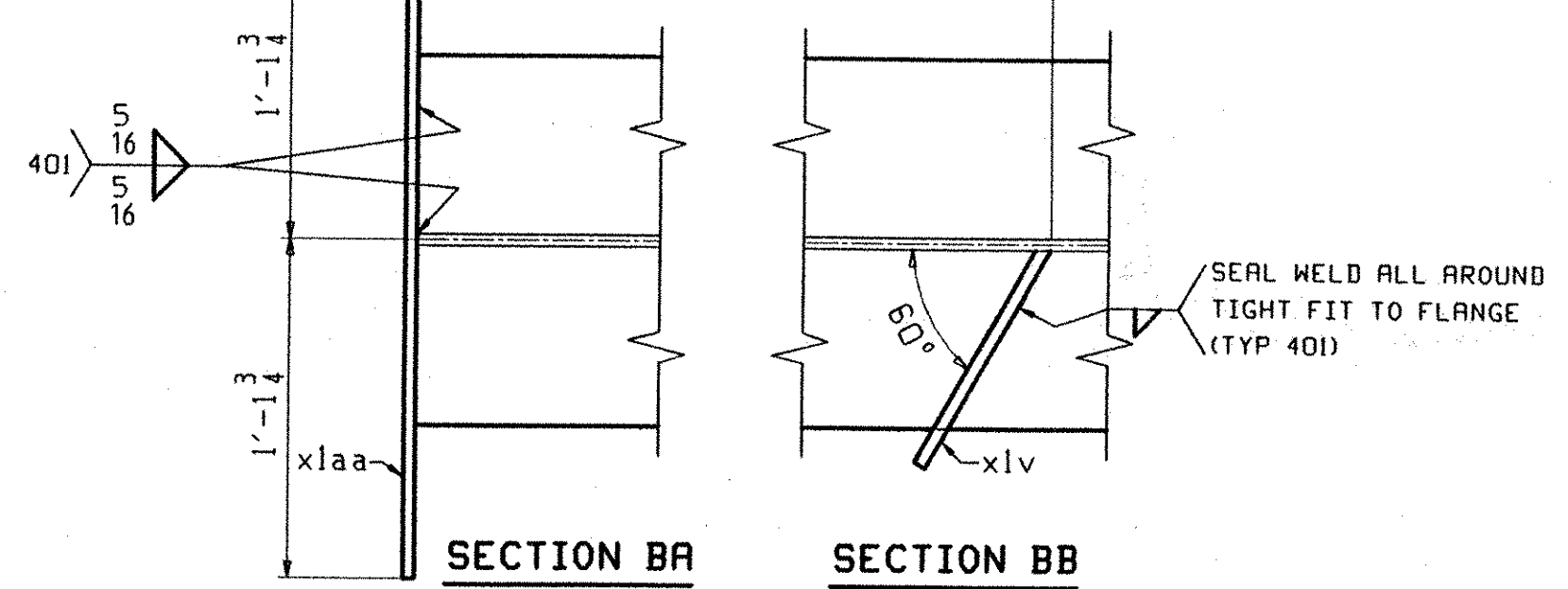


ABM INFO		SHIP	BILL OF MATERIAL				JOB NO.	DRAWING NO.	REV.
PAGE	LINE	MARK	QTY	MARK	MATERIAL	LENGTH FT INCHES	REMARKS	WT	PROCUREMENT NOTES
		3G6A	1		STRINGER				6402
1	C		1	wa	M 33x118	53' 7/8	(M270-50WT2) (H2-3)		
2	B		2	xld	PL 1/2x5	2' 7/8			
2	F		1	xla	PL 1/2x8	2' 7/8	FIE		
2	N		1	xlv	PL 1/2x3	0' 8/16			
2	K		1	xlaa	PL 1/2x9 1/2	2' 3/2			



**ONE - STRINGER - 3G6A**

FOR STRINGER STANDARD DETAILS SEE DRAWING XI.  
 FOR CAMBER DIAGRAM SEE DRAWING CI.  
 FOR GENERAL NOTES SEE DRAWING GNI.  
 H2-3 DENOTES MATERIAL SUBJECT TO CHARPY V-NOTCH TESTING.



*APPROVED 4-8-04*

OUT FOR APPROVAL	3/18/04									
ISSUED TO SHOP	6-7-04									
FIELD & OFFICE										
App'l comm	5/10 JTB LF									
REV. REMARKS	DATE	DWN	CHK	APP	Q.A.	NO.	DIA.	LGT	TYPE	WASHER
MATERIAL:	M270-50W									
ELECTRODES:										
HOLES:	15/16 Ø									
SHOP BOLTS:										
SURFACE PREP. & PAINT: SEE DRAWING GNI										
ALL STEEL WITHIN 6'-0 OF PIERS 1 & 2 SHALL BE PAINTED IN ACCORDANCE WITH THE NOTES ON GNI.										
DESCRIPTION:	STRINGER - 3G6A				DRAWN BY	DATE				
JOB:	CENTER ST (ALT VT 122) OVER THE PASSUMPSIC RIVER				JTB	02/20				
	BRIDGE NO. 2, PROJ BHO 1447(26)				CHKD BY					
	LYNDON, VT (CALEDONIA COUNTY)				LF	03/15				
	CONTRACTOR: AUSTIN CONSTRUCTION				APPROV BY					
PROJ NO.	BHO 1447 (26)				SUPERVISOR	H. J. GATTI				
CUSTOMER:	VERMONT A. O. T.				Q.A.					
<b>CASCO BAY STEEL STRUCTURES, INC.</b>						JOB NO.	DRG. NO.			
75 SPRING HILL ROAD						SACO, MAINE 04072	227		3	
PHONE (207) 282-7360						FAX: (207) 282-1179			REV. <input type="checkbox"/>	

LUF  
 Tue May 11 08:55:44 EDT 2004  
 c:\pwworking\casco\2425231.dwg