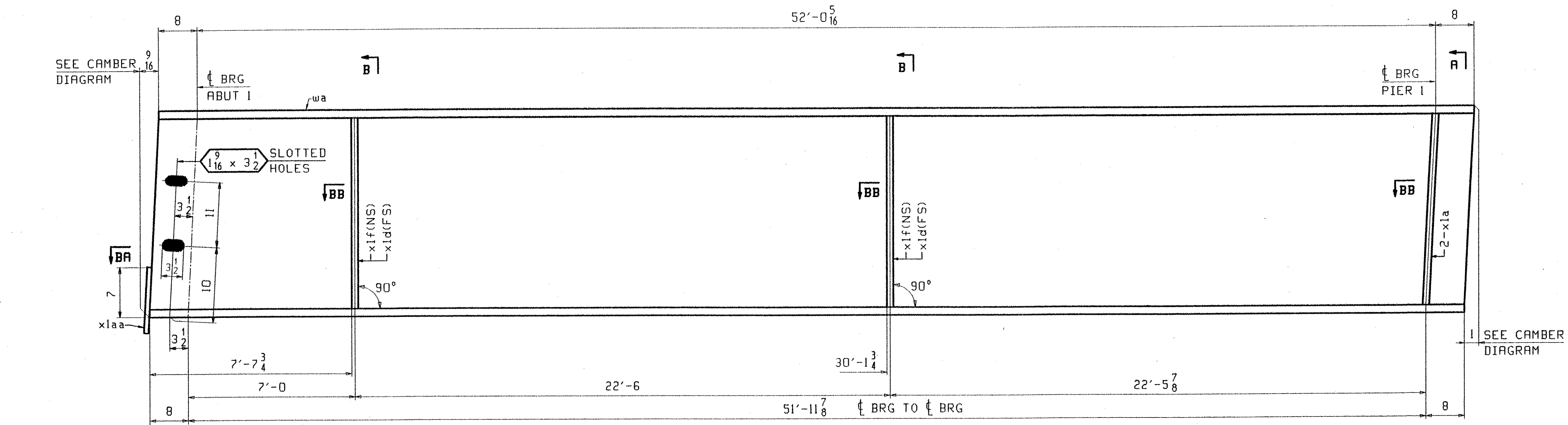
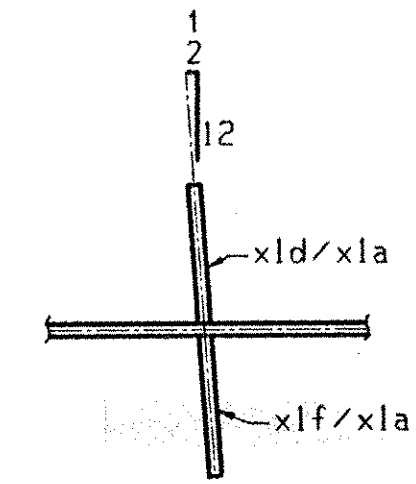


JOB NO.	DRAWING NO.	REV.	BILL OF MATERIAL			
			MARK	QTY	MATERIAL	LENGTH
REMARKS	WT	PROCUREMENT NOTES				
	2					
			2G2A	1	STRINGER	6480
			2G3A	1	STRINGER	6480
			2G4A	1	STRINGER	6480
			2G5A	1	STRINGER	6480
1	C		4 wa	W 33x118	53 4 <sup>7</sup> / <sub>8</sub>	(M220-50WT2) (H2-3)
2	B		8 xlf	PL 1/2x5	2 7 <sup>3</sup> / <sub>8</sub>	
2	B		8 xld	PL 1/2x5	2 7 <sup>3</sup> / <sub>8</sub>	
2	F		8 xla	PL 1/2x8	2 7 <sup>3</sup> / <sub>8</sub>	FILE
2	K		4 xlaa	PL 1/2x9 1/4	2 3 <sup>3</sup> / <sub>8</sub>	

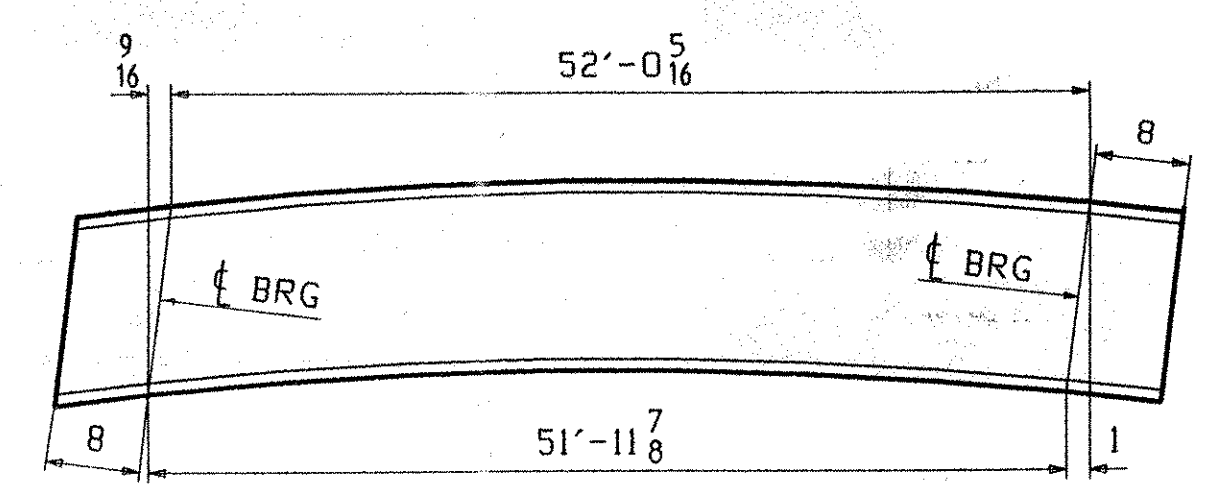


- ONE - STRINGER - 2G2A
  - ONE - STRINGER - 2G3A
  - ONE - STRINGER - 2G4A
  - ONE - STRINGER - 2G5A
- ALIKE EXCEPT FOR MARK

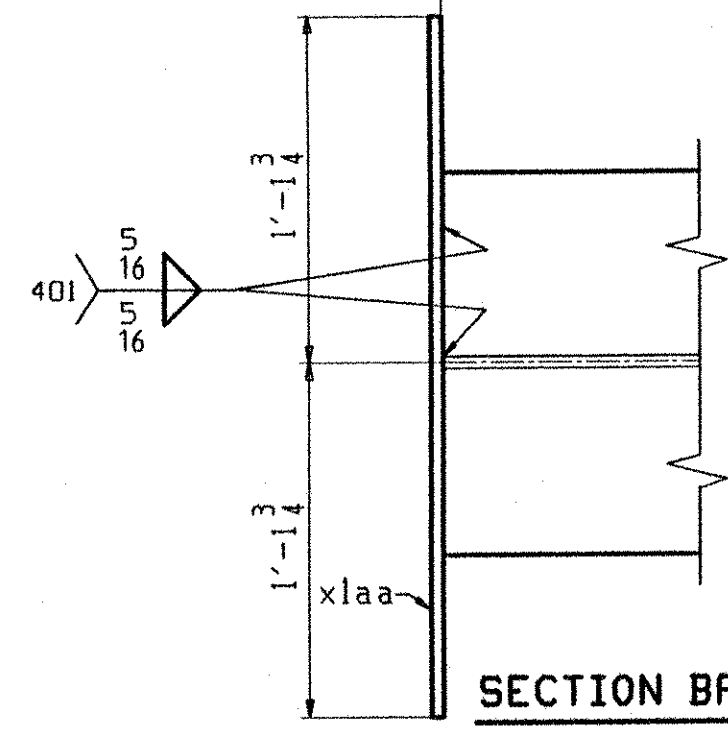
FOR STRINGER STANDARD DETAILS SEE DRAWING XI.  
 FOR CAMBER DIAGRAM SEE DRAWING CI.  
 FOR GENERAL NOTES SEE DRAWING GNI.  
 H2-3 DENOTES MATERIAL SUBJECT TO CHARPY V-NOTCH TESTING.



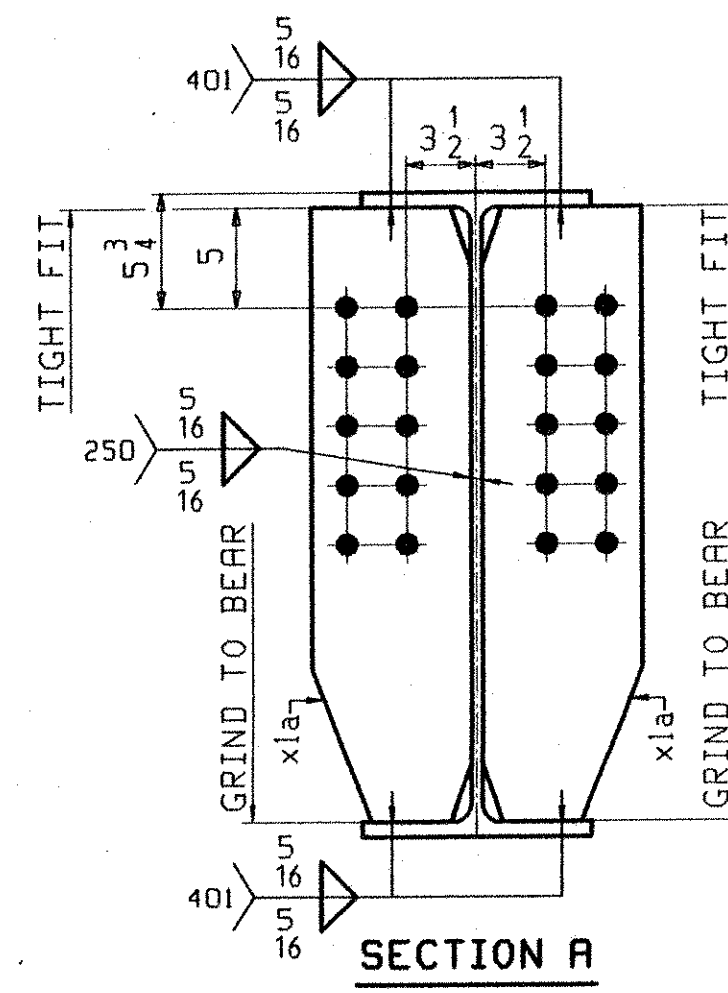
SECTION BB



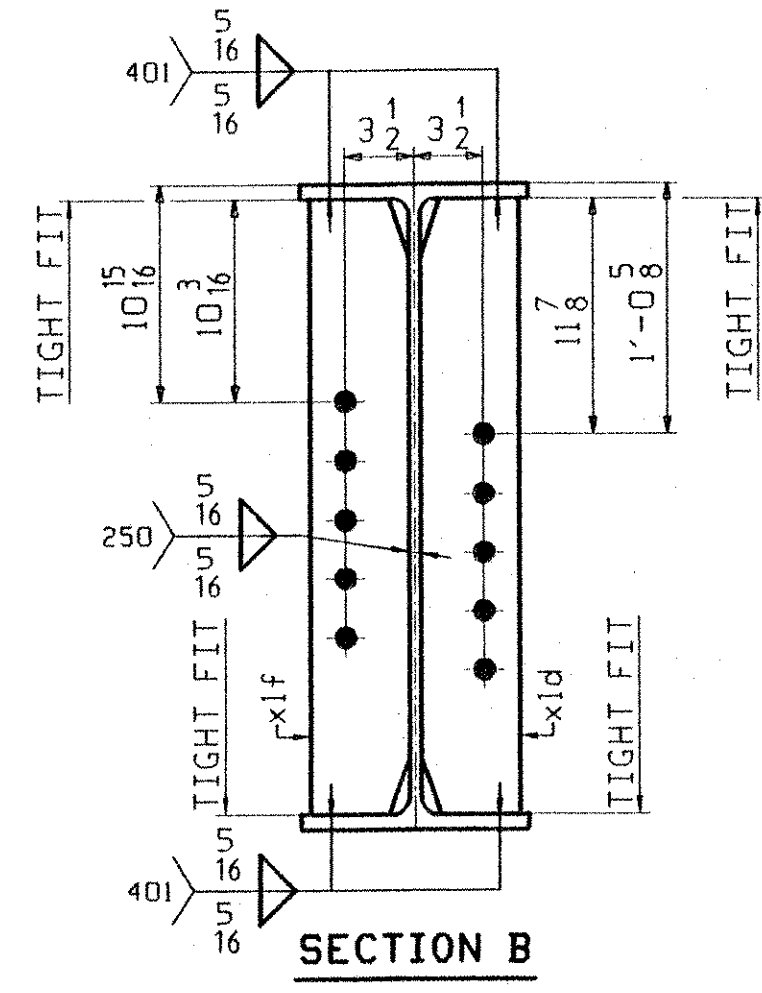
ORIENTATION DIAGRAM  
SEE DWG CI



SECTION BA



SECTION A



SECTION B

*APPROVED 4-8-04*

OUT FOR APPROVAL	3-18-04								
OUT FOR APPROVAL									
ISSUED TO SHOP	6-7-04								
FIELD & OFFICE									

REV.	REMARKS	DATE	DWN	CHK	APP	Q.A.	NO.	DIA.	LGT	TYPE	WASHER
	MATERIAL:										
	M270-50W										
	ELECTRODES:										
	HOLES:										
	15/16										
	SHOP BOLTS:										

SURFACE PREP. & PAINT:  
SEE DRAWING GNI

ALL STEEL WITHIN 6'-0 OF PIERS 1 & 2 SHALL BE PAINTED IN ACCORDANCE WITH THE NOTES ON GNI.

DESCRIPTION: STRINGERS - 2G2A, 2G3A, 2G4A, 2G5A	DRAWN BY	DATE
JOB: CENTER ST (ALT VT 122) OVER THE PASSUMPSIC RIVER	JTB	02/20
BRIDGE NO. 2, PROJ BHO 1447(26)	CHKD BY	
LYNDON, VT (CALEDONIA COUNTY)	LF	03/15
CONTRACTOR: AUSTIN CONSTRUCTION	APPROV BY	
PROJ NO. BHO 1447 (26)	SUPERVISOR	H. J. GATTI
CUSTOMER: VERMONT A. O. T.	Q.A.	

<b>CASCO BAY STEEL STRUCTURES, INC.</b>	JOB NO.	DRG. NO.
75 SPRING HILL ROAD SACO, MAINE 04072	227	2
PHONE (207) 282-7360 FAX. (207) 282-1179		REV. $\Delta$