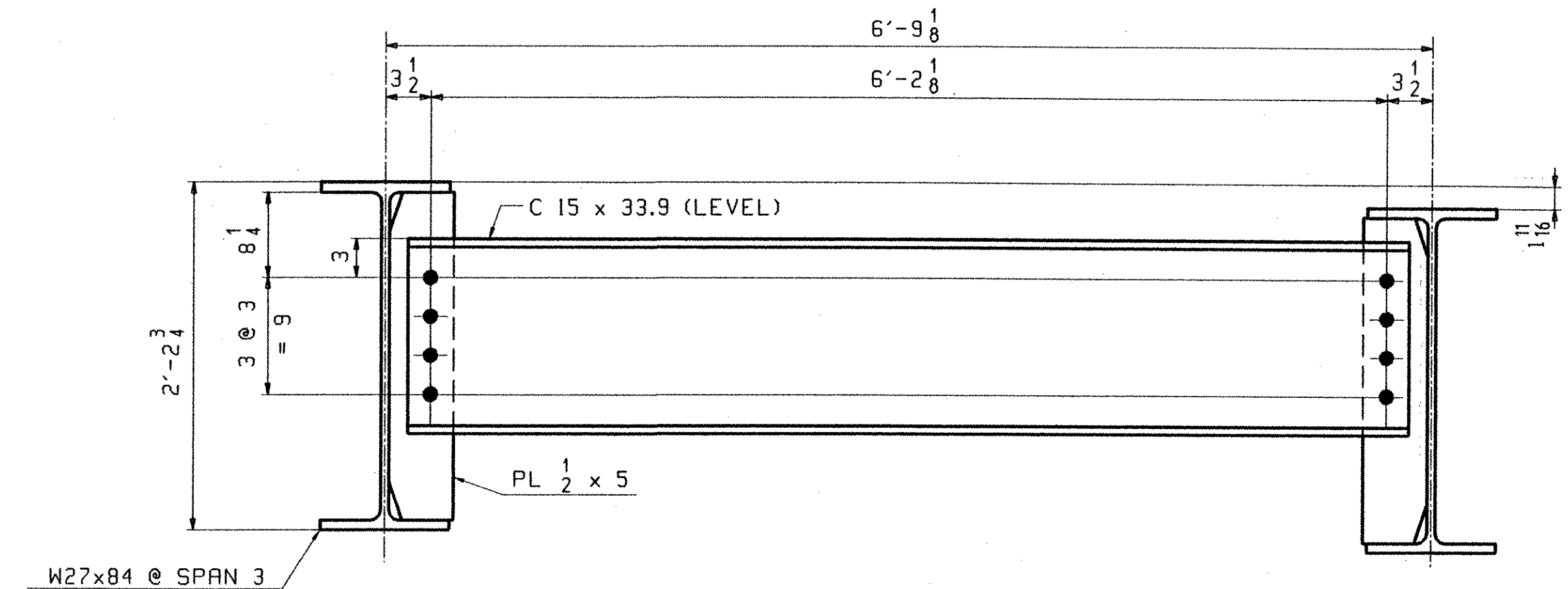
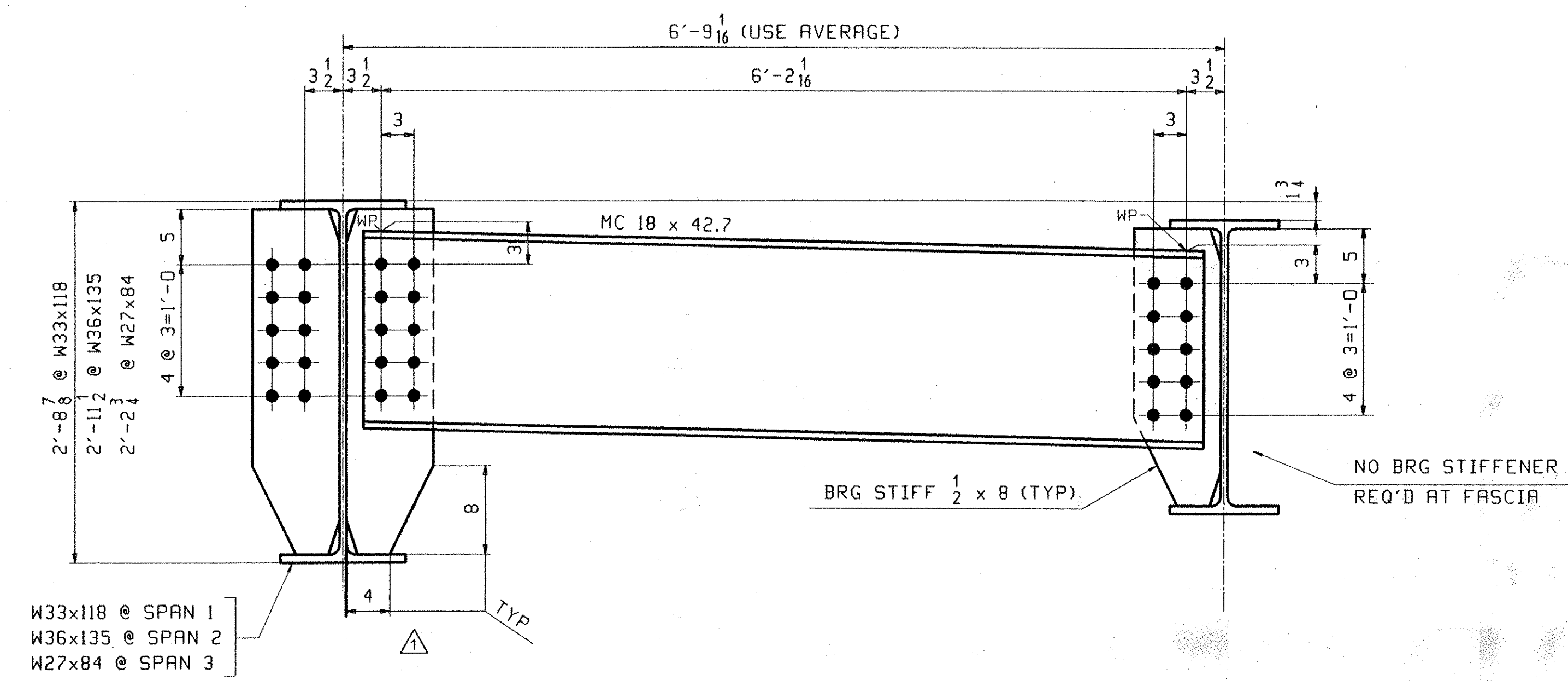


INTERMEDIATE DIAPH @ SPANS 1 & 2



INTERMEDIATE DIAPH @ SPAN 3



DIAPH @ PIERS 1 & 2

MATERIAL: M270-50W	ELECTRODES:	HOLES: 15/16" Ø	SHOP BOLTS: AS NOTED
SURFACE PREP. & PAINT: ALL STEEL WITHIN 6'-0" OF PIERS 1 & 2 SHALL BE PAINTED IN ACCORDANCE WITH THE NOTES ON GNI.			
DESCRIPTION: DIAPHRAGM LAYOUTS		DRAWN BY	DATE
JOB: CENTER ST (ALT VT 122) OVER THE PASSUMPSIC RIVER		WL	02/10
BRIDGE NO. 2, PROJ BHO 1447(26)		CHKD BY	
LYNDON, VT (CALEDONIA COUNTY)		JTB	02/19
CONTRACTOR: AUSTIN CONSTRUCTION		APPROV BY	
PROJ NO. BHO 1447 (26)		SUPERVISOR	W. J. GATTI
CUSTOMER: VERMONT A. O. T.		Q.A.	
<b>CASCO BAY STEEL STRUCTURES, INC.</b>		JOB NO.	DRG. NO.
75 SPRING HILL ROAD SACO, MAINE 04072		227	TD1
PHONE (207) 282-7360 FAX. (207) 282-1179		REV.	⚠

*APPROVED 4-8-01*

OUT FOR APPROVAL	3-18-04																			
ISSUED TO SHOP	6-7-04																			
FIELD & OFFICE																				
⚠ Appl comm	5/11	WL	LF																	
REV.	REMARKS	DATE	DWN	CHK	APP	Q.A.	NO.	DIA.	LGT	TYPE	WASHER									

05  
 Rev. 01 01/05/02 CDT 2004  
 /s/ [Signature] 2/25/11 Rev. 1