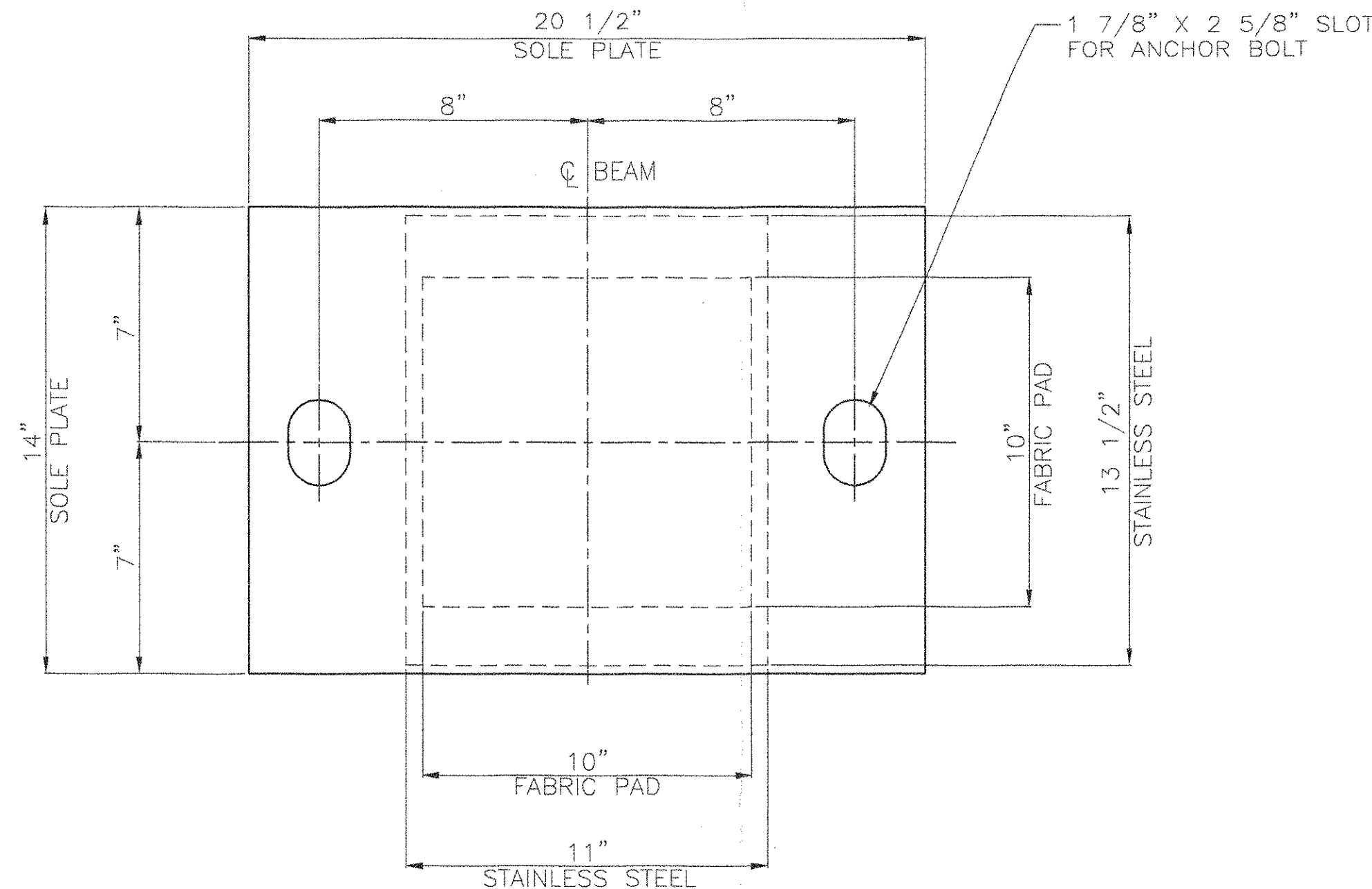
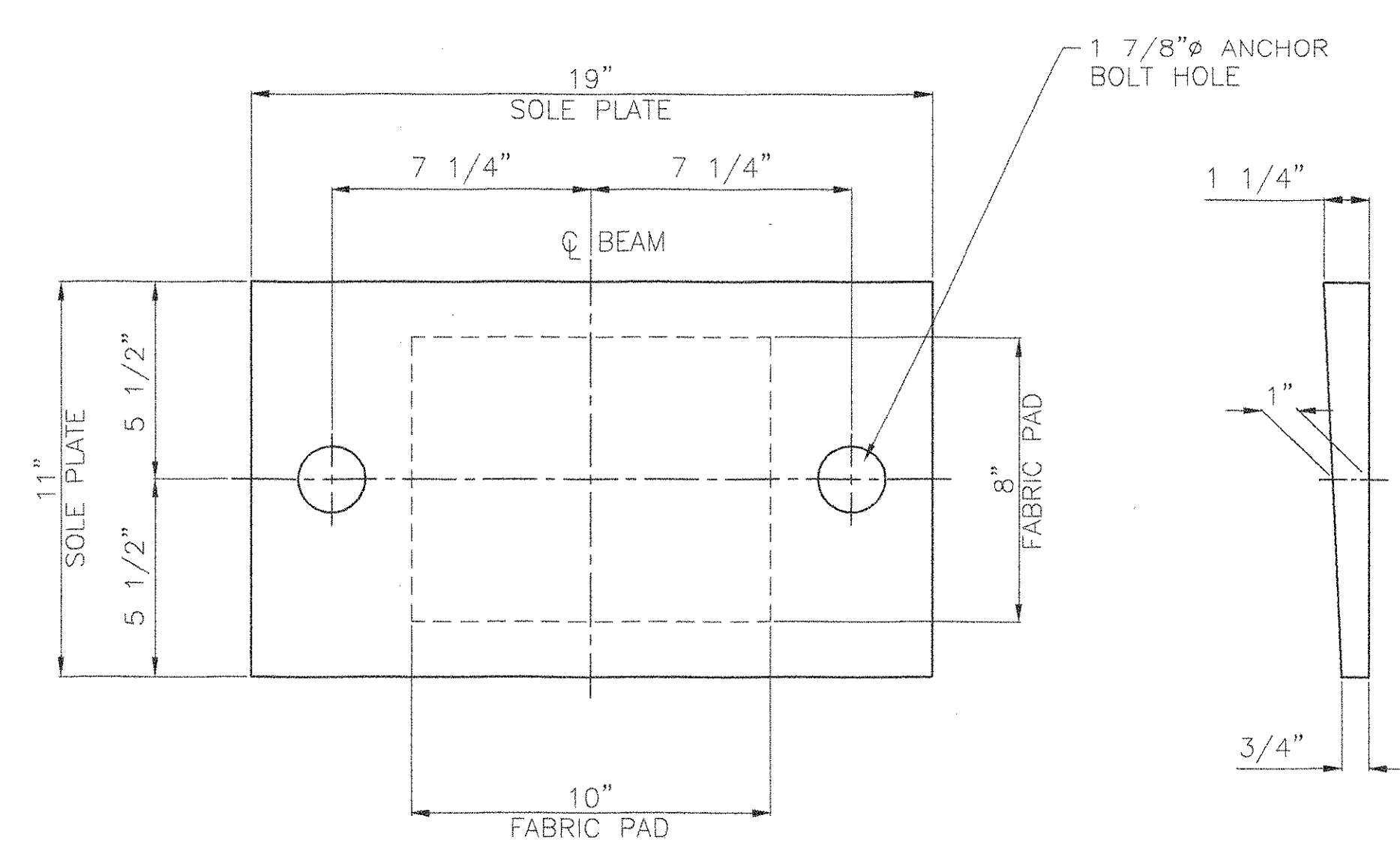


**PLAN**  
FIXED PREFORMED FABRIC PAD BEARINGS  
LOCATION: ABUTMENT 1  
QUANTITY: 6

**ELEVATION**

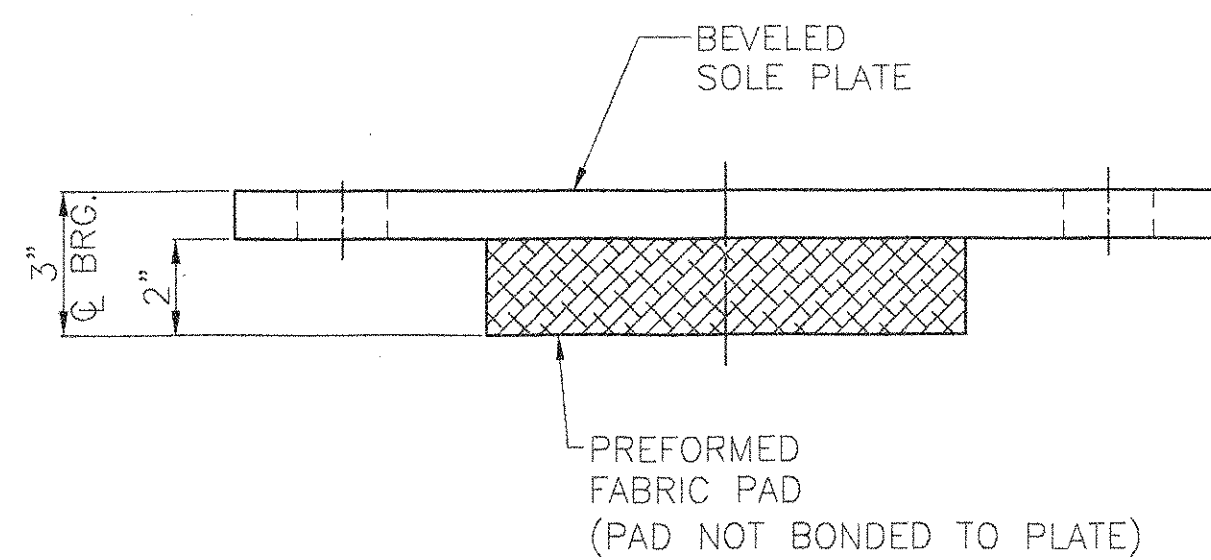


**PLAN**  
EXPANSION PREFORMED FABRIC PAD BEARING  
LOCATION: PIER 1  
QUANTITY: 6

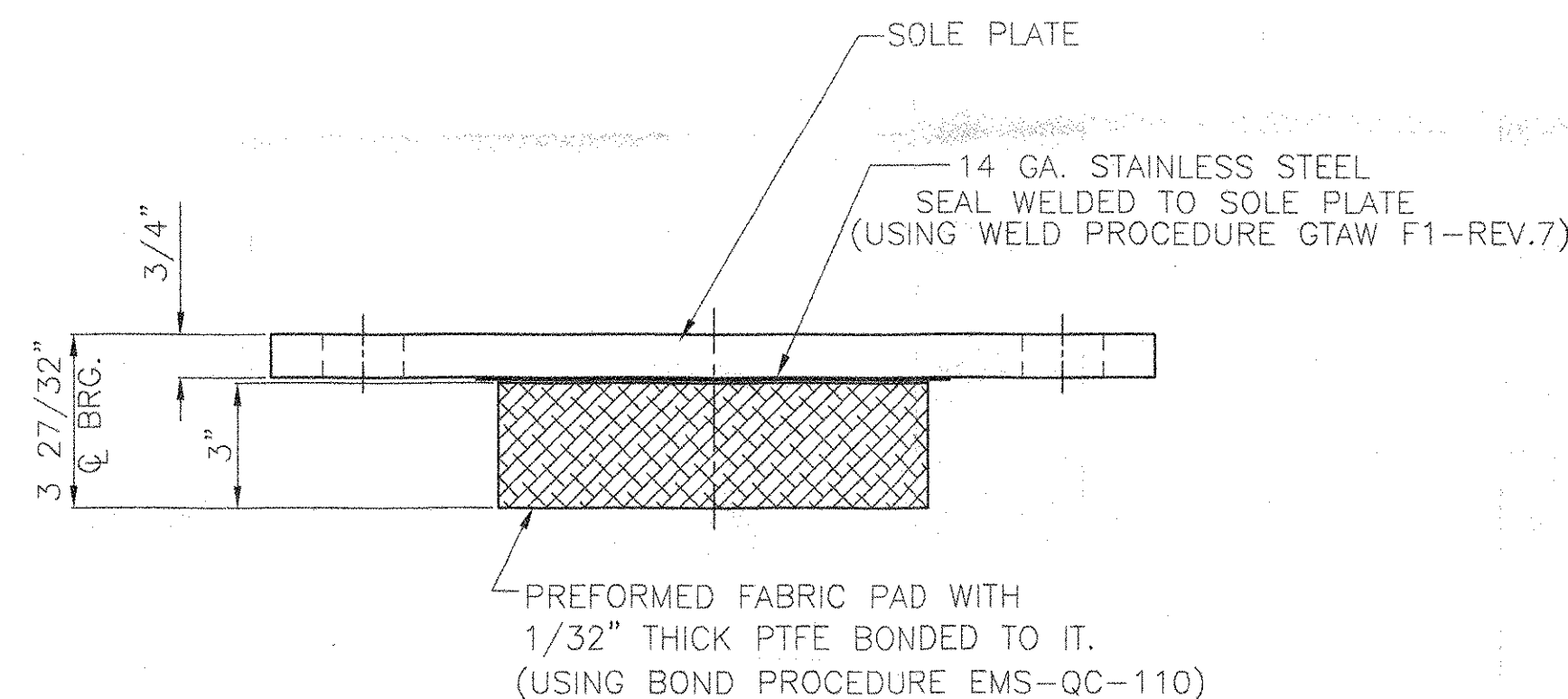


**PLAN**  
FIXED PREFORMED FABRIC PAD BEARING  
LOCATION: ABUTMENT 2  
QUANTITY: 6

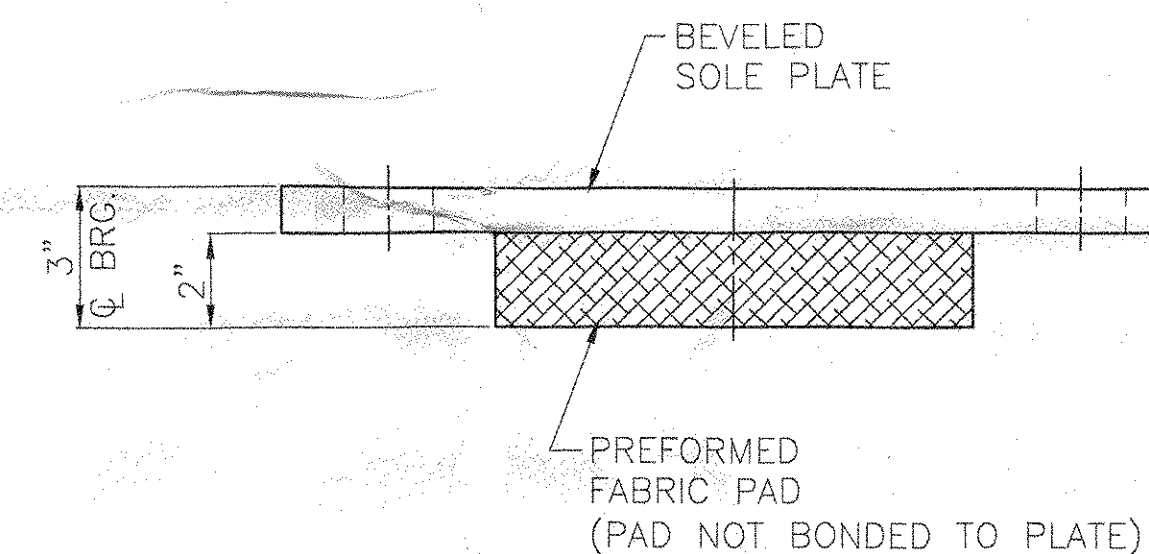
**ELEVATION**



**FRONT ELEVATION**



**FRONT ELEVATION**



**FRONT ELEVATION**

- Reviewed
- Rejected
- Furnish as Corrected
- Revise and Resubmit
- Submit Specified Item

The reviewer is only for general conformance with the design conditions and the information given in the Construction Documents. Corrections or comments made on the shop drawings during this review do not relieve the contractor from compliance with the requirements of the plans and specifications. Review of a specific item shall not include review of an assembly of which the item is a component. The Contractor is responsible for dimensions to be confirmed and correlated at the fabricator's information that pertains solely to the fabrication process or to the means, methods, techniques, sequences and procedures of construction; coordination of the Work with that of all other trades; and performing all work in a safe and satisfactory manner.

McFarland-Johnson, Inc.

Date 5-11-04

By *Stacy Z. Della*

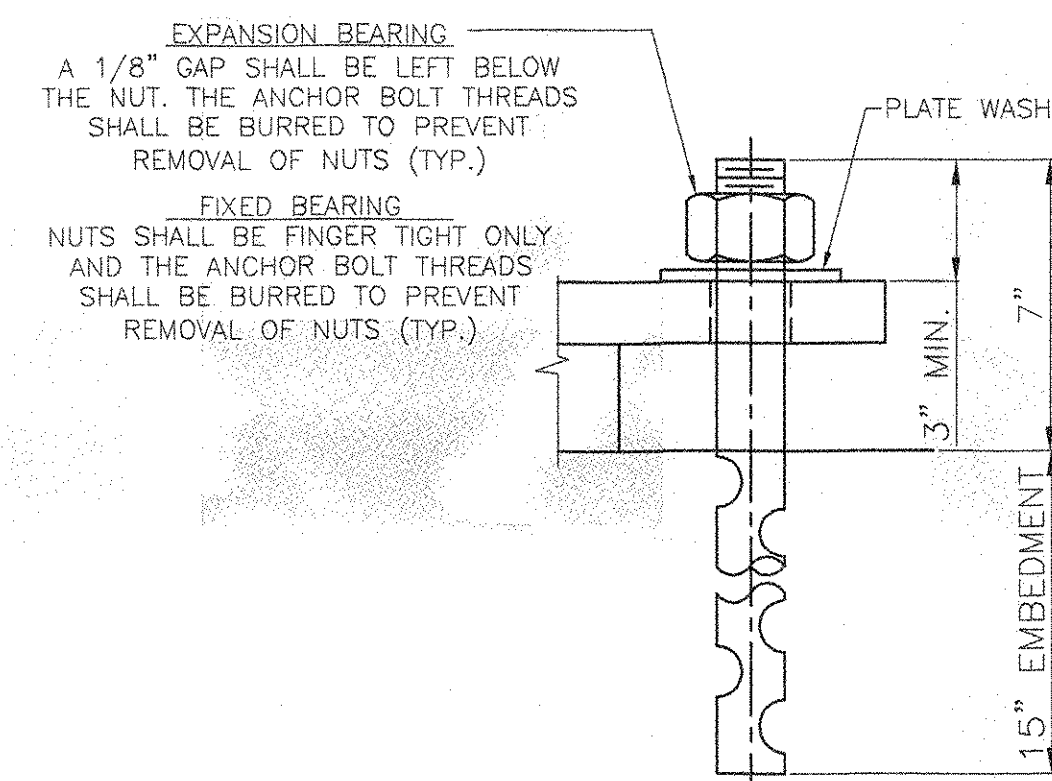
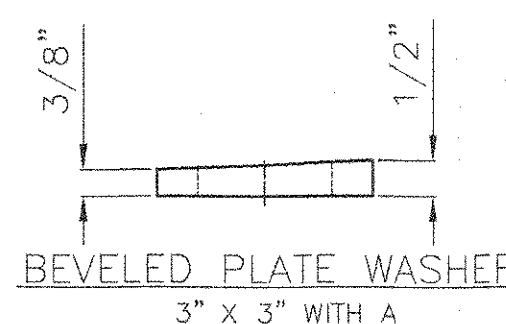
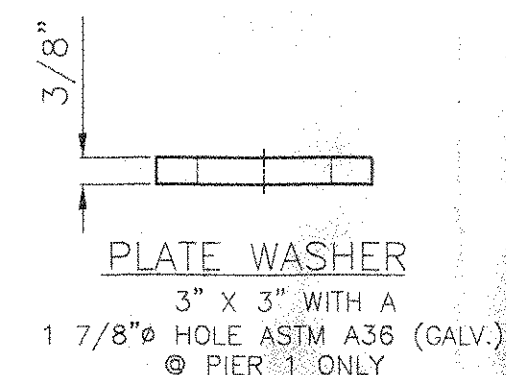
**BEARING NOTES**

1. ALL MATERIALS USED IN THE FABRICATION OF THESE BEARINGS SHALL BE MADE IN THE U.S.A.
2. BEARINGS ARE TO BE SHIPPED AS COMPLETE UNITS, STEEL Banded, AND SHALL BE WRAPPED TO PROTECT FROM MOISTURE AND DIRT DURING TRANSIT AND STORAGE.
3. LOCATION OF FABRICATION PLANT - 70 SOUTH STREET WALPOLE, MA. 02081
4. COSMEC, INC. REPRESENTATIVE - MR. MATT McANDREWS (508) 668-6600
5. BEARINGS SHALL BE STORED IN A CLEAN, DRY, LEVEL UPRIGHT POSITION.
6. ⊗ MARKS THE THICK END OF SOLE PLATE
7. ALL EDGES OF STEEL PLATES SHALL HAVE 1/16" MINIMUM RADIUS

**MATERIALS**

STEEL - ASTM A709 GR. 36 (AASHTO M270) ZINC METALIZED AND SEALED WITH AN APPROVED SEALANT.  
STAINLESS STEEL - ASTM A240 TYPE 304, WITH MIRROR FINISH  
PREFORMED FABRIC PAD - AASHTO DIV. II SPEC. 18.4.10.1  
PTFE - ASTM D1457 (UNFILLED)  
ANCHOR BOLTS, NUTS & WASHERS - SEE DETAIL

ALL BEARINGS DEVICES SHALL BE METALIZED AS PER SUBSECTIONS 531.04(b) AND 506.15(C) & (d). BEARINGS SHALL BE SEALED WITH AN APPROVED SEALER AS SPECIFIED IN STANDARD SPEC. SUBSECTION 506.15(b). AREAS OF METALIZING DAMAGED BY FIELD WELDING OR HANDLING SHALL BE PAINTED WITH AN APPROVED SEALANT IN ACCORDANCE WITH STANDARD SPEC. SUBSECTION 708.02(d).



**ANCHOR BOLT DETAIL**  
1 1/2" x 22" ASTM F1554 GRADE 55 SWEDGED ANCHOR BOLT WITH 4" OF THREADS ON ONE END. W/ ONE HEAVY HEX NUT (ALL GALV.)

STATE OF VERMONT  
AGENCY OF TRANSPORTATION  
HIGHWAY NUMBER ALT VT 122  
TOWN OF LYNDON  
CENTER STREET OVER PASSUMPSIC RIVER  
PROJECT NUMBER BHO1447 (26)  
BRIDGE NUMBER 2

**COSMEC, INC.**

70 SOUTH STREET  
WALPOLE, MA. 02081

SCALE: 1/4" = 1" DRAWN BY: RFC CHECKED BY: MCM  
DATE: 4-21-04 DATE: 4-26-04

COSMEC PREFORMED FABRIC PAD BEARINGS

REV.	BY:	DATE	CK'D BY:	DATE	CUSTOMER	S.O. NUMBER	DRAWING NUMBER	REV.
					AUSTIN CONSTRUCTION	60024	4155	