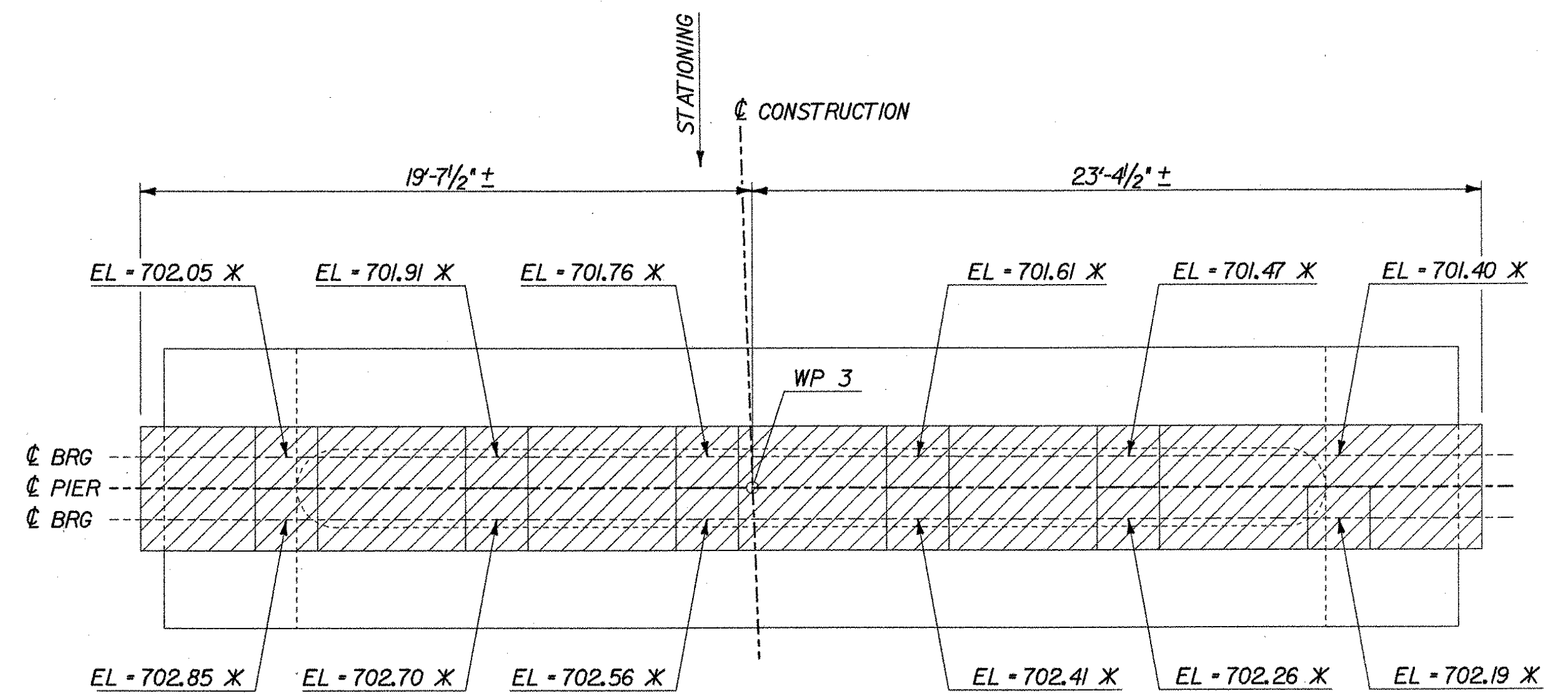
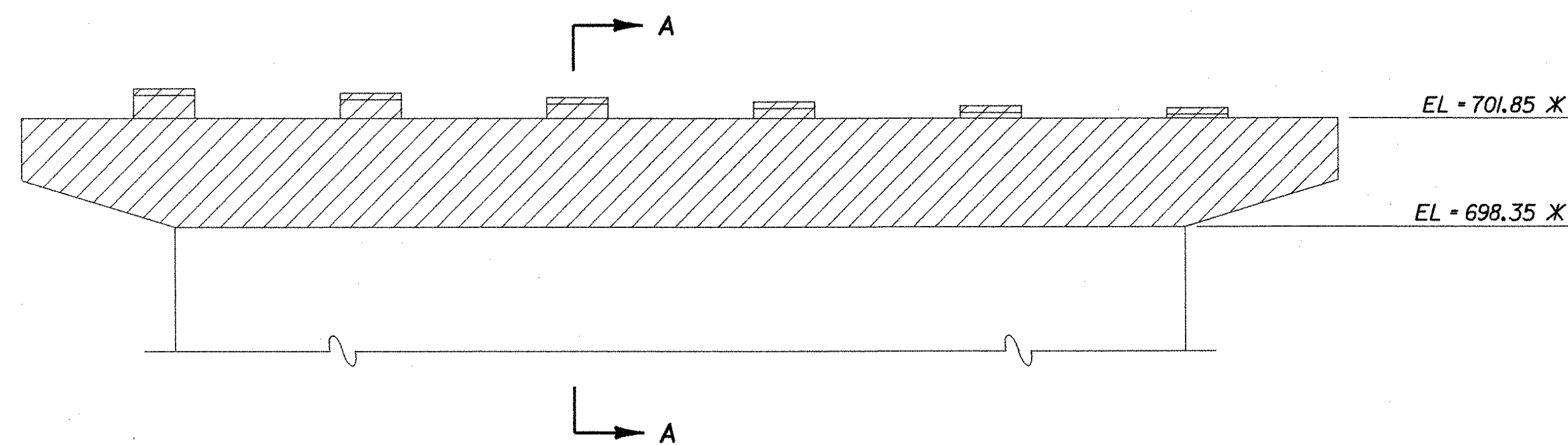


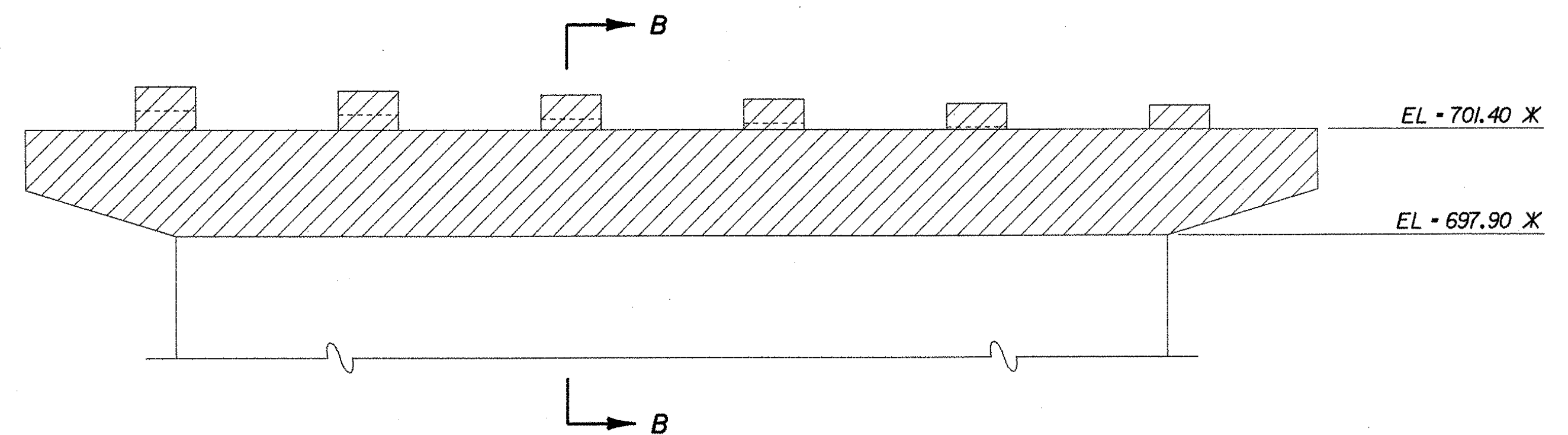
**PIER NO. 1 PLAN**  
SCALE: 1/4" = 1'-0"



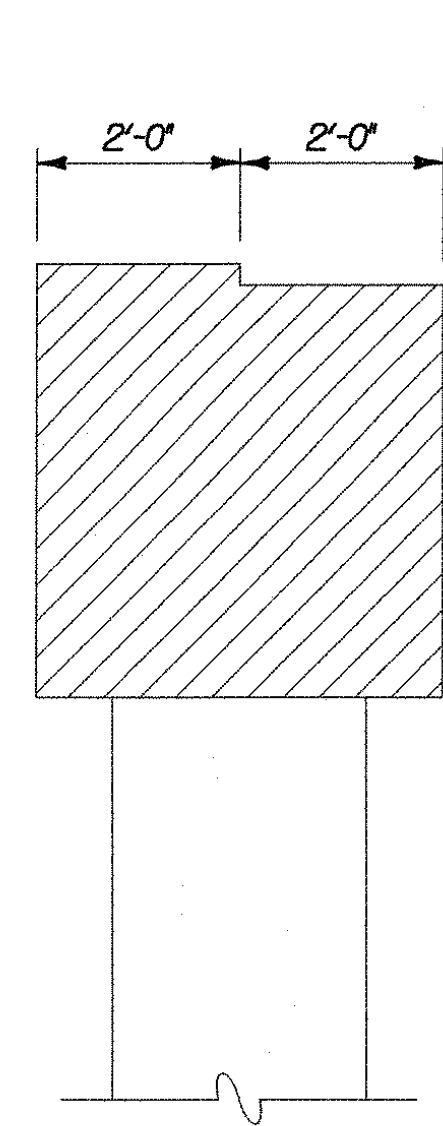
**PIER NO. 2 PLAN**  
SCALE: 1/4" = 1'-0"



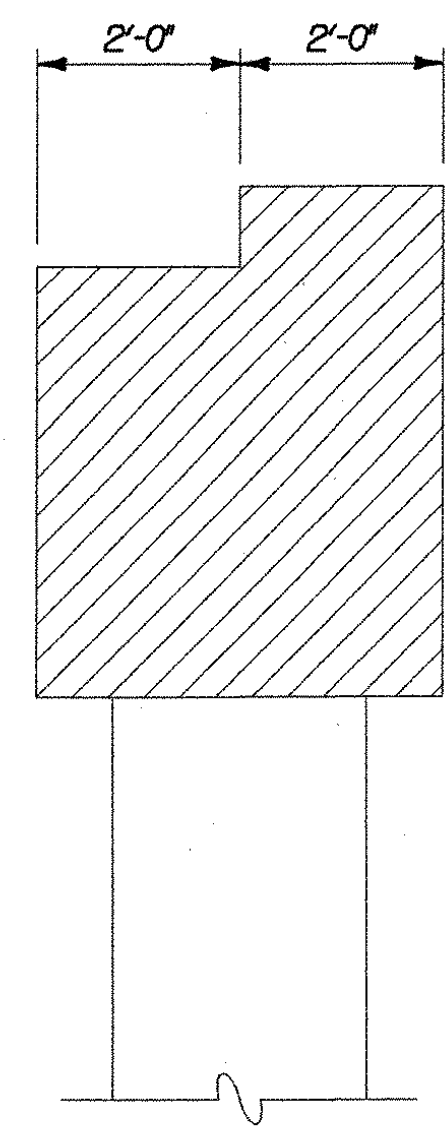
**PIER NO. 1 ELEVATION**  
SCALE: 1/4" = 1'-0"



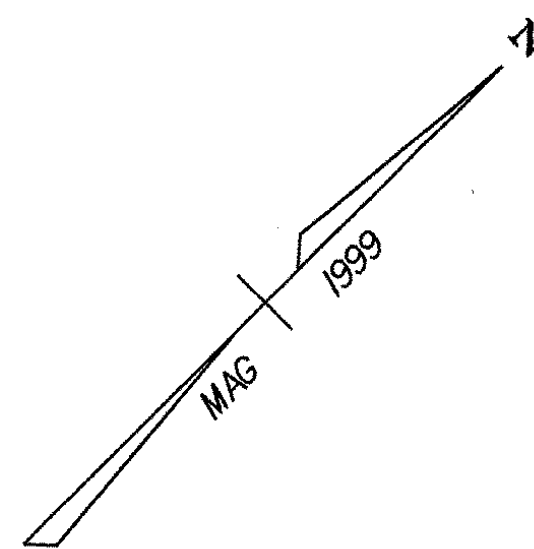
**PIER NO. 2 ELEVATION**  
SCALE: 1/4" = 1'-0"



**SECTION A-A**  
SCALE: 1/2" = 1'-0"



**SECTION B-B**  
SCALE: 1/2" = 1'-0"



**LEGEND**

X - APPROXIMATE EXISTING ELEVATION OR DIMENSION

REMOVAL OF EXISTING CONCRETE

**STATE OF VERMONT  
AGENCY OF TRANSPORTATION**

Town Of	LYNDON	Bridge No.	2
Highway No.	ALT VT 122	Log Sta.	
		Surv. Sta.	
<b>CENTER STREET OVER PASSUMPSIC RIVER PIER REMOVAL DETAILS</b>			
Designed By	T. GRANT	Drawn By	S. DELIA
Checked By	T. GRANT	Bridge Design Supervisor	M. ZYDEL
Date	10/01	Date	10/01
PROJECT	LYNDON	PROJECT NO.	BHO 1447(26)
I.G.C. Info.	m:\549103\6cont\zj238prp.dgn		
Bridge Sheet No.	Sheet 28 of 34		

