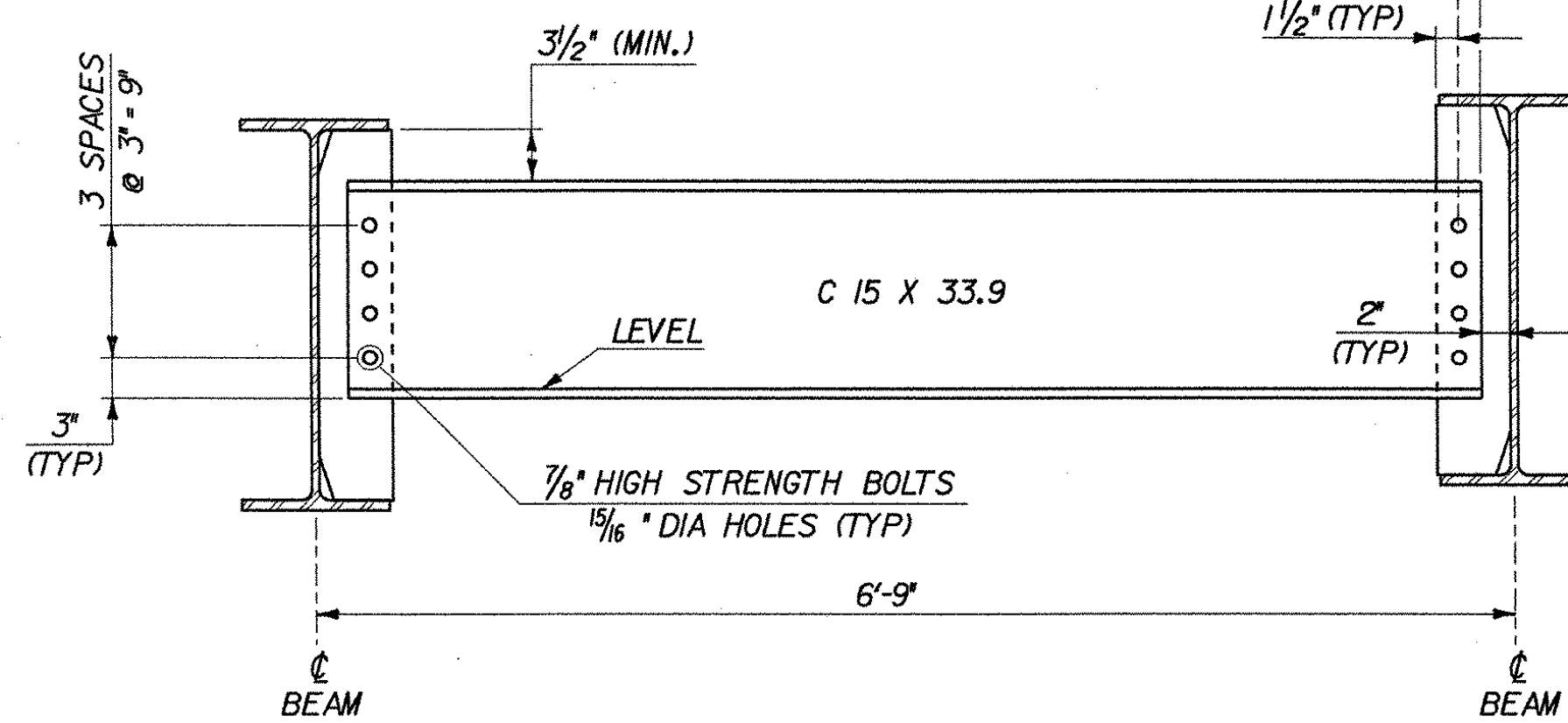


INTERMEDIATE DIAPHRAGMS FOR W33 X 118 AND W36 X 135 BEAMS

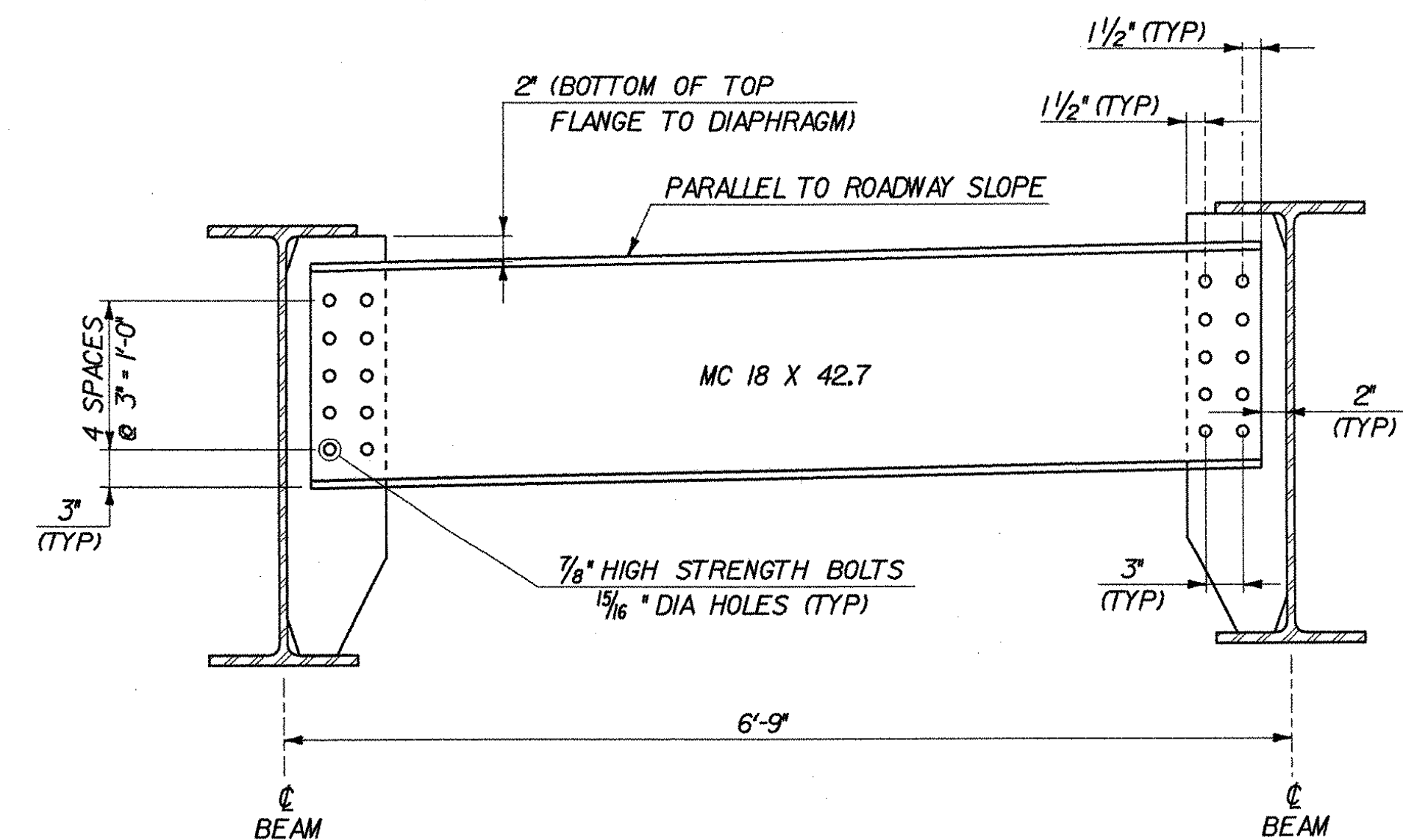
SCALE: 1" = 1'-0"

(W36 X 135 SHOWN, W33 X 118 SIMILAR)



INTERMEDIATE DIAPHRAGMS FOR W27 X 84 BEAMS

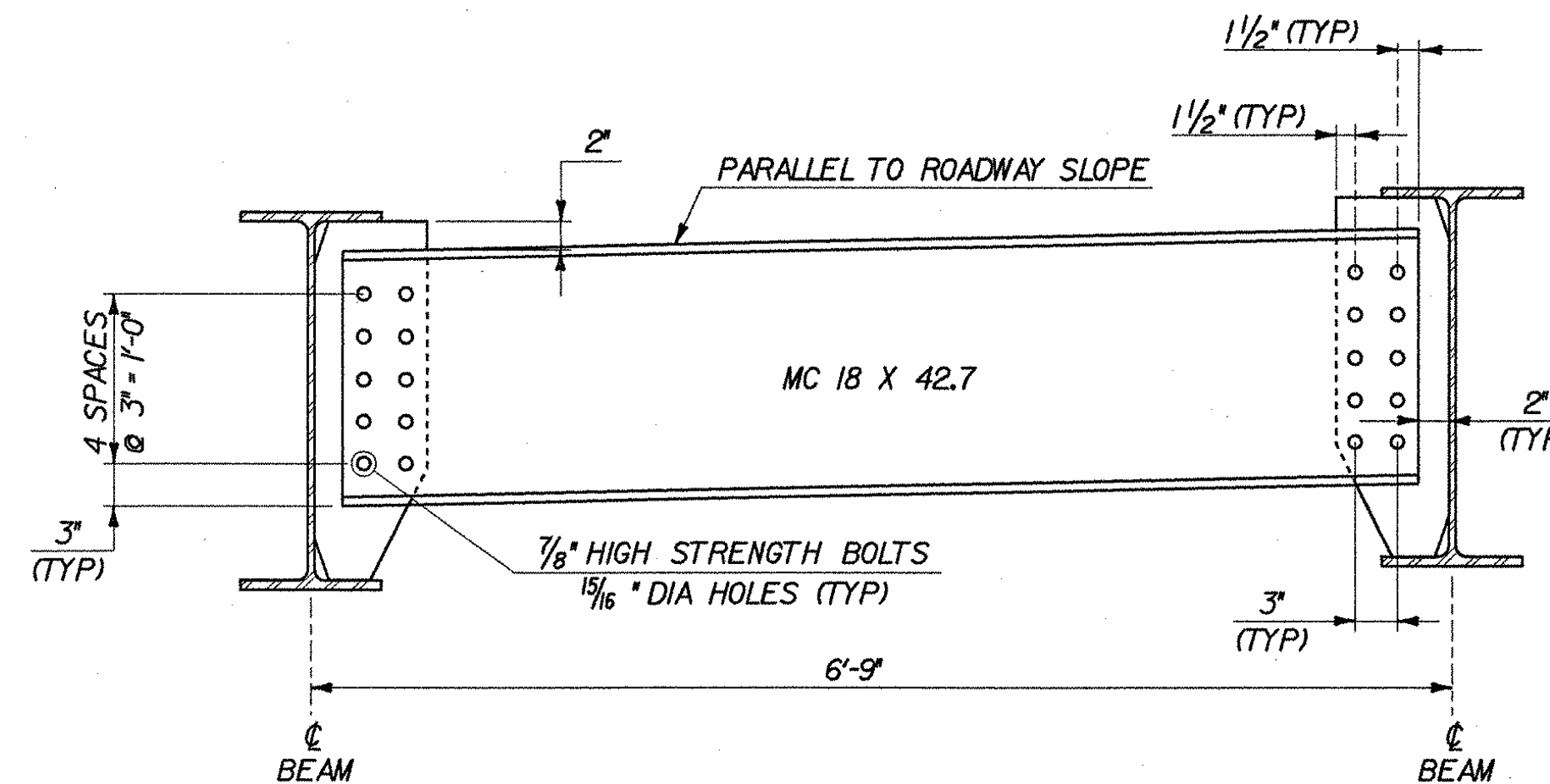
SCALE: 1" = 1'-0"



PIER DIAPHRAGMS FOR W33 X 118 AND W36 X 135 BEAMS

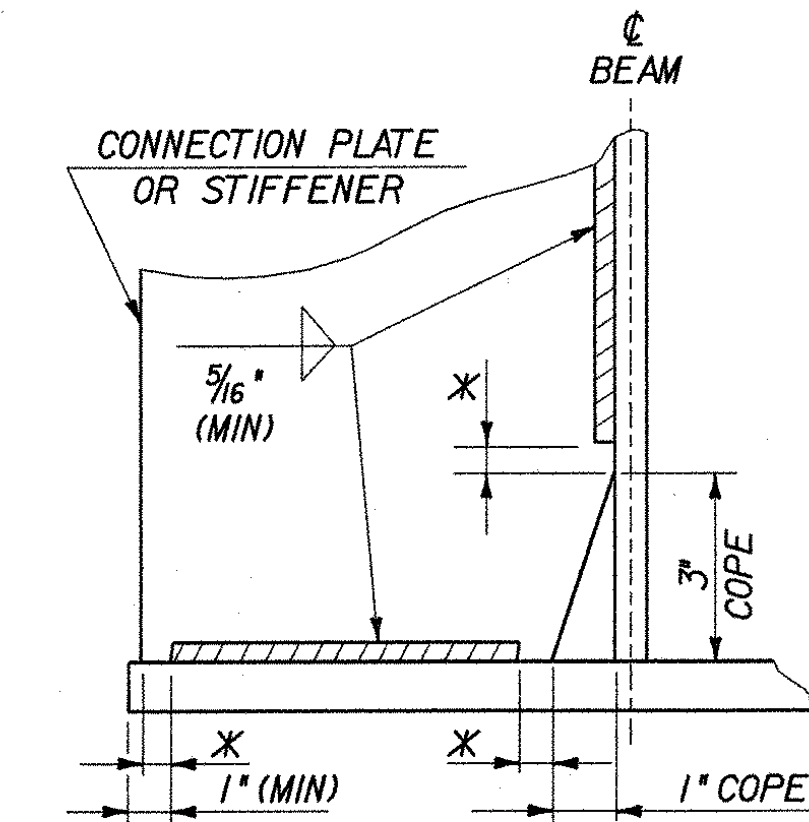
SCALE: 1" = 1'-0"

(W36 X 135 SHOWN, W33 X 118 SIMILAR)



PIER DIAPHRAGMS FOR W27 X 84 BEAMS

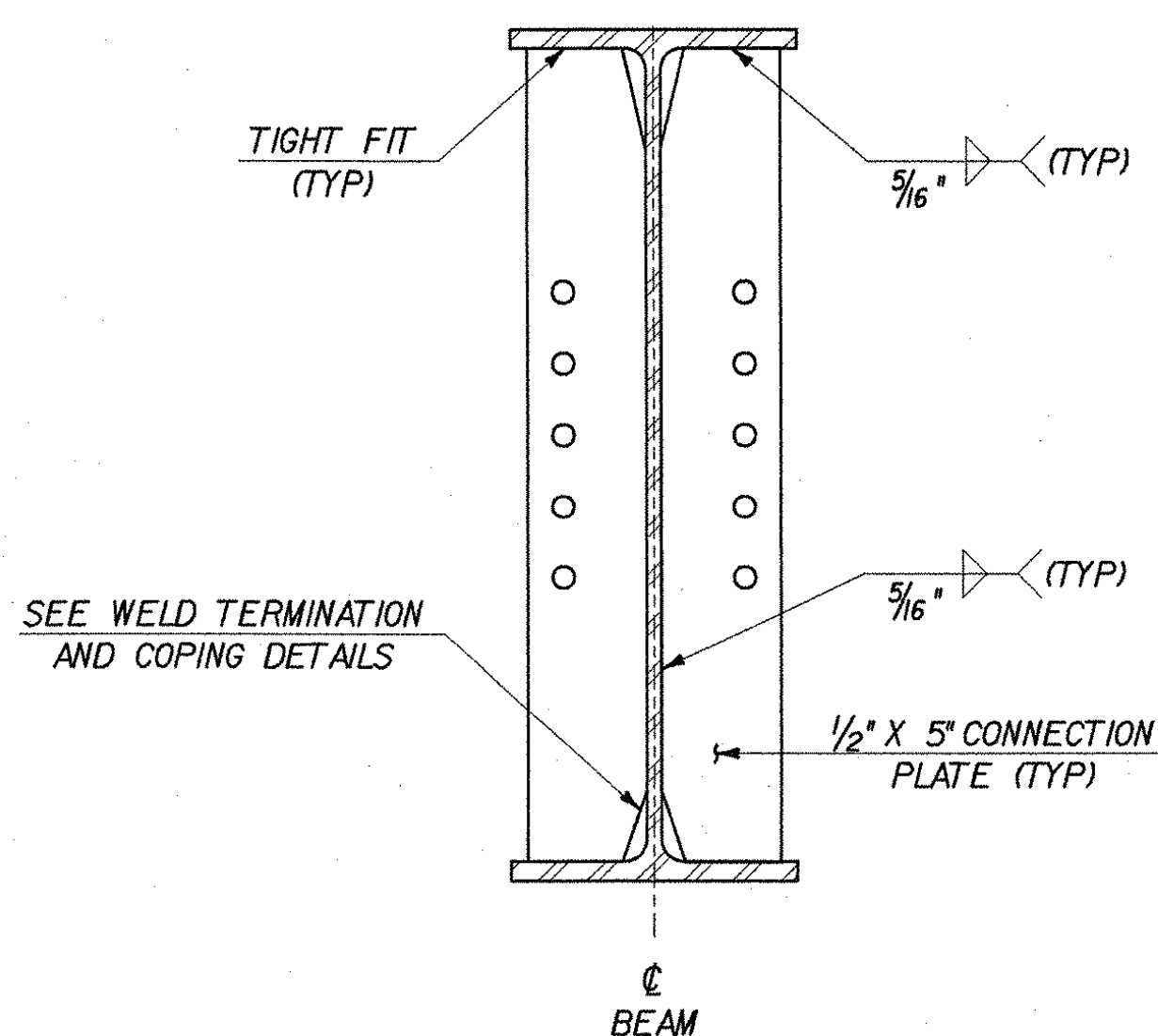
SCALE: 1" = 1'-0"



* NO WELD FOR 1/4" (MIN) 1/2" (MAX) (EXCEPT MUST MAINTAIN 1" (MIN) FROM EDGE OF FLANGE)

WELD TERMINATION AND COPING DETAILS

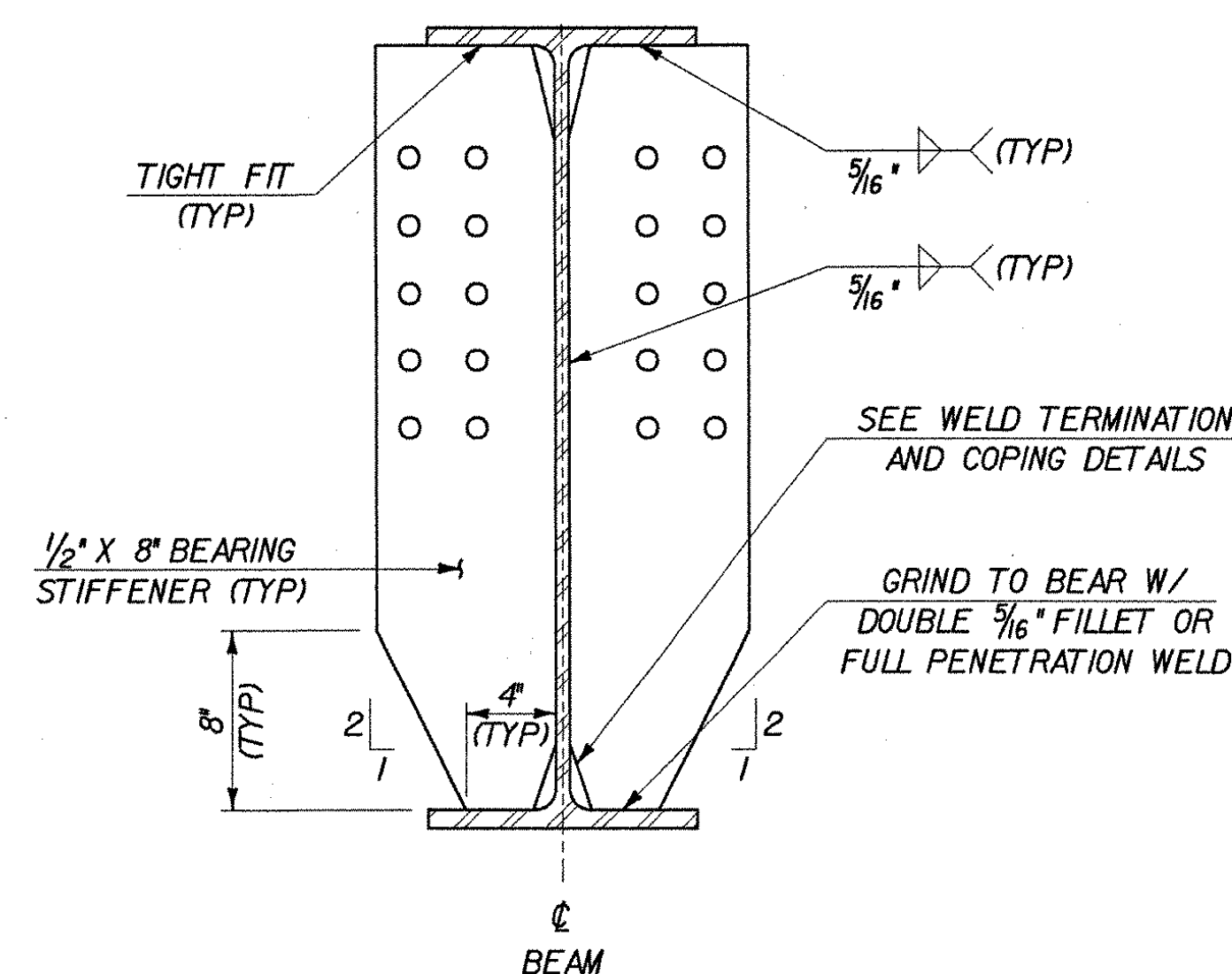
NOT TO SCALE



INTERMEDIATE CONNECTION PLATE DETAIL

SCALE: 1/2" = 1'-0"

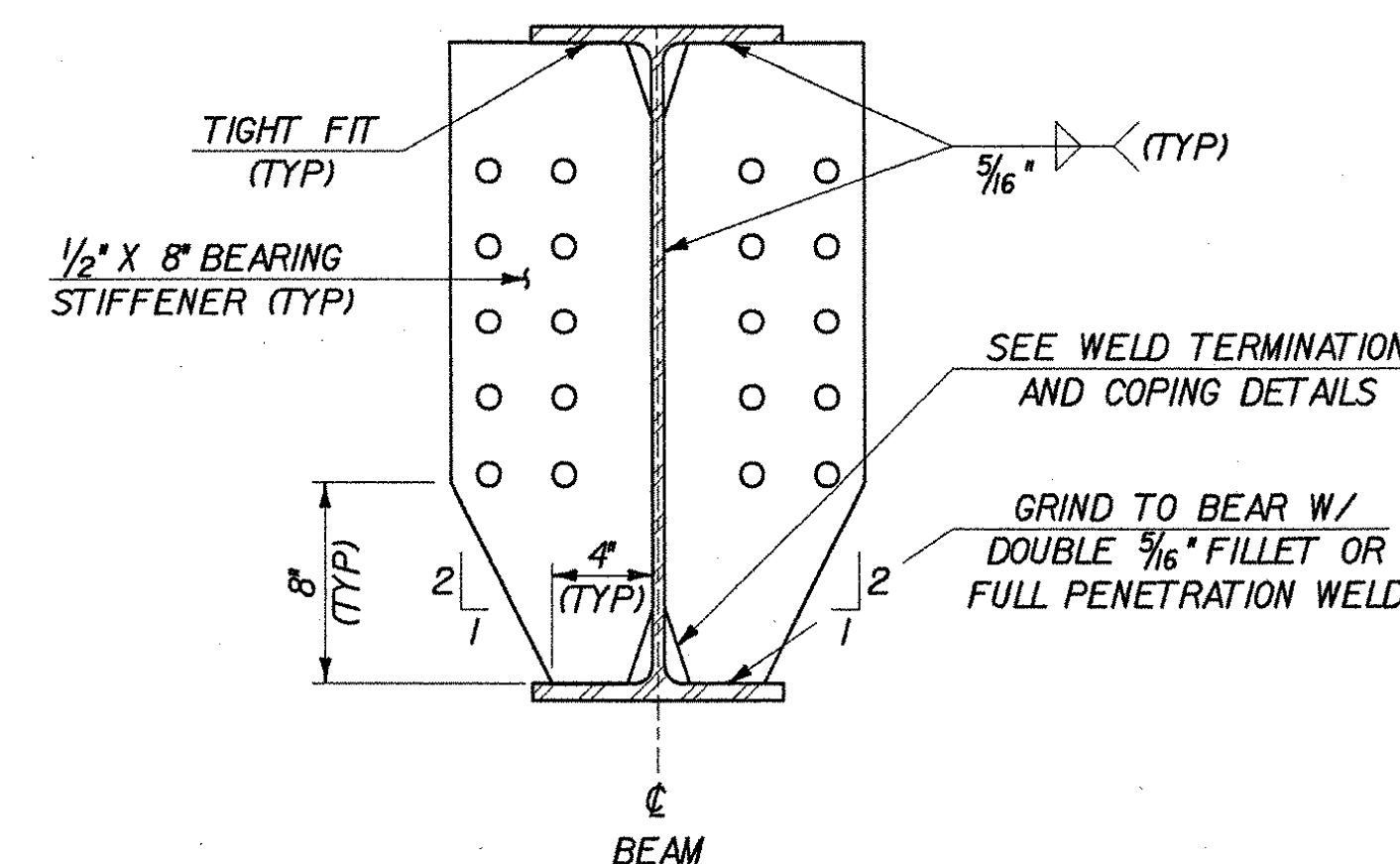
(PLATE SHOWN ON W36 X 135 BEAM, W33 X 118 AND W27 X 84 SIMILAR)



PIER BEARING STIFFENER DETAIL FOR W33 X 118 AND W36 X 135 BEAMS

SCALE: 1/2" = 1'-0"

(STIFFENER SHOWN ON W36 X 135 BEAM, W33 X 118 SIMILAR)



PIER BEARING STIFFENER DETAIL FOR W27 X 84 BEAMS

SCALE: 1/2" = 1'-0"

STATE OF VERMONT AGENCY OF TRANSPORTATION

Town Of	LYNDON	Bridge No.	2
Highway No.	ALT VT 122	Log Sta.	
		Surv. Sta.	
CENTER STREET OVER PASSUMPSIC RIVER			
DIAPHRAGM DETAILS			
Designed By	T. GRANT/S. MERKMAN	Drawn By	S. DELIA/S. MERKMAN
Checked By	T. GRANT/R. WOOD	Date	10/01
		Bridge Design Supervisor	M. ZYDEL
		Date	10/01
PROJECT	LYNDON	PROJECT NO.	BHO 1447(26)
I.G.C. Info.	m:\5491036con\z\238sdt.dgn		
Bridge Sheet No.		Sheet	24 of 34